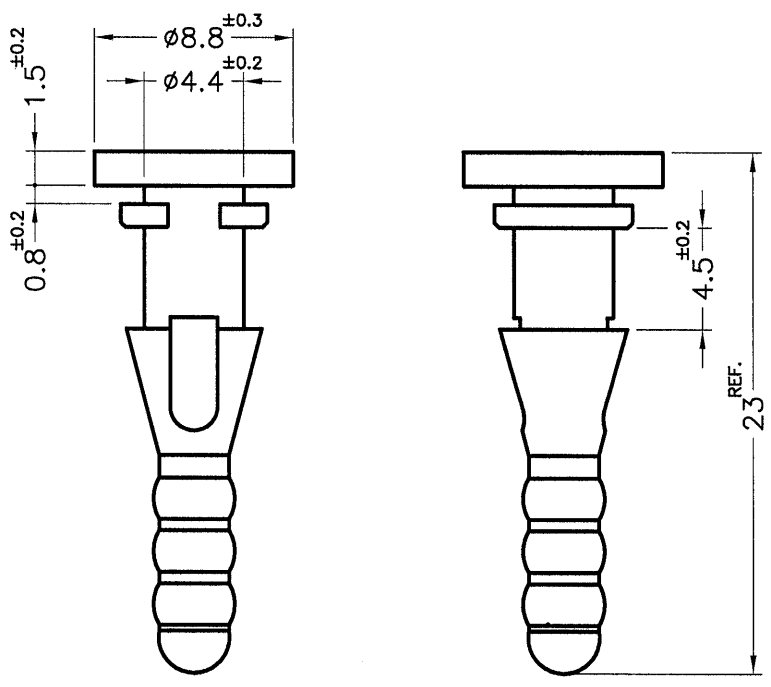


REVISIONS			
REV	DESCRIPTION	DATE	BY



FANS MOUNTING HOLE $\phi 4.3\text{mm}$
 CHASSIS MOUNTING HOLE $\phi 4.4\text{mm}$

PART NO.	HARDNESS
BUB-23G	$45^{\circ} \pm 10^{\circ}$
BUB-23H	$55^{\circ} \pm 10^{\circ}$
BUB-23(755)	$57^{\circ} \pm 10^{\circ}$

NOTE: 1. SHRINKING IS NORMAL STATUS.
 內縮屬正常現象。
 2. MADE OF EQUIVALENT MATERIAL.
 可使用同等材質。

<p>康揚企業股份有限公司 KANG YANG HARDWARE ENTERPRISE CO., LTD. 康揚塑膠(東莞)有限公司 KANG YANG PLASTIC(DONG GUAN) CO., LTD. 康哲電腦配件(吳江)有限公司 KANG CHEE COMPUTER COMPONENTS(WUJIANG) CO., LTD.</p>		TITLE	FAN SNAP RIVET	SPEC. DWG.			
		MATERIAL	TPE	DATE	2005.01.19		
		HARDNESS	SEE ABOVE	DRAWN	S.J.C.		
		COLOR	BLACK	CHECK			
PART NUMBER	SEE ABOVE	DRAWING NUMBER	BUB-23	UNLESS OTHERWISE SPECIFIED TOLERANCE	SEE ABOVE	APPROVED	
SIZE	A4	SCALE	3:1	UNIT	mm	REV	C