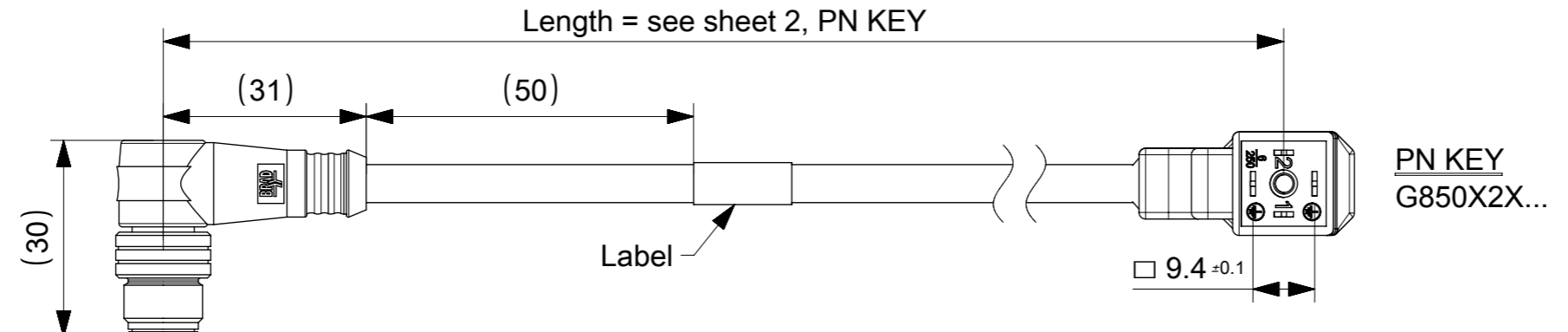
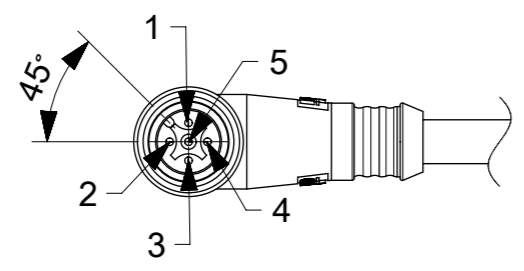
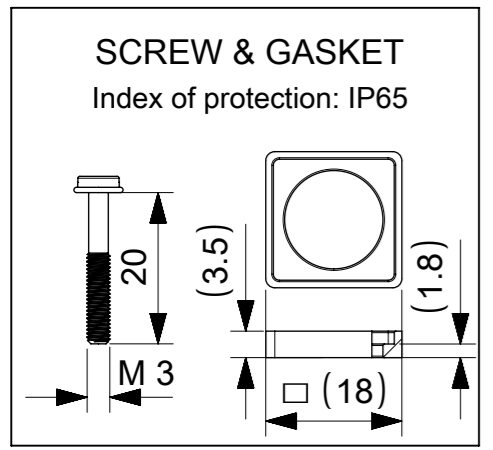


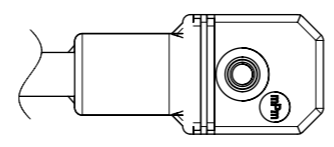
PN KEY
G850X0X...



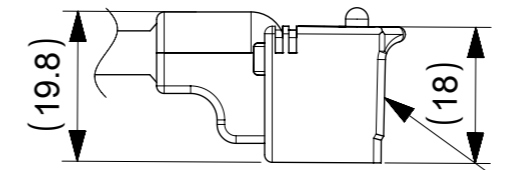
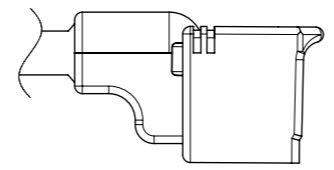
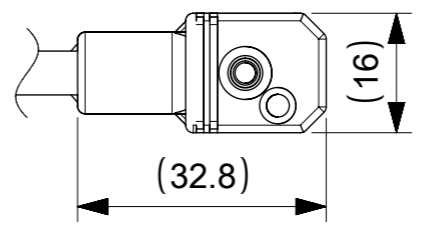
PN KEY
G850X2X...



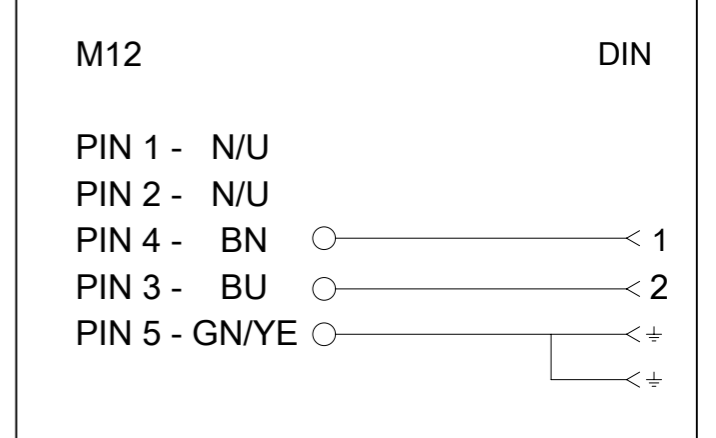
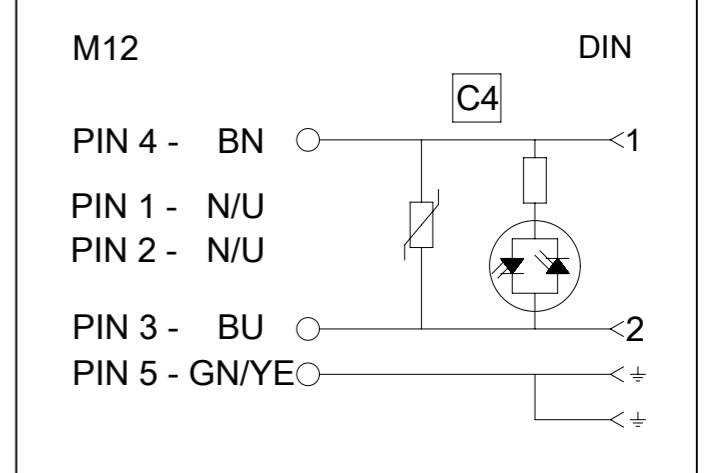
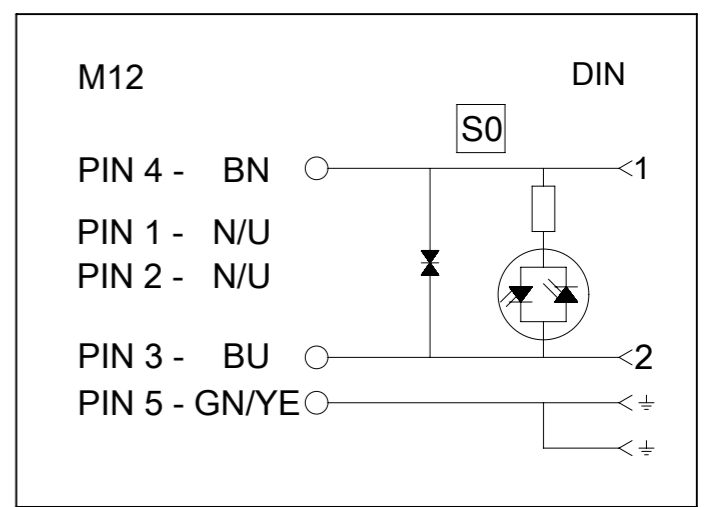
DIN Connector views
for PNs without LED



DIN Connector views
for PNs with LED



ELECTRICAL DIAGRAMS



BILL OF MATERIALS

ITEM	QTY.	DESCRIPTION
12	0/2	I/D CARRIER
11	0/1	PCB
10	1	GASKET
9	1	SCREW
8	4	CONTACT DIN
7	1	INSERT DIN MICRO
6	-	MOULDING MATERIAL PP
5	5	CONTACT MALE
4	1	M12 COUPLING NUT MALE
3	1	M12 INSERT 5P MALE
2	-	MOULDING MATERIAL TPU
1	-	CABLE

RELEASE STATUS P1 RELEASE DATE 31.10.2017 07:50:26

Electrical diagram & mPm logo printed in white

THIS DRAWING CONTAINS INFORMATION THAT IS PROPRIETARY TO MOLEX ELECTRONIC TECHNOLOGIES, LLC AND SHOULD NOT BE USED WITHOUT WRITTEN PERMISSION

QUALITY SYMBOLS A = 0 E = 0 F = 0 G = 0 H = 0 I = 0 J = 0 K = 0 L = 0 M = 0 N = 0 O = 0	EC NO: 167233 DRWN: APAWLAK01 CHK'D: MIWASIECZKO APPR: MIWASIECZKO	2017/10/18 2017/10/31	GENERAL TOLERANCES (UNLESS SPECIFIED) ANGULAR TOL ± ° 4 PLACES ± 3 PLACES ± 2 PLACES ± 1 PLACE ± 0 PLACES ±	DIMENSION UNITS: mm SCALE: 1:1 DRWN BY: APAWLAK01 DATE: 2017/10/18 CHK'D BY: MIWASIECZKO DATE: 2017/10/31 APPR BY: MIWASIECZKO DATE: 2017/10/31	 G850 DIN MICRO / MMC 5P MM PRODUCT CUSTOMER DRAWING SERIES: 121036 MATERIAL NUMBER: SEE 1210360510 PDP CUSTOMER: GENERAL MARKET DOCUMENT NUMBER: 1210360510 DOC TYPE: PSD DOC PART: 000 SHEET NUMBER: 1 OF 2
	DRAFT WHERE APPLICABLE MUST REMAIN WITHIN DIMENSIONS	DRAWING SIZE: A3 THIRD ANGLE PROJECTION			

ENGINEERING NO. - NUMERICAL CODE (Available parts see PART LIST table. Others parts available upon request).

OPTIONS

G 8 5 0 X X X X X X X X X X

G=Form Micro (9.4mm contact spacing)

8=MMC M12 Connector

5=5 Poles

0=Default Standard Wiring

Cable type: See Table

Units: M=Meter

Length Examples:
005=0.5 units
010=1 units
100=10 units

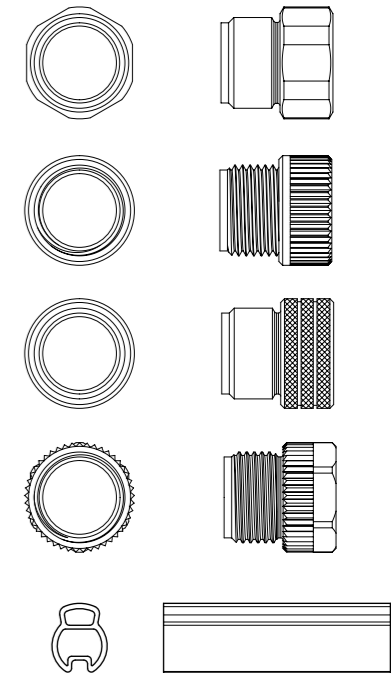
Overmold color:
Blank (Standard)=Black
A=Grey / G=Black / Y=Yellow

Coupling Nut:
Blank (Standard)=Knurled Brass Ni Plated
1=Hexagonal Stainless steel
5=Knurled Derlin
7=Knurled Brass Ni Plated, Teflon Coated
9=Knurled / Hexagonal Brass Ni Plated

H= 2 pcs. of I/D Carrier PVC Transparent (Cables Ixx & P82 always with 2 pcs. I/D Carrier)

Electrical configuration:
0 = Without circuit
A = S0 24V Yellow LED
B = C4 24V Yellow LED
C = S0 110V Yellow LED
D = C4 110V Yellow LED
E = S0 24V Green LED
F = C4 24V Green LED
G = S0 110V Green LED
H = C4 110V Green LED
J = S0 24V Red LED
K = C4 24V Red LED
L = S0 110V Red LED
M = C4 110V Red LED
S = C4 230V Yellow LED

DIN Earth Position - o'clock & M12 connector body:
0 = Earth H6/H12, Male Straight
2 = Earth H6/H12, Male Right Angle



CABLE TYPE	NO. OF WIRES	CROSS SECTION	CABLE JACKET	UL	CSA	STATIC: TEMP. / BENDING RADIUS	DYNAMIC: TEMP. / BENDING RADIUS	SHIELD
A58	3	20AWG	PVC BLACK	UL 2661	C22.2 II A 105°C/300V	-30°C to +105°C, 10xO.D.	-5°C to +105°C, 15xO.D.	-
B31	3	0.50mm ²	WSOR BLACK	UL 21215	-	-	-25°C to +80°C, 7.5xO.D.	-
E03	3	0.34mm ²	PVC BLACK	UL 2464	CSA C22.2	-30°C to +80°C, 10xO.D.	-10°C to +80°C, 15xO.D.	-
E12	3	0.50mm ²	PVC BLACK	-	-	-20°C to +70°C, 3xO.D.	-15°C to +70°C, 5xO.D.	-
I12	3	0.50mm ²	CEI PVC GREY	-	-	-25°C to +70°C, 10xO.D.	-5°C to +70°C, 15xO.D.	-
P12	3	0.50mm ²	PUR BLACK	-	-	-40°C to +90°C, 7.5xO.D.	-15°C to +90°C, 12.5xO.D.	-

Over	Up to and including	Tolerance
0	1000	±20
1000	3000	±30
3000	5000	±40
5000	10000	±50
10000	15000	±100
15000	20000	±150
20000		±L/100

- Notes:
1. Please see excel sheet 1210360510_PDP for currently configured part numbers.
2. Drawing is a replacement for SD-121036-003

RELEASE STATUS P1 RELEASE DATE 31.10.2017 07:50:26

THIS DRAWING CONTAINS INFORMATION THAT IS PROPRIETARY TO MOLEX ELECTRONIC TECHNOLOGIES, LLC AND SHOULD NOT BE USED WITHOUT WRITTEN PERMISSION													
QUALITY SYMBOLS FA = 0 FE = 0 FB = 0 ▼ = 0 C = 0 ⊗ = 0 ■ = 0 ∇ = 0	EC NO: 167233 DRWN: APAWLAK01 CHK'D: MIWASIECZKO APPR: MIWASIECZKO	2017/10/18 2017/10/31	GENERAL TOLERANCES (UNLESS SPECIFIED)		DIMENSION UNITS	SCALE							
			ANGULAR TOL ± °		mm	1:1							
			4 PLACES ±		APAWLAK01		DATE		G850 DIN MICRO / MMC 5P MM				
			3 PLACES ±		2017/10/18		DATE						
			2 PLACES ±		MIWASIECZKO		DATE		PRODUCT CUSTOMER DRAWING				
			1 PLACE ±		2017/10/31		DATE						
0 PLACES ±		DRAFT WHERE APPLICABLE MUST REMAIN WITHIN DIMENSIONS		DRAWING SIZE	THIRD ANGLE PROJECTION		SERIES	MATERIAL NUMBER	CUSTOMER				
		A3				121036	SEE 1210360510 PDP	GENERAL MARKET					
						DOCUMENT NUMBER		DOC TYPE	DOC PART	SHEET NUMBER			
						1210360510		PSD	000	2 OF 2			