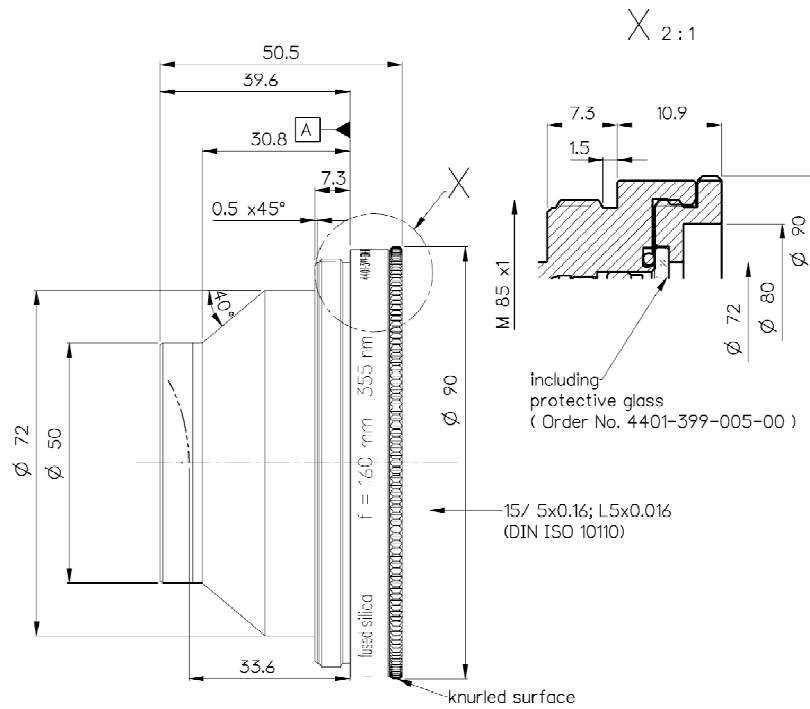




## Mechanical drawing

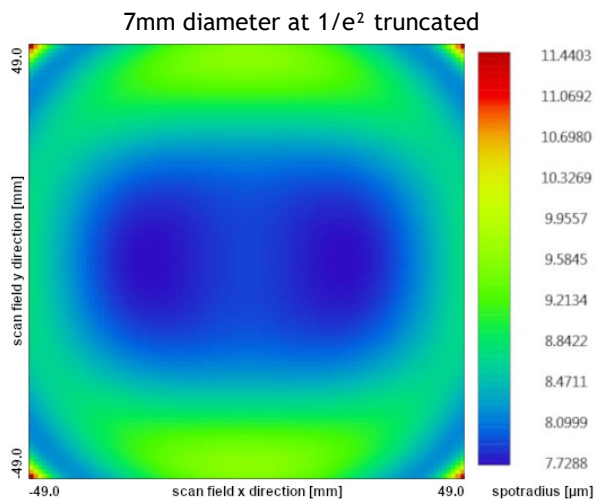


Dimensions without tolerances are nominal values and illustration not to scale

## Spot variation over scanfield

Spot radius in  $\mu\text{m}$  at  $1/e^2$  level for a Gaussian laser beam ( $M^2=1$ )

field size and mirror distances as given above for a 2 mirror scan system, vignetting  $\leq 1\%$



## Notes



For technical explanations, see our homepage.

In a 1-mirror system, the entrance pupil (EP) is the position of the scan mirror. In a 2-mirror system, it is the point where the scan mirrors should be placed around symmetrically to reach specified performance.