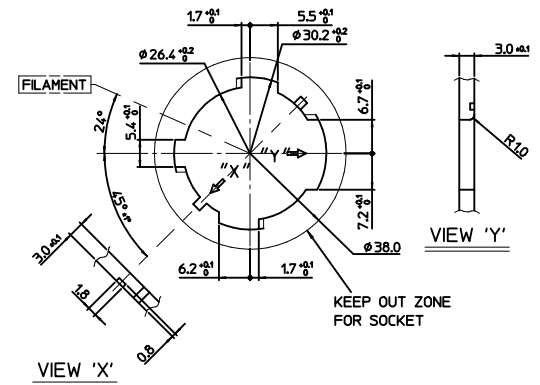
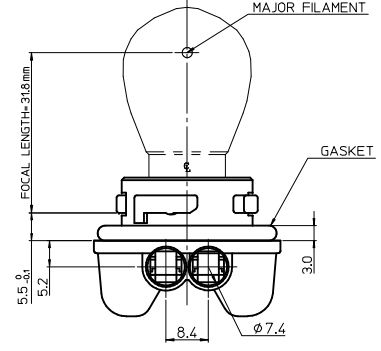
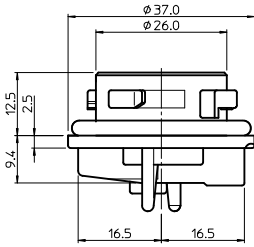
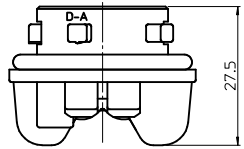
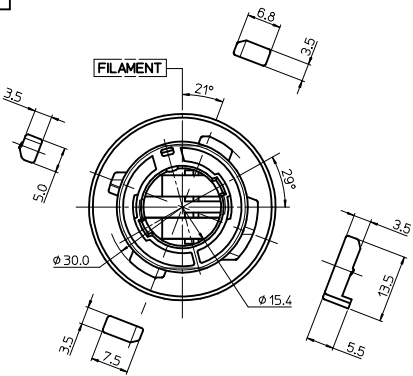
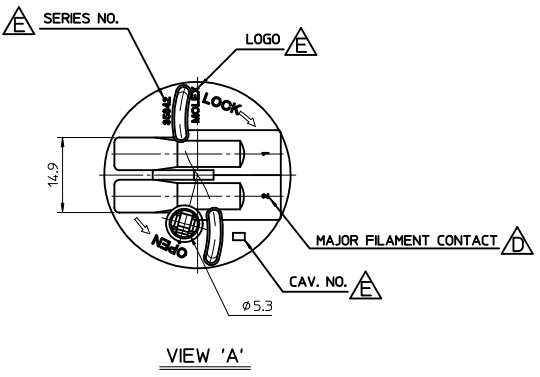


- NOTES  
 1. FOCAL LENGTH =31.8mm  
 2. PRODUCT SPECIFICATION: PS-35842-001  
 3. APPLICABLE BULB CAP: P21/5WBAY15d  
 4. MATES WITH

NO.	DESCRIPTION	MATERIAL	ORDER NO.	REMARK
③	POSITIVE TERMINAL	PHOSPHOR BRONZE	35464-8000	UNPLATED
④	POSITIVE WIRE SEAL	SILICONE	35903-0096	BROWN
⑤	EARTH TERMINAL	PHOSPHOR BRONZE	35465-8000	UNPLATED
⑥	EARTH WIRE SEAL	SILICONE	35903-0106	BLUE

<PART LIST>

NO.	DESCRIPTION	MATERIAL	USAGE	REMARK
①	DOUBLE SOCKET	PA66 M/F	1	A TYPE
②	SEAL GASKET	NBR	1	BLACK

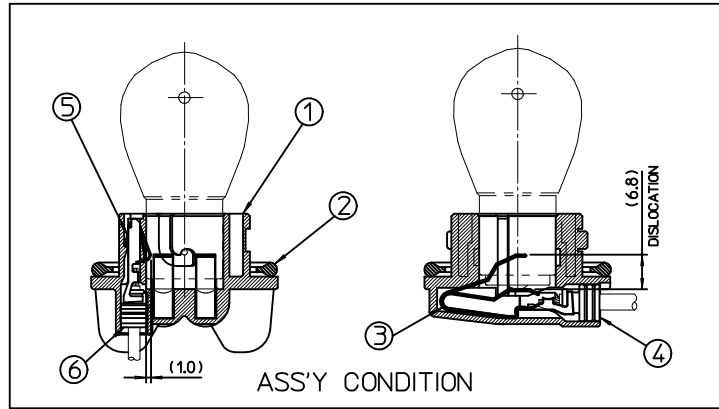


"A"

<TABLE 1>

MATERIAL NO.	ORDER NO.	COLOR
358421301	35842-1301	BLACK
358421305	35842-1305	GRAY
358421306	35842-1306	WHITE
358421307	35842-1307	BROWN

MOUNTING INTERFACE (MI-4)



REVISED	EC NO.	DRWING	CHKD	APPR	DESCRIPTION	QUALITY SYMBOLS		GENERAL TOLERANCES (UNLESS SPECIFIED)	
						mm	INCH		
	KOR2010-0146	2010/04/05	2010/04/05			▽=0	▽=0	4 PLACES	± --- ± ---
								3 PLACES	± --- ± ---
								2 PLACES	± 0.15 ± ---
								1 PLACE	± 0.25 ± ---
								ANGULAR ± 2 °	
								DRAFT WHERE APPLICABLE MUST REMAIN WITHIN DIMENSIONS	

DIMENSION STYLE		SCALE	DESIGN UNITS	THIRD ANGLE PROJECTION	
MM ONLY		1:1	METRIC		
DRAWN BY	DATE	TITLE			
YSIKKIM	1999/05/13	SEALED PT BULB SOCKET DOUBLE HOUSING ASS'Y (A-TYPE)			
CHECKED BY	DATE	MOLEX INCORPORATED			
BKCHOI	1999/05/14				
APPROVED BY	DATE	MATERIAL NO.		DOCUMENT NO.	
CWLEE	1999/05/14	SEE TABLE 1		SD-35842-001	
SIZE		SHEET NO.			
A3		1 OF 1			
THIS DRAWING CONTAINS INFORMATION THAT IS PROPRIETARY TO MOLEX INCORPORATED AND SHOULD NOT BE USED WITHOUT WRITTEN PERMISSION					