

Datasheet



- Intense levels of light output for outdoor applications
- Controlled field of view for signage and narrow lane use
- May also be used for low-cost vision sensor illumination
- Rugged, cost-effective, and easy to install
- Compact devices are completely self-contained, no controller needed
- Up to three colors in one housing
- Immune to ambient light, EMI, and RFI interference
- 50 mm (2 in) diameter with flat profile and 30 mm (1.2 in) mounting base
- PNP or NPN input type, depending on model
- 15 to 30 V dc operation



Contact Factory for more information

Note: Optional sun shield model K50DS is available for enhanced visibility in desert sun brightness levels (see [Sun Shield -- MASTER](#) on page 4).

Model ¹	LED Function ²	Inputs ³	Model*	LED Function ²	Inputs ³
K50LDGRYPQ	3 Color: Green, Red, Yellow	PNP	K50LDXGXPQ	1 Color: Green	PNP/NPN
K50LDGRYNQ		NPN	K50LDXRXXPQ	1 Color: Red	PNP/NPN
K50LDGRBPQ	3 Color: Green, Red, Blue	PNP	K50LDXYXPQ	1 Color: Yellow	PNP/NPN
K50LDGRBNQ		NPN	K50LDXWXPQ	1 Color: White	PNP/NPN
			K50LDXBPQ	1 Color: Blue	PNP/NPN

Contact factory for other colors and color combinations.



WARNING: Not To Be Used for Personnel Protection

Never use this device as a sensing device for personnel protection. Doing so could lead to serious injury or death. This device does not include the self-checking redundant circuitry necessary to allow its use in personnel safety applications. A sensor failure or malfunction can cause either an energized or de-energized sensor output condition.

¹ Integral QD models only are listed.

- To order the 150 mm PVC pigtail with QD model, replace **Q** with **QP** in model number (example, **K50LDGRYPQP**).
- To order the 2 m (6.5 ft) cable model, omit suffix **Q** from model number (example, **K50LDGRYP**).
- A model with a QD requires a mating cable (see [Accessories](#) on page 3).

² 3-color models: 6 LEDs per color; 1-color models: 18 LEDs per color

³ 1-color models are PNP/NPN selectable, depending on hookup.



Specifications

Supply Voltage and Current

15 to 30 V dc at 120 mA maximum (1-color models)
 15 to 30 V dc at 40 mA maximum per LED color (3-color models)
 12 V dc minimum voltage to -20 °C for both models

Supply Protection Circuitry

Protected against reverse polarity and transient voltages

Indicators

LED colors are independently selected, depending on mode

Input Response Time

Indicator ON/OFF: 1 ms maximum

Environmental Rating

Fully encapsulated, rated IEC IP67

Construction

Base and covers: polycarbonate

Connections

Integral 4-pin M12/Euro-style quick disconnect fitting, 150 mm PVC pigtail with QD, or 2 m (6.5 ft) integral cable, depending on model

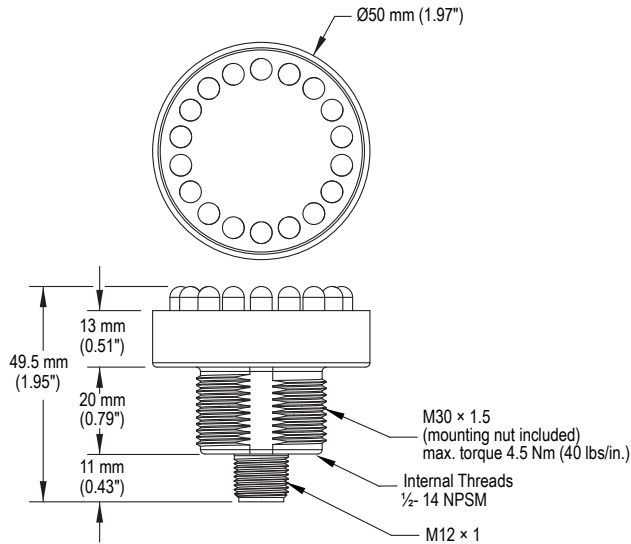
Operating Conditions

-40 °C to +50 °C (-40 °F to +122 °F)
 90% at +55 °C maximum relative humidity (non-condensing)

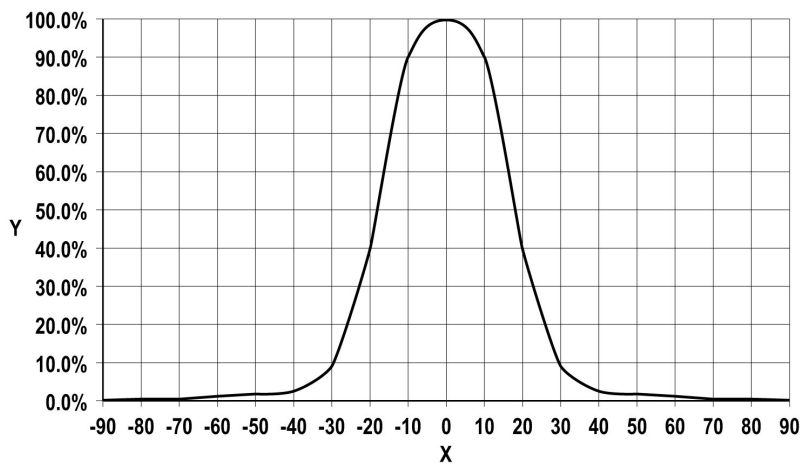
Certifications



Dimensions

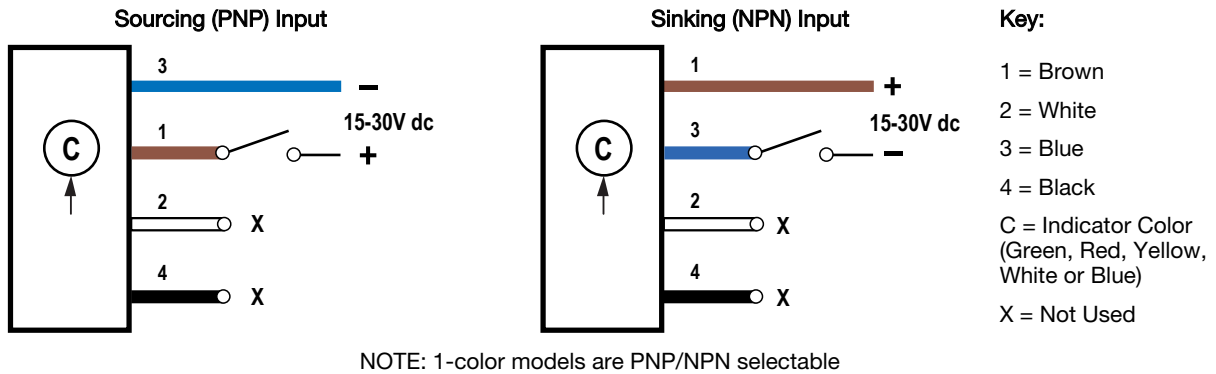


Percent of Maximum Intensity vs Viewing Angle

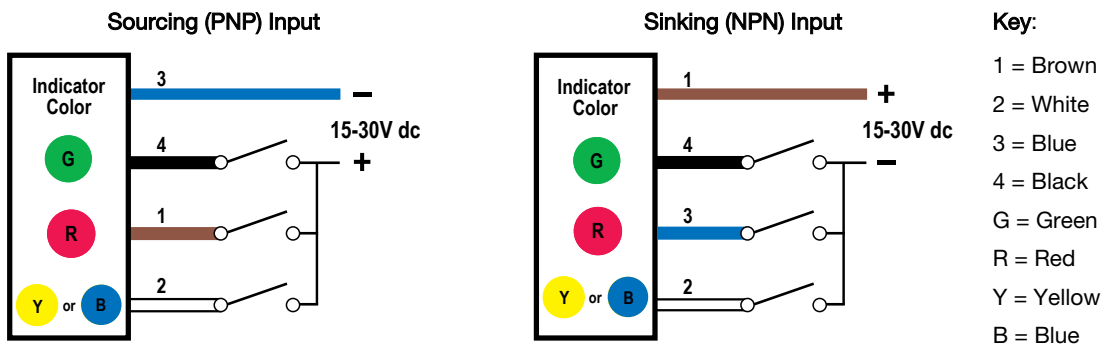


X: Viewing Angle (Deg)
 Y: Intensity (Percent)

Wiring – 1-Color Models



Wiring – 3-Color Models



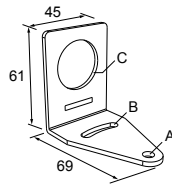
Accessories

4-Pin Threaded M12/Euro-Style Cordsets—Single Ended				
Model	Length	Style	Dimensions	Pinout (Female)
MQDC-406	1.83 m (6 ft)	Straight		<p>1 = Brown 2 = White 3 = Blue 4 = Black</p>
MQDC-415	4.57 m (15 ft)			
MQDC-430	9.14 m (30 ft)			
MQDC-450	15.2 m (50 ft)			
MQDC-406RA	1.83 m (6 ft)	Right-Angle		
MQDC-415RA	4.57 m (15 ft)			
MQDC-430RA	9.14 m (30 ft)			
MQDC-450RA	15.2 m (50 ft)			

Mounting Brackets

SMB30A

- Right-angle bracket with curved slot for versatile orientation
- Clearance for M6 (¼ in) hardware
- Mounting hole for 30 mm sensor
- 12-ga. stainless steel

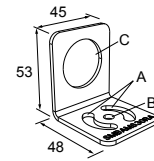


Hole center spacing: A to B=40

Hole size: A=ø 6.3, B= 27.1 x 6.3, C=ø 30.5

SMBAMS30RA

- Right-angle SMBAMS series bracket
- 30 mm hole for mounting sensors
- Articulation slots for 90°+ rotation
- 12-ga. (2.6 mm) cold-rolled steel

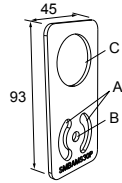


Hole center spacing: A=26.0, A to B=13.0

Hole size: A=26.8 x 7.0, B=ø 6.5, C=ø 31.0

SMBAMS30P

- Flat SMBAMS series bracket
- 30 mm hole for mounting sensors
- Articulation slots for 90°+ rotation
- 12-ga. 300 series stainless steel

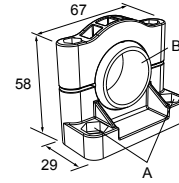


Hole center spacing: A=26.0, A to B=13.0

Hole size: A=26.8 x 7.0, B=ø 6.5, C=ø 31.0

SMB30SC

- Swivel bracket with 30 mm mounting hole for sensor
- Black reinforced thermoplastic polyester
- Stainless steel mounting and swivel locking hardware included

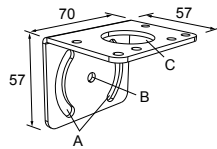


Hole center spacing: A=ø 50.8

Hole size: A=ø 7.0, B=ø 30.0

SMB30MM

- 12-ga. stainless steel bracket with curved mounting slots for versatile orientation
- Clearance for M6 (¼ in) hardware
- Mounting hole for 30 mm sensor

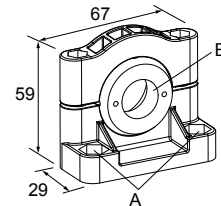


Hole center spacing: A = 51, A to B = 25.4

Hole size: A = 42.6 x 7, B = ø 6.4, C = ø 30.1

SMB3018SC

- 18 mm swivel side or barrel-mount bracket
- Black reinforced thermoplastic polyester
- Stainless steel swivel locking hardware included



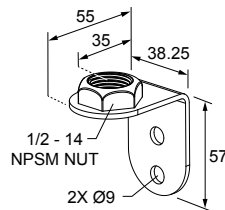
Hole center spacing: A = 50.8

Hole size: A = ø 7.0, B = ø 18.0

LMBE12RA35

- Direct mounting of stand-off pipe, with common bracket type
- Zinc-plated steel
- 1/2-14 NPSM nut
- Mounting distance from the wall to the center of the 1/2-14 NPSM nut is 35 mm

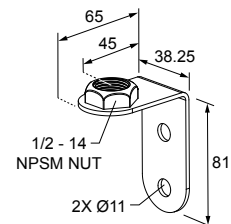
Hole center spacing: 20.0



LMBE12RA45

- Direct mounting of stand-off pipe, with common bracket type
- Zinc-plated steel
- 1/2-14 NPSM nut
- Mounting distance from the wall to the center of the 1/2-14 NPSM nut is 45 mm

Hole center spacing: 35.0



Sun Shield -- MASTER

K50DS

- Use for enhanced visibility in desert sun brightness levels
- Thermoplastic polyester



K90DS

- Use for enhanced visibility in direct sunlight conditions
- Polycarbonate



Banner Engineering Corp. Limited Warranty

Banner Engineering Corp. warrants its products to be free from defects in material and workmanship for one year following the date of shipment. Banner Engineering Corp. will repair or replace, free of charge, any product of its manufacture which, at the time it is returned to the factory, is found to have been defective during the warranty period. This warranty does not cover damage or liability for misuse, abuse, or the improper application or installation of the Banner product.

THIS LIMITED WARRANTY IS EXCLUSIVE AND IN LIEU OF ALL OTHER WARRANTIES WHETHER EXPRESS OR IMPLIED (INCLUDING, WITHOUT LIMITATION, ANY WARRANTY OF MERCHANTABILITY OR FITNESS FOR A PARTICULAR PURPOSE), AND WHETHER ARISING UNDER COURSE OF PERFORMANCE, COURSE OF DEALING OR TRADE USAGE.

This Warranty is exclusive and limited to repair or, at the discretion of Banner Engineering Corp., replacement. **IN NO EVENT SHALL BANNER ENGINEERING CORP. BE LIABLE TO BUYER OR ANY OTHER PERSON OR ENTITY FOR ANY EXTRA COSTS, EXPENSES, LOSSES, LOSS OF PROFITS, OR ANY INCIDENTAL, CONSEQUENTIAL OR SPECIAL DAMAGES RESULTING FROM ANY PRODUCT DEFECT OR FROM THE USE OR INABILITY TO USE THE PRODUCT, WHETHER ARISING IN CONTRACT OR WARRANTY, STATUTE, TORT, STRICT LIABILITY, NEGLIGENCE, OR OTHERWISE.**

Banner Engineering Corp. reserves the right to change, modify or improve the design of the product without assuming any obligations or liabilities relating to any product previously manufactured by Banner Engineering Corp. Any misuse, abuse, or improper application or installation of this product or use of the product for personal protection applications when the product is identified as not intended for such purposes will void the product warranty. Any modifications to this product without prior express approval by Banner Engineering Corp will void the product warranties. All specifications published in this document are subject to change; Banner reserves the right to modify product specifications or update documentation at any time. Specifications and product information in English supersede that which is provided in any other language. For the most recent version of any documentation, refer to: www.bannerengineering.com.

For patent information, see www.bannerengineering.com/patents.