

Customer Information Sheet

DRAWING No.: D01-60300XX

SHEET 2 OF 2

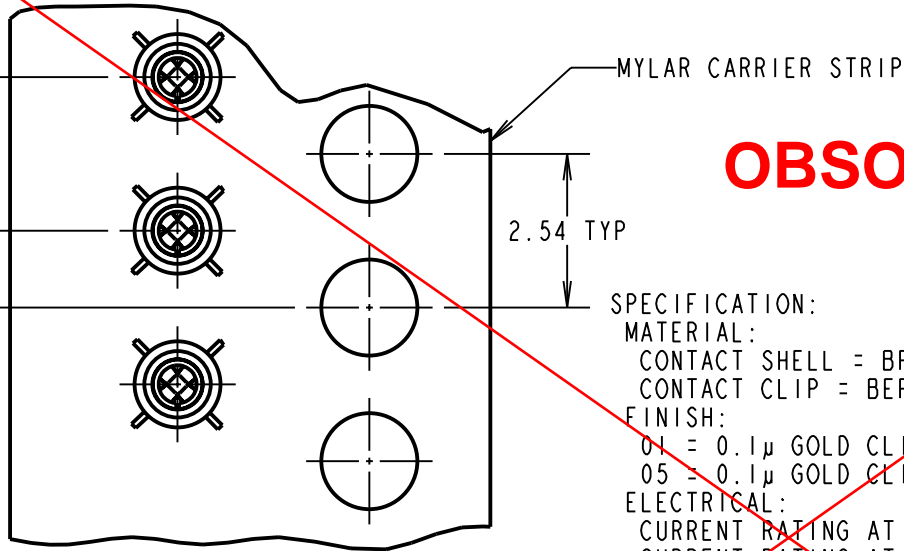
IF IN DOUBT - ASK

©

NOT TO SCALE

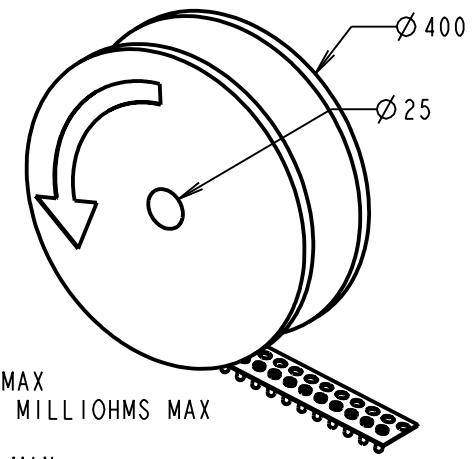
THIRD ANGLE PROJECTION

ALL DIMENSIONS IN mm



OBSOLETE

ORDER CODE:
D01-60300XX
 FINISH:
 01 = GOLD CLIP, TIN SHELL
 05 = GOLD CLIP, GOLD SHELL



SPECIFICATION:

MATERIAL:

CONTACT SHELL = BRASS
 CONTACT CLIP = BERYLLIUM COPPER

FINISH:

01 = 0.1µ GOLD CLIP, 4µ TIN SHELL
 05 = 0.1µ GOLD CLIP, 0.13µ GOLD SHELL

ELECTRICAL:

CURRENT RATING AT 25°C = 2A MAX
 CURRENT RATING AT 85°C = 1.75A MAX
 CONTACT RESISTANCE (INITIAL) = 15 MILLIOHMS MAX
 CONTACT RESISTANCE (AFTER CONDITIONING) = 25 MILLIOHMS MAX

MECHANICAL:

INSERTION FORCE (Ø 0.5mm GAUGE) = 6N MAX, 2N MIN
 WITHDRAWAL FORCE (Ø 0.5mm GAUGE) = 1.5N MIN, 0.5N MIN
 DURABILITY - 01 & 05 = 500 OPERATIONS

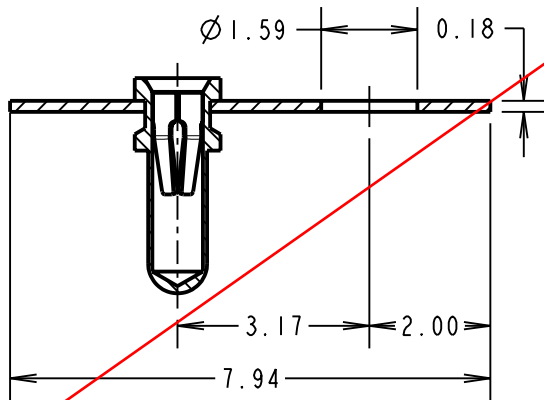
ENVIRONMENTAL:

OPERATING TEMPERATURE = -55°C TO +125°C

FOR COMPLETE SPECIFICATION, SEE COMPONENT SPECIFICATION C006XX (LATEST ISSUE)

NOTES:

1. MAXIMUM CONTACT DEPTH = 2.15mm.
2. MAXIMUM PIN LENGTH = 3.15mm
3. RECOMMENDED MOUNTING HOLE SIZE = Ø 1.10mm - 1.00mm
4. RECOMMENDED PIN SIZE = Ø 0.51 - 0.46mm
5. QUANTITY PER REEL = 5,000



RA	4	28.01.10	10659
NAME	ISS.	DATE	C/NOTE
APPROVED:		R. ADDE	
CHECKED:		M.G. PLESTED	
DRAWN:		R. WHITE	
CUSTOMER REF.:			
ASSEMBLY DRG:			

HARWIN

HARWIN USA
 TEL: 603 893 5376
 FAX: 603 893 5396
 mis@harwin.com

HARWIN Europe (UK)
 TEL: 023 9231 4545
 FAX: 023 9231 4590
 mis@harwin.co.uk

HARWIN Asia
 TEL: +65 6 779 4909
 FAX: +65 6 779 3868
 mis@harwin.com.sg

THIS DRAWING AND ANY INFORMATION OR DESCRIPTIVE MATTER SET OUT HEREON ARE CONFIDENTIAL AND COPYRIGHT PROPERTY OF THE HARWIN GROUP AND MUST NOT BE DISCLOSED, LOANED, COPIED OR USED FOR MANUFACTURING, TENDERING OR FOR ANY OTHER PURPOSE WITHOUT THEIR WRITTEN PERMISSION.

TOLERANCES

X. = ±1mm
 X.X = ±0.25mm
 X.XX = ±0.10mm
 X.XXX = ±0.01mm

ANGLES = ±5°
 UNLESS STATED

MATERIAL:

SEE ABOVE

FINISH: SEE ABOVE

S/AREA: mm²

TITLE:

BANDOLI ERED SUB-MIN
 SOCKET-H3155-XX

DRAWING NUMBER:

D01-60300XX

SHT
 2 OF 2