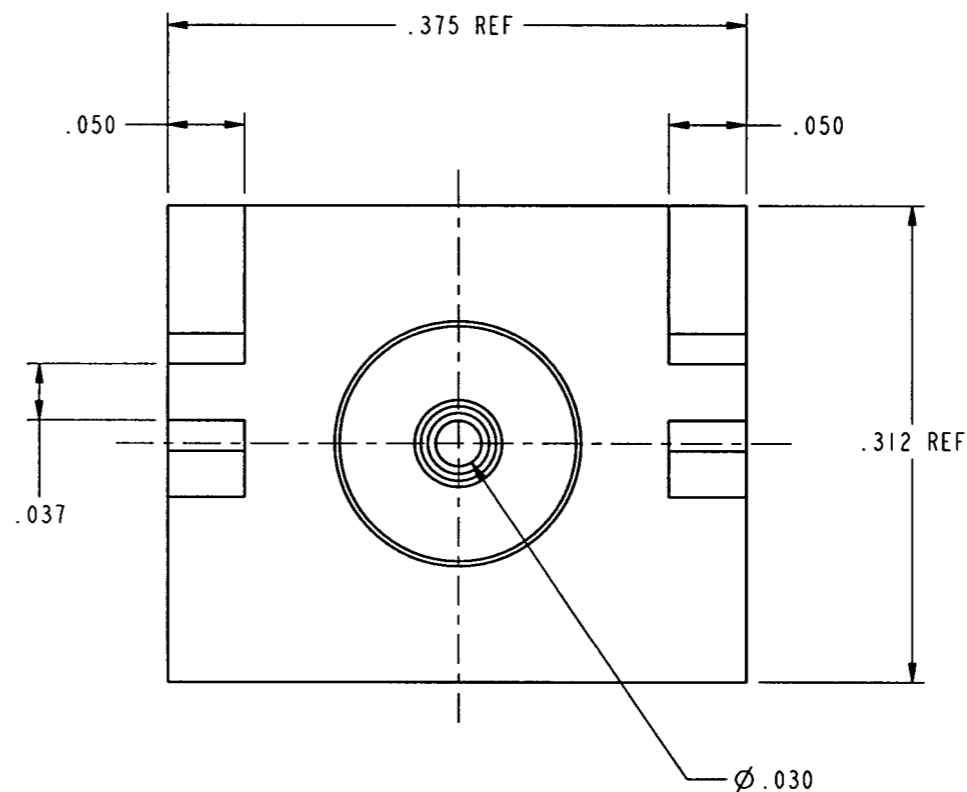
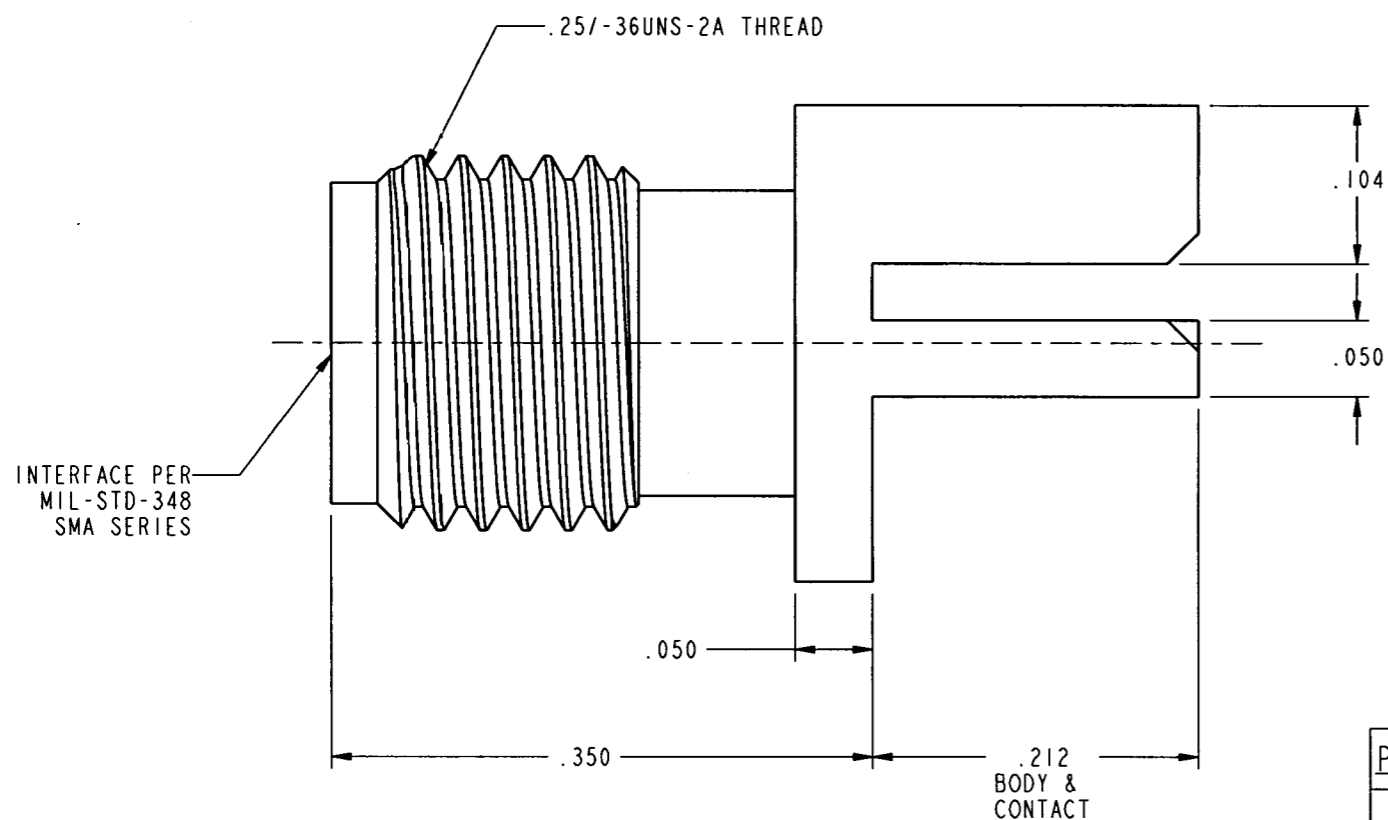
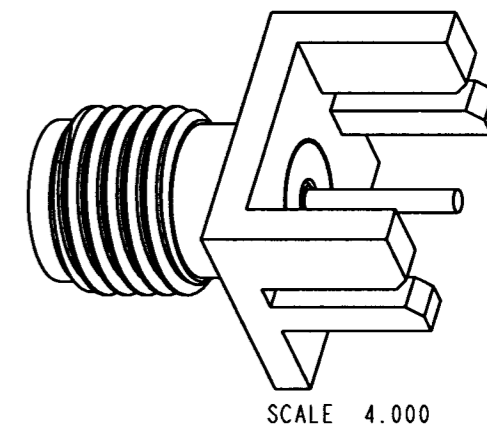


NNNN

1. MATERIALS OF CONSTRUCTION:
 BODY = BRASS, GOLD PLATED
 CONTACT = BERYLLIUM COPPER, GOLD PLATED
 INSULATOR = TFE FLUOROCARBON

901-10019-X		REVISIONS			
DRAWING NO.	REV	DESCRIPTION	DATE	ECO	APPR
THIRD ANGLE PROJ.	--	RELEASE TO MFG.			
	C	SEE SHEET 1	10/11/00	43536	CPM



PART NUMBER	PACKAGING
901-10019	SINGLE
901-10019B	100 PCS.

CUSTOMER OUTLINE DRAWING
 FOR REFERENCE ONLY

UNLESS OTHERWISE SPECIFIED, DIMENSIONS ARE IN INCHES AND TOLERANCES ARE: 2 PLACE DECIMAL ±.015 (0.381 mm) 3 PLACE DECIMAL ±.005 (0.127 mm) ANGLES ± 1°	MATERIAL	DRAWN C. McGRATH	DATE 28-Sep-00	TITLE SMA JACK END LAUNCH PC MOUNT .032 BOARD		Amphenol Amphenol Corporation Communication and Network Products Division Danbury, CT U.S.A. 06810	
	NOTICE - These drawings, specifications, or other data (1) are, and remain the property of Amphenol Corp. (2) must be returned upon request; and (3) are confidential and not to be disclosed to any person other than those to whom they are given by Amphenol Corp. The furnishing of these drawings, specifications, or other data by Amphenol Corp., or to any other person to anyone for any purpose is not to be regarded by implication or otherwise in any manner licensing, granting rights or permitting such holder or any other person to manufacture, use or sell any product, process or design, patented or otherwise, that may in any way be related to or disclosed by said drawings, specifications, or other data.	REFERENCE EAR 102-967320-1 615X-1547-100 GEN# ASSYF37_SMA	ENGINEER P. BRENZEL	DATE 28-Sep-00	APPROVED		SCALE: 8.0:1
		CAD FILE I:\SMA\901-10019-X		CODE ID 74868	DWG SIZE B	DRAWING NO. 901-10019-X	REV C