

F  
 D  
 C  
 B  
 A

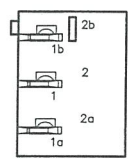
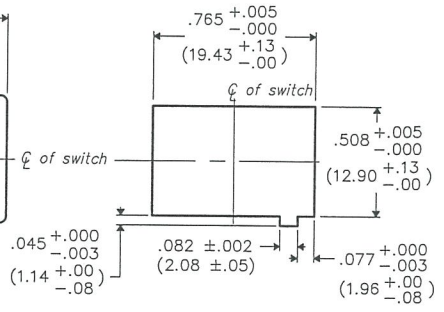
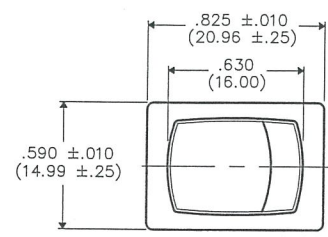
B-FORMAT 2002  
 REVISIONS  
 0  
 RELEASED: DGW 7-15-13  
 .11. 19 2013

THIS INFORMATION IS CONFIDENTIAL AND PROPRIETARY TO CW INDUSTRIES INCORPORATED AND ITS AFFILIATES. IT MAY NOT BE DISCLOSED TO ANYONE OTHER THAN CW INDUSTRIES PERSONNEL, WITHOUT WRITTEN AUTHORIZATION FROM CW INDUSTRIES INCORPORATED, SOUTHAMPTON, PENNSYLVANIA USA.

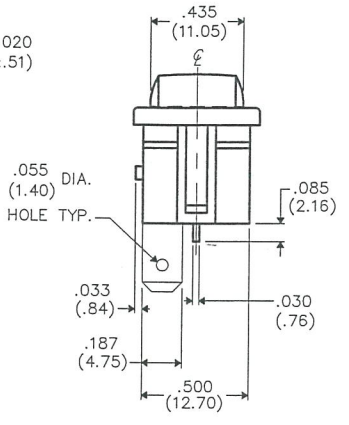
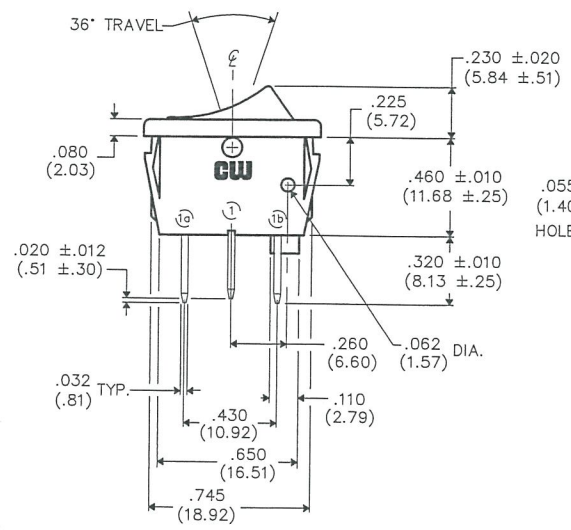
**PANEL PIERCING**

NOTE:  
 RECOMMENDED PANEL THICKNESS

$.075 \begin{matrix} +.000 \\ -.003 \end{matrix}$   
 $(1.91 \begin{matrix} +.00 \\ -.08 \end{matrix})$



**BOTTOM VIEW**



DIMENSIONS IN INCHES (MILLIMETERS)  
 DO NOT SCALE DRAWING .....

Dwg. No.  
**GRS-4012-0048**

SWITCH COLOR - Black

**SWITCH RATINGS:**

- UL & CSA
- 16A. 125VAC 12A. 250VAC
  - 3/4 H.P. 125-250 VAC 10A. 14V (T)
  - 3A. 125V L
- VDE
- 10(4)A. 250V ~ 4 T85°

1	2	3	4	5	6	7	8	9	10
---	---	---	---	---	---	---	---	---	----

**CW INDUSTRIES**  
 Southampton, Pa. 18966

**TOLERANCES UNLESS OTHERWISE SPECIFIED**

2 Place Decimal ±.010	METRIC
3 Place Decimal ±.005	1 Place Dec. ±.25mm
Angles ..... ±1'	2 Place Dec. ±.13mm

Made for: CW IND.  
 Drawn by: DGW 7-15-13  
 Checked by: G. Gold 7-19-13  
 Approval: G. Gold 7-19-13

Title: **MINI ROCKER SWITCH S.P. - D.T.**

Division: **SWITCH**

Dwg. No. **GRS-4012-0048**

MASTER