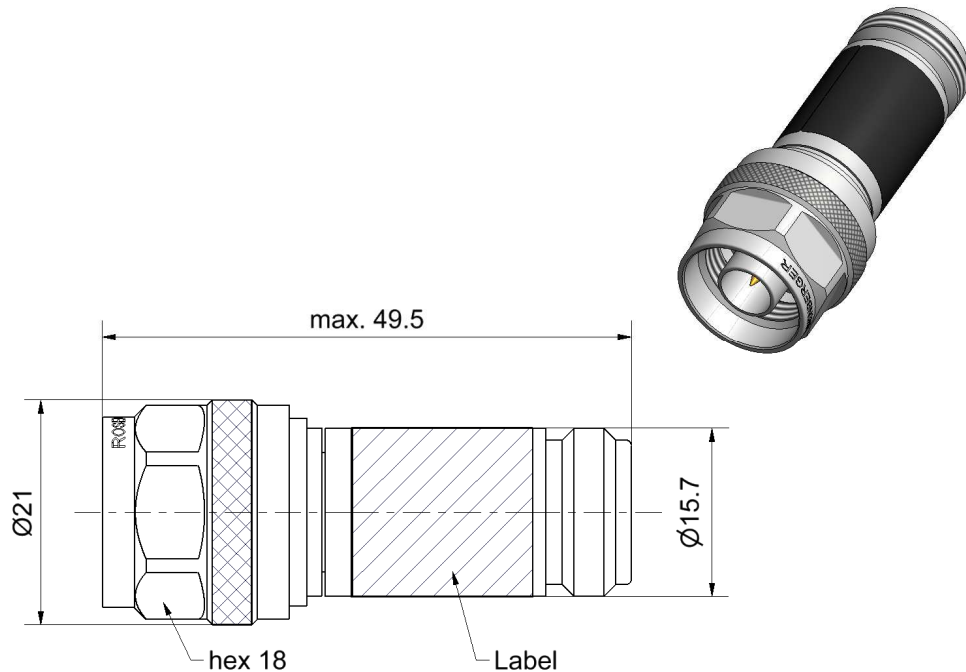


N

Matching Attenuator  
50 Ω Plug – 75 Ω Jack

**53S173-K00N3**



All dimensions are in mm; tolerances according to ISO 2768 m-H

**Interface**

According to

IEC 60169-16, MIL-PRF-39012, CECC 22210

**Documents**

N/A

**Material and plating**

**Connector parts**

- Center contact - plug
- Center contact - jack
- Outer contact
- Coupling nut
- Dielectric
- Substrate

**Material**

- Brass
- CuBe
- Brass
- Brass
- PTFE
- Al<sub>2</sub>O<sub>3</sub>

**Plating**

- Gold, min. 1.27 µm, over nickel
- Gold, min. 1.27 µm, over nickel
- Flash white bronze over silver(e.g. Optargen®)
- Flash white bronze over silver(e.g. Optargen®)

Dieses Dokument ist urheberrechtlich geschützt • This document is protected by copyright • Rosenberger Hochfrequenztechnik GmbH & Co. KG

RF\_35/05:10/6.0

N

Matching Attenuator  
50 Ω Plug – 75 Ω Jack

**53S173-K00N3**

**Electrical data**

Impedance 50 Ω  
 Frequency range DC to 6 GHz  
 Return loss ≥ 26.4 dB, DC to 1 GHz  
 ≥ 20.8 dB, 1 GHz to 2 GHz  
 ≥ 17.2 dB, 2 GHz to 6 GHz  
 Attenuation 5.72 dB ± 0.3 dB, DC to 2 GHz  
 5.72 dB ± 0.5 dB, 2 GHz to 4 GHz  
 5.72 dB ± 0.8 dB, 4 GHz to 6 GHz  
 Power handling ≤ 1.0 W

**Mechanical data**

Mating cycles ≥ 500  
 Coupling nut retention ≥ 450 N  
 Center contact captivation ≥ 28 N  
 Maximum torque 1.70 Nm  
 Recommended torque 0.70 Nm to 1.10 Nm

**Environmental data**

Operating temperature range<sup>1</sup> 0 °C to +50 °C  
 Storage temperature range -40 °C to +85 °C  
 RoHS compliant

<sup>1</sup> Temperature range over which these specifications are valid.

**Packing**

Standard 1 pce in box  
 Weight 67.0 g/pce

Dieses Dokument ist urheberrechtlich geschützt • This document is protected by copyright • Rosenberger Hochfrequenztechnik GmbH & Co. KG

RF\_35/05:10/6.0

Draft	Date	Approved	Date	Rev.	Engineering change number	Name	Date
Kerstin Herzog	06/10/05	Lars Ramtke	30/01/15	e00	15-0107	Marion Striegler	30/01/15
Rosenberger Hochfrequenztechnik GmbH & Co. KG P.O.Box 1260 D-84526 Tittmoning Germany www.rosenberger.de						Tel. : +49 8684 18-0 Email : info@rosenberger.de	
							Page 2 / 2