

DESCRIPTION

The CNX48U, H11BX, MOC8080 and TIL113 have a gallium arsenide infrared emitter optically coupled to a silicon planar photodarlington.

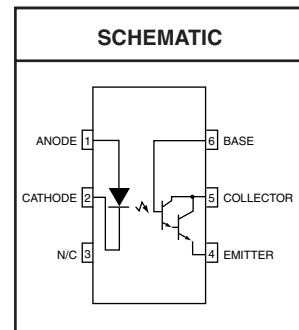
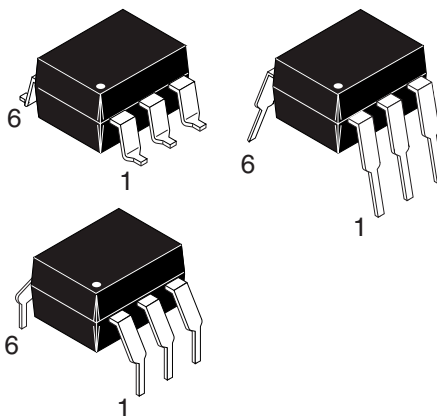
CNX48U	H11B1	H11B2	H11B255	H11B3
MOC8080	TIL113			

FEATURES

- High sensitivity to low input drive current
- Meets or exceeds all JEDEC Registered Specifications
- VDE 0884 approval available as a test option
-add option .300. (e.g., H11B1.300)

APPLICATIONS

- Low power logic circuits
- Telecommunications equipment
- Portable electronics
- Solid state relays
- Interfacing coupling systems of different potentials and impedances.



Parameter	Symbol	Device	Value	Units
TOTAL DEVICE				
Storage Temperature	T_{STG}	All	-55 to +150	°C
Operating Temperature	T_{OPR}	All	-55 to +100	°C
Lead Solder Temperature	T_{SOL}	All	260 for 10 sec	°C
Total Device Power Dissipation @ $T_A = 25^\circ\text{C}$ Derate above 25°C	P_D	All	250	mW
			3.3	mW/°C
EMITTER				
Continuous Forward Current	I_F	All	100	mA
Reverse Voltage	V_R	All	6	V
Forward Current - Peak (300 μs , 2% Duty Cycle)	$I_{F(pk)}$	All	3.0	A
LED Power Dissipation @ $T_A = 25^\circ\text{C}$ Derate above 25°C	P_D	All	100	mW
			1.8	mW/°C
DETECTOR				
Collector-Emitter Breakdown Voltage	BV_{CEO}	CNX48U, TIL113	30	V
		H11B1, H11B2 H11B3	25	
		H11B255 MOC8080	55	
Collector-Base Breakdown Voltage	BV_{CBO}	CNX48U, H11B1 H11B2, H11B3 TIL113	30	V
		H11B255 MOC8080	55	V
Emitter-Collector Breakdown Voltage	BV_{ECO}	All	7	V
Detector Power Dissipation @ $T_A = 25^\circ\text{C}$ Derate above 25°C	P_D	All	150	mW
			2.0	mW/°C

CNX48U	H11B1	H11B2	H11B255	H11B3
MOC8080	TIL113			

ELECTRICAL CHARACTERISTICS (T_A = 25°C Unless otherwise specified.)

INDIVIDUAL COMPONENT CHARACTERISTICS

Parameter	Test Conditions	Symbol	Device	Min	Typ**	Max	Unit
EMITTER	(I _F = 10 mA)	V _F	H11B1, H11B2	0.8	1.2	1.5	V
			H11B255				
			MOC8080				
			TIL113				
			CNX48U				
Input Forward Voltage	(I _F = 10 mA)	V _F	CNX48U		1.2	1.3	
			MOC8080	0.9	1.3	1.7	
				0.7	1.05	1.4	
			(I _F = 10 mA, T _A = -55°C)				
(I _F = 10 mA, T _A = 100°C)							
Reverse Leakage Current	(V _R = 6 V)	I _R	All		0.001	10	μA
Capacitance	(V _F = 0 V, f = 1.0 MHz)	C	All		50		pF
DETECTOR	(I _C = 1 mA, I _F = 0)	BV _{CEO}	CNX48U	30	60		V
			TIL113				
			H11B1, H11B2				
			H11B3				
			H11B255				
Collector-Emitter Breakdown Voltage	(I _C = 10 mA, I _F = 0)	BV _{CEO}	MOC8080		55	70	
			(I _C = 100 μA, I _F = 0)				
			(I _C = 100 μA, I _F = 0)				
			(I _C = 1 mA, I _F = 0)				
Collector-Base Breakdown Voltage	(I _C = 100 μA, I _E = 0)	BV _{CBO}	CNX48U, H11B1	30	100		V
			H11B2, H11B3				
Emitter-Collector Breakdown Voltage	(I _E = 100 μA, I _B = 0)	BV _{ECO}	TIL113				
			H11B255	55	100		
Collector-Emitter Dark Current	(V _{CE} = 10 V, Base Open)	I _{CEO}	All		1	100	nA

Note

** Typical values at T_A = 25°C

CNX48U H11B1 H11B2 H11B255 H11B3
MOC8080 TIL113

TRANSFER CHARACTERISTICS ($T_A = 25^\circ\text{C}$ Unless otherwise specified.)								
DC Characteristics	Test Conditions	Symbol	Device	Min	Typ**	Max	Units	
Collector Output Current ⁽¹⁾	$(I_F = 10\text{ mA}, V_{CE} = 5\text{ V})$	I_C (CTR)	MOC8080	50 (500)			mA (%)	
			H11B255	10 (100)				
	$(I_F = 10\text{ mA}, V_{CE} = 1\text{ V})$		CNX48U	60 (600)				
			TIL113	30 (300)				
	$(I_F = 1\text{ mA}, V_{CE} = 5\text{ V})$		H11B1	5 (500)				
			H11B2	2 (200)				
	$(I_F = 1\text{ mA}, V_{CE} = 1\text{ V})$		CNX48U	5 (500)				
$(I_F = 0.5\text{ mA}, V_{CE} = 1\text{ V})$	1.75 (350)							
Saturation Voltage	$(I_F = 1\text{ mA}, I_C = 1\text{ mA})$	$V_{CE(sat)}$	H11B1, H11B2 H11B3, MOC8080			1.0	V	
	$(I_F = 5\text{ mA}, I_C = 10\text{ mA})$		CNX48U			1.0		
	$(I_F = 50\text{ mA}, I_C = 50\text{ mA})$		H11B255			1.0		
	$(I_F = 8\text{ mA}, I_C = 2\text{ mA})$		TIL113			1.25		
AC Characteristics	$(I_C = 10\text{ mA}, V_{CE} = 10\text{ V})$ $(R_L = 100\ \Omega)$ (Fig.7)	t_{on}	H11B1 H11B2		25		μs	
		t_{off}	H11B255 H11B3		18			
	$(I_F = 10\text{ mA}, V_{CC} = 5\text{ V})$ $(R_E = 100\ \Omega), (R_{BE} = 1\text{M}\Omega)$ (Fig. 8)	t_{on}	CNX48U			3.5		
		t_{off}				36		
	$(I_F = 1\text{ mA}, V_{CC} = 5\text{ V})$ $(R_E = 1\text{k}\Omega), (R_{BE} = 10\text{M}\Omega)$ (Fig. 8)	t_{on}				70		
		t_{off}				190		
	$(I_F = 5\text{ mA}, V_{CC} = 10\text{ V})$ $(R_L = 100\ \Omega)$ (Fig.7)	t_{on}	MOC8080			3.5		
		t_{off}				25		
	$(I_F = 200\text{ mA}, I_C = 50\text{ mA})$ $(V_{CC} = 10\text{ V}) (R_L = 100\ \Omega)$ (Fig.7)	t_{on}	TIL113			0.35		5
		t_{off}				55		100

ISOLATION CHARACTERISTICS							
Characteristic	Test Conditions	Symbol	Min	Typ**	Max	Units	
Input-Output Isolation Voltage ⁽²⁾	$(I_{I-O} \leq 1\ \mu\text{A}, V_{rms}, t = 1\text{ min.})$		5300			Vac(rms)	
Isolation Resistance ⁽²⁾	$(V_{I-O} = 500\text{ VDC})$	R_{ISO}		10^{11}		Ω	
Isolation Capacitance ⁽²⁾	$(V_{I-O} = \emptyset, f = 1\text{ MHz})$	C_{ISO}		0.8		pf	

Note
 ** Typical values at $T_A = 25^\circ\text{C}$

**CNX48U H11B1 H11B2 H11B255 H11B3
MOC8080 TIL113**

Fig. 1 Output Current vs. Input Current

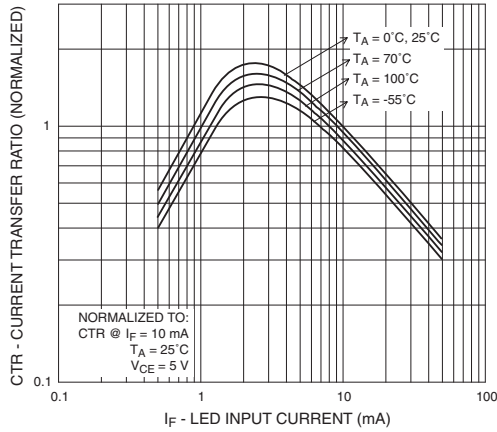


Fig. 2 Current Transfer Ratio vs. Ambient Temperature

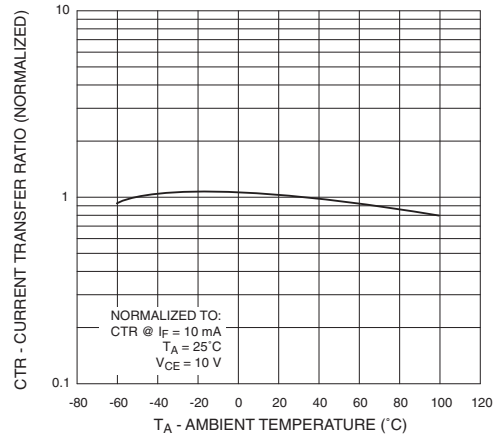


Fig. 3 Collector Current vs. Collector-Emitter Voltage

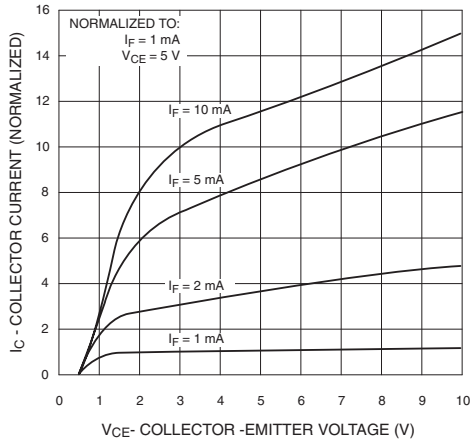


Fig. 4 Dark Current vs. Ambient Temperature

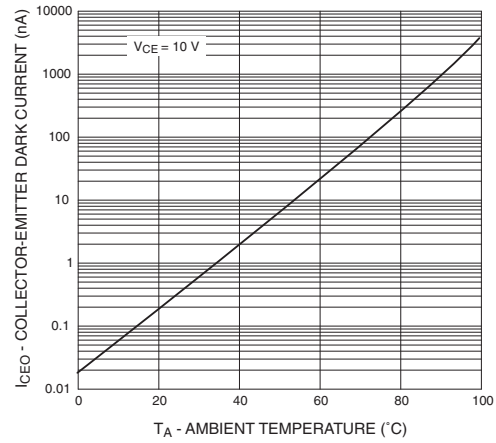


Fig. 5 Turn-On Time vs. Input Current

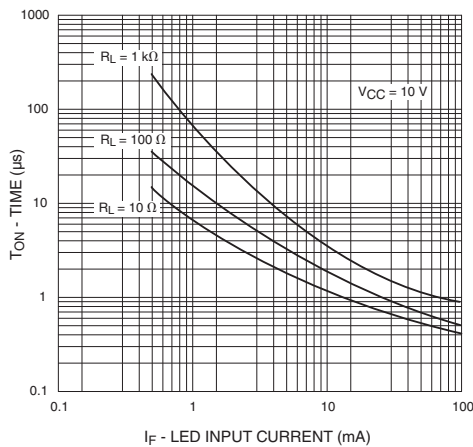
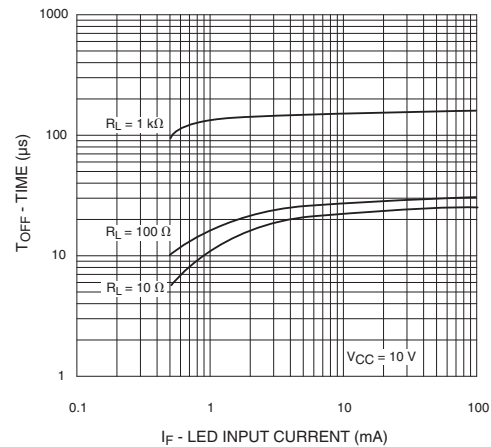


Fig. 6 Turn-Off Time vs. Input Current



CNX48U H11B1 H11B2 H11B255 H11B3
MOC8080 TIL113

TYPICAL ELECTRO-OPTICAL CHARACTERISTIC CURVES

(25°C Free air temperature unless otherwise specified) (Cont.)

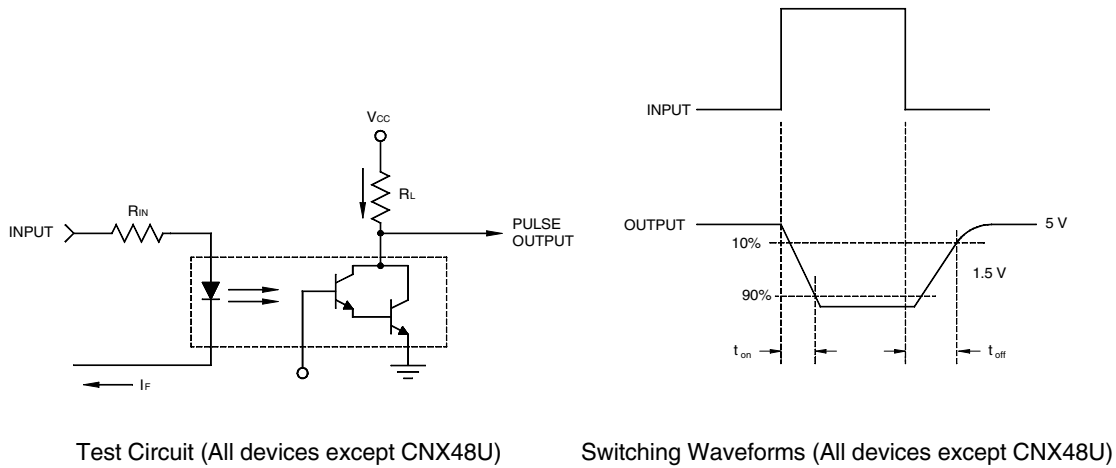


Fig. 7 Switching Time Test Circuit and Waveforms (All devices except CNX48U)

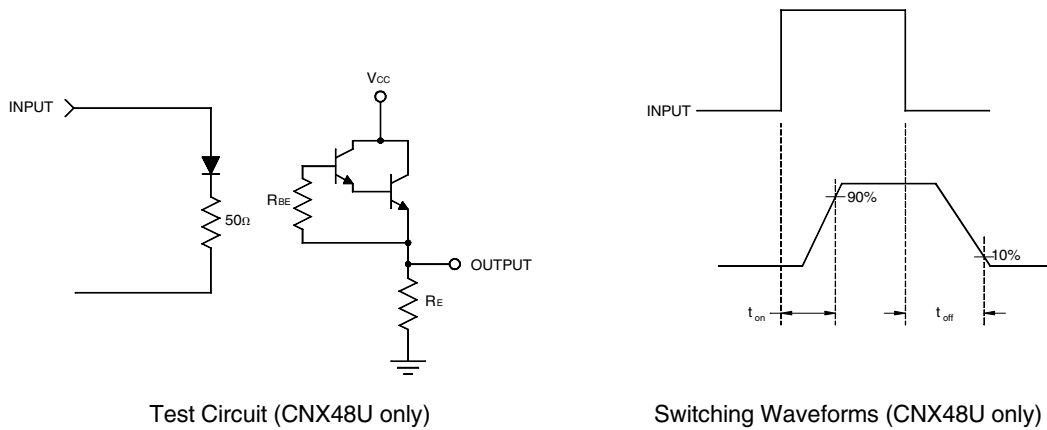
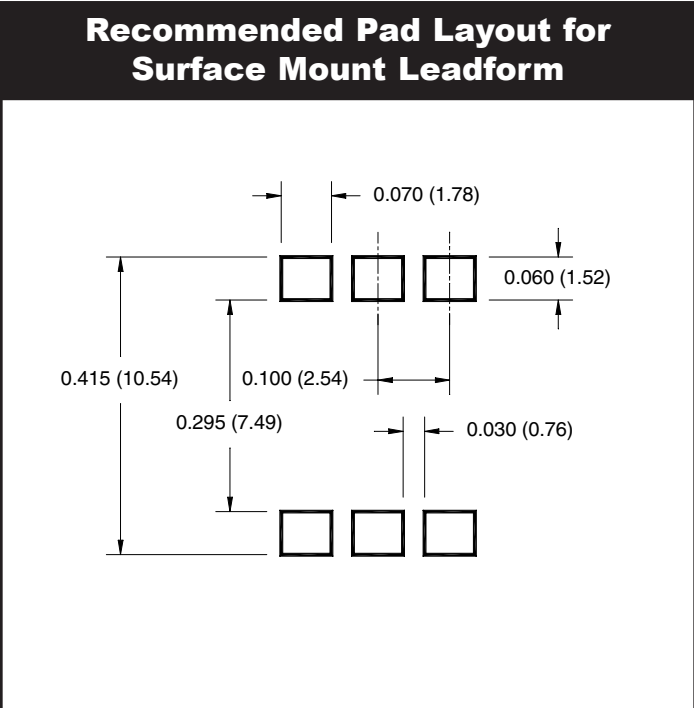
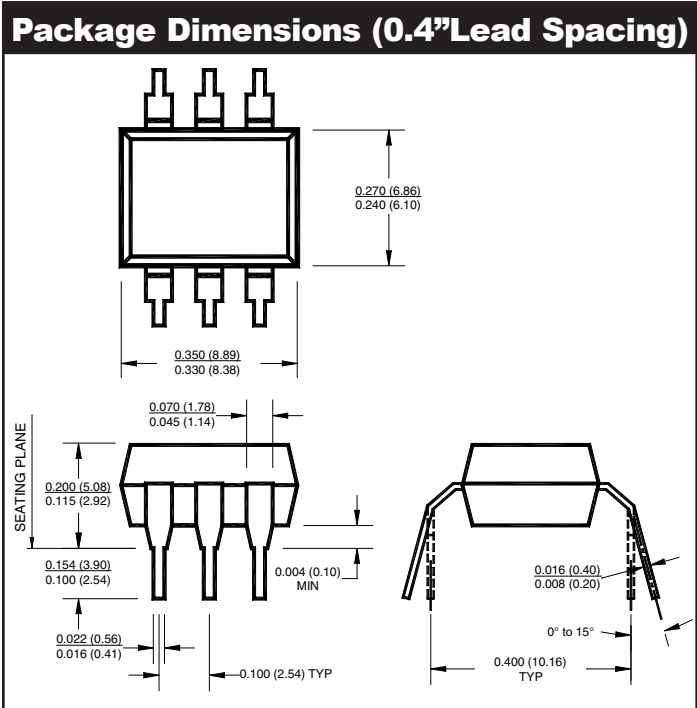
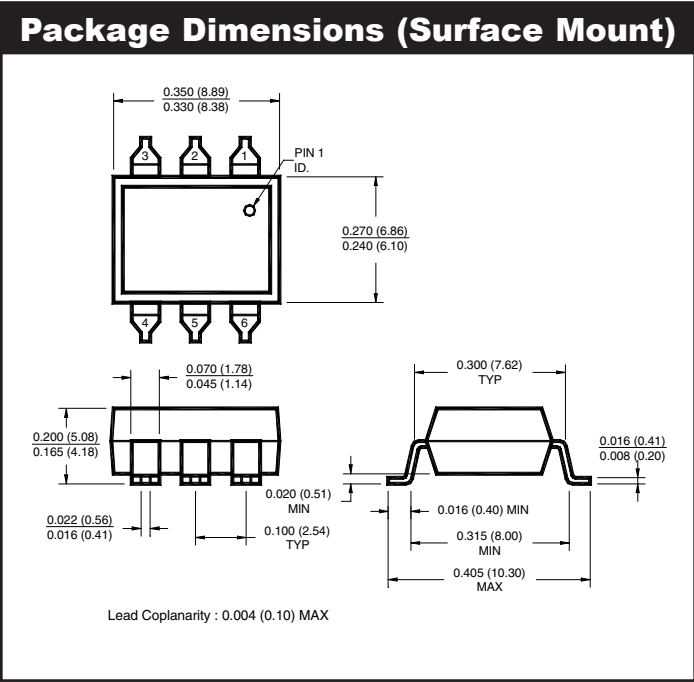
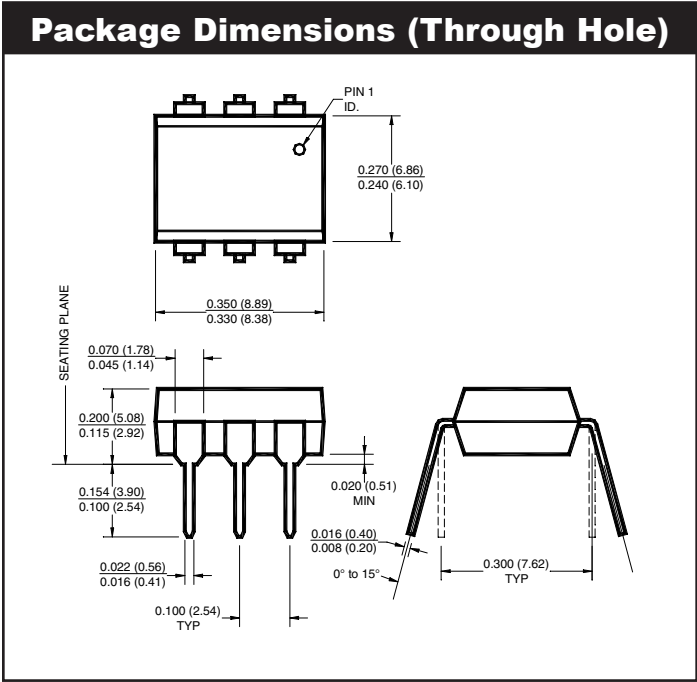


Fig. 8 Switching Time Test Circuit and Waveforms (CNX48U only)

Notes

1. The current transfer ratio(I_C/I_F) is the ratio of the detector collector current to the LED input current with $V_{CE} @ 10 V$.
2. For this test, LED pins 1 and 2 are common and phototransistor pins 4,5 and 6 are common.

CNX48U	H11B1	H11B2	H11B255	H11B3
MOC8080	TIL113			



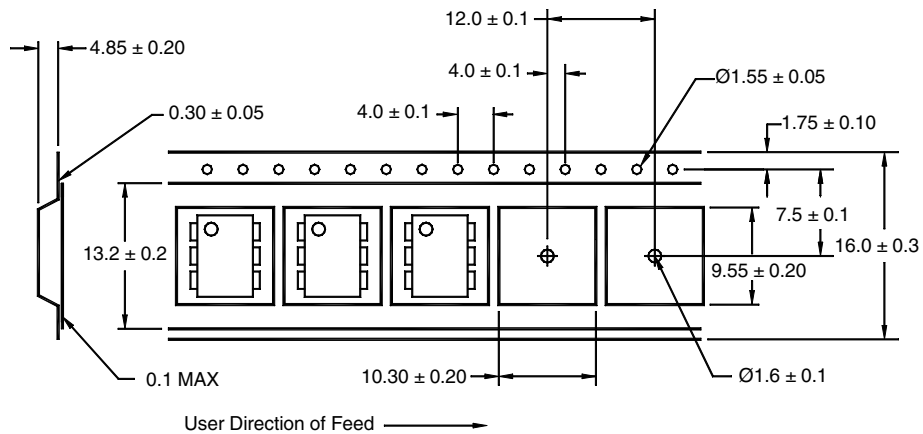
NOTE
All dimensions are in inches (millimeters)

CNX48U	H11B1	H11B2	H11B255	H11B3
MOC8080	TIL113			

ORDERING INFORMATION

Option	Order Entry Identifier	Description
S	.S	Surface Mount Lead Bend
SD	.SD	Surface Mount; Tape and reel
W	.W	0.4" Lead Spacing
300	.300	VDE 0884
300W	.300W	VDE 0884, 0.4" Lead Spacing
3S	.3S	VDE 0884, Surface Mount
3SD	.3SD	VDE 0884, Surface Mount, Tape & Reel

QT Carrier Tape Specifications ("D" Taping Orientation)



NOTE

All dimensions are millimeters

DISCLAIMER

FAIRCHILD SEMICONDUCTOR RESERVES THE RIGHT TO MAKE CHANGES WITHOUT FURTHER NOTICE TO ANY PRODUCTS HEREIN TO IMPROVE RELIABILITY, FUNCTION OR DESIGN. FAIRCHILD DOES NOT ASSUME ANY LIABILITY ARISING OUT OF THE APPLICATION OR USE OF ANY PRODUCT OR CIRCUIT DESCRIBED HEREIN; NEITHER DOES IT CONVEY ANY LICENSE UNDER ITS PATENT RIGHTS, NOR THE RIGHTS OF OTHERS.

LIFE SUPPORT POLICY

FAIRCHILD'S PRODUCTS ARE NOT AUTHORIZED FOR USE AS CRITICAL COMPONENTS IN LIFE SUPPORT DEVICES OR SYSTEMS WITHOUT THE EXPRESS WRITTEN APPROVAL OF THE PRESIDENT OF FAIRCHILD SEMICONDUCTOR CORPORATION. As used herein:

1. Life support devices or systems are devices or systems which, (a) are intended for surgical implant into the body, or (b) support or sustain life, and (c) whose failure to perform when properly used in accordance with instructions for use provided in the labeling, can be reasonably expected to result in a significant injury of the user.
2. A critical component in any component of a life support device or system whose failure to perform can be reasonably expected to cause the failure of the life support device or system, or to affect its safety or effectiveness.

Home >> Find products >>

TIL113

6-pin DIP Photodarlington Output Optocoupler

Contents

- [General description](#)
- [Features](#)
- [Applications](#)
- [Ordering information](#)
- [Product status/pricing/packaging](#)
- [Order Samples](#)
- [Safety agency certificates](#)
- [Qualification Support](#)

General description

The CNX48U, H11BX, MOC8080 and TIL113 have a gallium arsenide infrared emitter optically coupled to a silicon planar photodarlington.

[back to top](#)

Features

- High sensitivity to low input drive current
- Meets or exceeds all JEDEC registered specifications
- VDE 0884 approval available as a test option - add option .300 (e.g. H11B1.300)

[back to top](#)

Applications

- Low power logic circuits
- Telecommunications equipment
- Portable electronics
- Solid state relays
- Interfacing coupling systems of different potentials and impedances

[back to top](#)

BUY

Datasheet

[Download this datasheet](#)



[e-mail this datasheet](#)



This page

[Print version](#)

Related Links

[Request samples](#)

[How to order products](#)

[Product Change Notices \(PCNs\)](#)

[Support](#)

[Sales support](#)

[Quality and reliability](#)

[Design center](#)

Ordering information









The following options can be ordered with this part:

Option	Order Entry Identifier	Description
300	.300	VDE 0884
3S	.3S	Option S (see below); VDE 0884
3SD	.3SD	Option S (see below); VDE 0884; Tape and Reel
S	.S	Surface-Mount Lead Bend
SD	.SD	Option S; Tape and Reel
W	.W	10 mm Lead Bend
300W	.300W	10 mm Lead Bend; VDE 0884

[back to top](#)

Product status/pricing/packaging

BUY

Product	Product status	Pb-free Status	Package type	Leads	Packing method
TIL113	Lifetime Buy		DIP-B	6	BULK
TIL113300	Lifetime Buy		DIP-B	6	BULK
TIL113300W	Lifetime Buy		DIP-B	6	BULK
TIL1133S	Lifetime Buy		SMDIP-B	6	BULK
TIL1133SD	Lifetime Buy		SMDIP-B	6	TAPE REEL
TIL113S	Lifetime Buy		SMDIP-B	6	BULK
TIL113SD	Lifetime Buy		SMDIP-B	6	TAPE REEL
TIL113W	Lifetime Buy		DIP-B	6	BULK



Indicates product with Pb-free second-level interconnect. For more information [click here](#).

[back to top](#)

Safety agency certificates

Certificate	Agency	
E90700, Vol. 1 (936 K)	UL (1577)	Underwriters Laboratories Inc.
E90700, Vol. 1 (936 K)	C-UL	Underwriters Laboratories Inc.
0122085 (677 K)	SEMKO	SEMKO
P01101067 (1638 K)	NEMKO	NEMKO
FI 16812 (964 K)	FIMKO	FIMKO
310684-02 (623 K)	DEMKO	DEMKO Testing & Certification
1027742 (2305 K)	CSA	Canadian Standards Association

[back to top](#)

Qualification Support

Click on a product for detailed qualification data

Product
TIL113
TIL113300
TIL113300W
TIL1133S
TIL1133SD
TIL113S
TIL113SD
TIL113W

[back to top](#)

© 2007 Fairchild Semiconductor

