

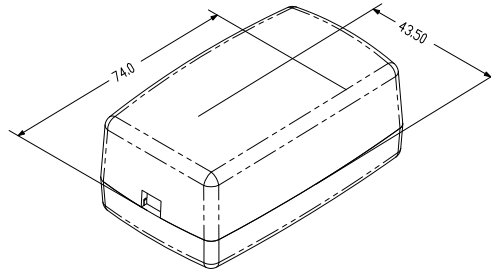
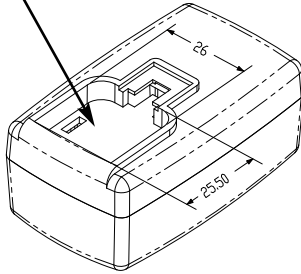
PROPRIETARY INFORMATION: PROPRIETARY OF GLOBTEK, INC. ANY REPRODUCTION, DISCLOSURE OR USE OF THIS DRAWING, IN WHOLE OR IN PART, IS HEREBY PROHIBITED EXCEPT AS SPECIFIED IN WRITING BY GLOBTEK, INC.	REVISION			
	REV	DESCRIPTION	DATE	APPROVED
	A	INITIAL RELEASE, RFS. 25781, DH	01/15/15	HM



STANDARD OPTION SHIPS WITHOUT AC PINS INSTALLED



PRELIMINARY

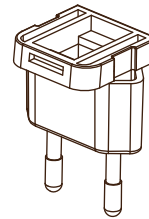
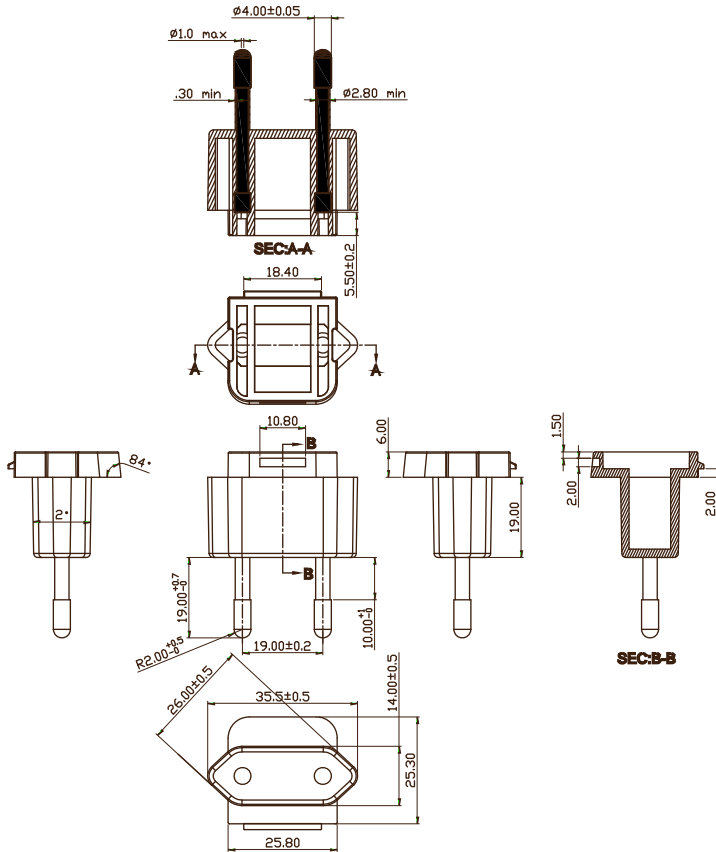


1. MATERIAL

HIGH IMPACT PLASTIC, 94V0 POLYCARBONATE, NON-VENTED, COLOR WHITE (RAL9003)

2. INPUT CONNECTOR:

BRAZIL CONFIGURATION NBR6147: BRAZIL 2 PINS, CLASS II



Note:

1. No label tolerance refer to tolerance sheet.
2. "*" is the important dimension.
3. Plastic material: PC+ABS 94-V0.
4. Color: White
5. Metal pin material: Brass.
6. Metal pin Finish: nickelage.

Tolerance table			
RANGE	GRADE 1	GRADE 2	GRADE
0-4	+/-0.05	+/-0.1	+/-0
4-16	+/-0.08	+/-0.15	+/-0
16-64	+/-0.12	+/-0.25	+/-0
64-250	+/-0.25	+/-0.4	+/-0

RELEASED

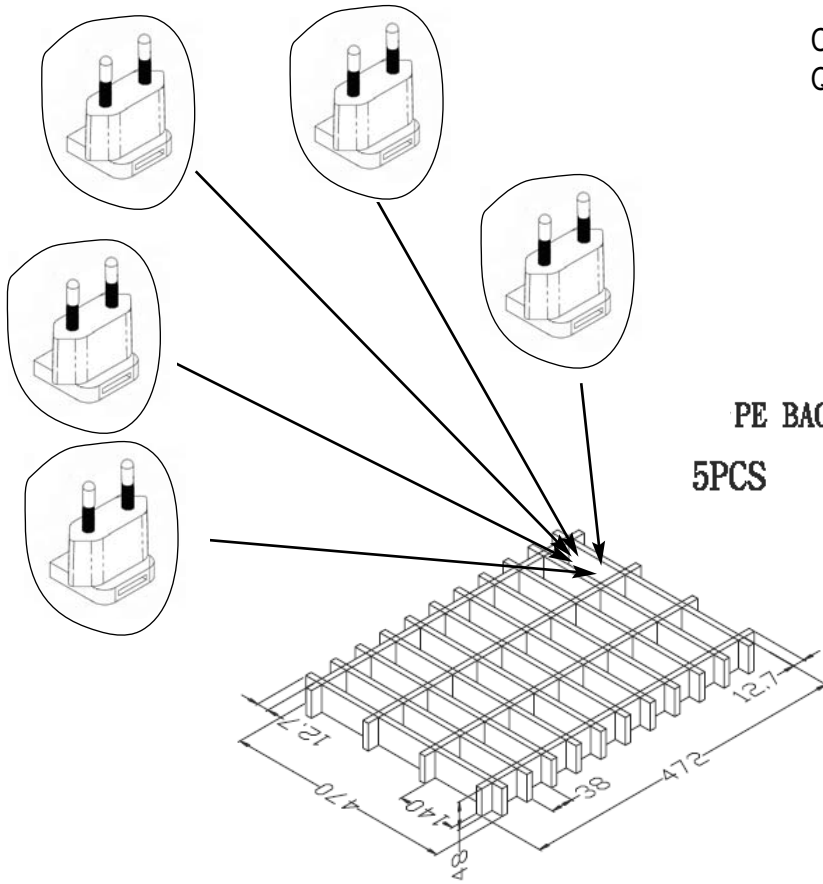
By N.Frost at 1:54 pm, Jan 16, 2015

Foot Note: Globtek Inc. will not be liable for the safety and performance of these power supplies if unauthorized access and repair occurs. End user should consult applicable UL, CSA or EN standards for proper installation instructions	DASH NO.	PART NO	REV.	DESCRIPTION	NOTES
	TABULATION BLOCK				
Limitation of Use: Globtek product are not authorized for use as mission critical components in life support, hazardous environment, nuclear or aircraft applications without prior written approval from the CEO of Globtek Inc.	INIT.BY: DH	DATE: 01/15/15	TOLERANCES: DECIMALS ANGULAR .xx +/- 0.1 +/- 1' .xxx +/- .005		186 Veterans Dr. Northvale, NJ 07647 Tel. 201-784-1000 Fax 201.784.0111 www.globtek.com
	DRAWN: NF	DATE: 01/15/15	MILLIMETERS ANGULAR .xx +/- 0.3 +/- 1' .xxx +/- .013	FSCN No.: G, N	
	APRVD : HM	DATE: 01/15/15	SCALE: NONE	MODEL NO: N/A	REV. A
				PART NO: Q-BR-WH(R)	SHEET 1 OF 2

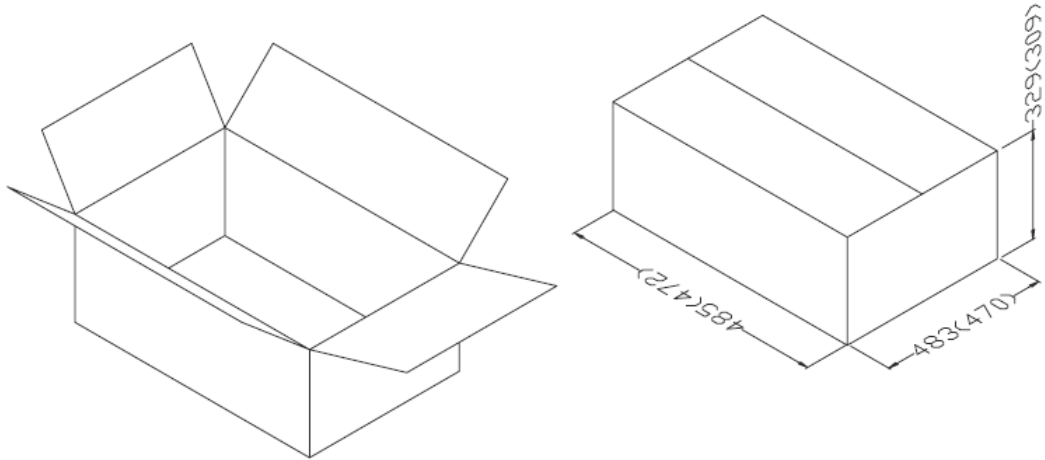
PROPRIETARY INFORMATION:
 PROPRIETARY OF GLOBTEK, INC. ANY REPRODUCTION, DISCLOSURE OR
 USE OF THIS DRAWING, IN WHOLE OR IN PART, IS HEREBY
 PROHIBITED EXCEPT AS SPECIFIED IN WRITING BY GLOBTEK, INC.


3. PACKING:

CARTON SIZE: 485 x 483 x 329
 Q'TY: 900 pcs (150 x 6)



PE BAG(SIZE:80X200)
 5PCS



 GlobTek, Inc. www.globtek.com		186 Veterans Dr. Northvale, NJ 07647 Tel. 201-784-1000 Fax 201.784.0111	
DWG TITLE: BRAZIL INTERCHANGEABLE INPUT BLADES, WHITE			
MODEL NO: N/A			REV. A
PART NO: Q-BR-WH(R)			SHEET 2 OF 2