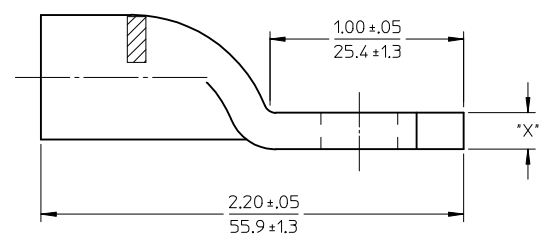
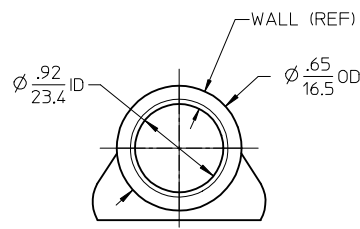
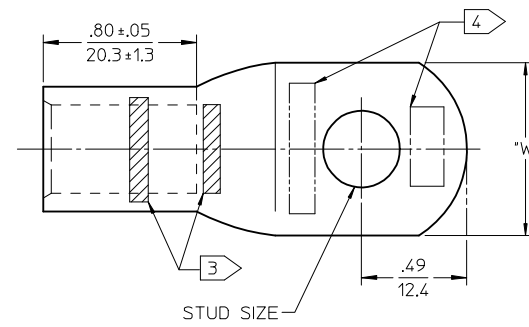


| CABLE GAUGE | COLOR CODE | WALL THICKNESS (B) | "X" DIMENSION (B) | MATERIAL NUMBER |            |            |            | (B) "W"±.03(0.8) |            |            |            |
|-------------|------------|--------------------|-------------------|-----------------|------------|------------|------------|------------------|------------|------------|------------|
|             |            |                    |                   | STUD SIZE       |            |            |            | 1/4"             | 5/16"      | 3/8"       | 1/2"       |
|             |            |                    |                   | 1/4"            | 5/16"      | 3/8"       | 1/2"       |                  |            |            |            |
| 8           | GREY       | .095(2.41)         | .19(4.83)         | I922 I0064      | I922 I0065 | I922 I0066 | -----      | .56(14.2)        | .71(18.0)  | .71(18.0)  | -----      |
| 6           | GREY       | .065(1.65)         | .13(3.30)         | I922 I0059      | I922 I0060 | I922 I0061 | -----      | .55(14.0)        | .76(19.3)  | .74(18.8)  | -----      |
| 4           | GREY       | .065(1.65)         | .13(3.30)         | I922 I0055      | I922 I0056 | I922 I0057 | I922 I0058 | .57(14.5)        | .75(19.1)  | .75(19.1)  | .75(19.1)  |
| 1 & 2       | PINK       | .085(2.16)         | .17(4.32)         | I922 I0043      | I922 I0044 | I922 I0045 | I922 I0048 | .80(20.3)        | .80(20.3)  | .80(20.3)  | .80(20.3)  |
| 1/0         | BLACK      | .095(2.41)         | .17(4.32)         | I922 I0069      | I922 I0070 | I922 I0071 | I922 I0072 | .87(22.1)        | .88(22.4)  | .87(22.1)  | .88(22.4)  |
| 2/0         | ORANGE     | .078(1.98)         | .16(4.06)         | I922 I0077      | I922 I0078 | I922 I0079 | I922 I0080 | .93(23.6)        | .93(23.6)  | .93(23.6)  | .93(23.6)  |
| 3/0         | PURPLE     | .100(2.54)         | .20(5.10)         | I922 I0085      | I922 I0086 | I922 I0087 | I922 I0088 | 1.06(26.9)       | 1.06(26.9) | 1.06(26.9) | 1.06(26.9) |
| 4/0         | YELLOW     | .110(2.79)         | .22(5.59)         | I922 I0093      | I922 I0094 | I922 I0095 | I922 I0096 | 1.14(29.0)       | 1.14(29.0) | 1.14(29.0) | 1.14(29.0) |



SALES DRAWING

NOTE(S):  
 1. MATERIAL: COPPER.  
 2. FINISH: TIN PLATED.  
 (B) 3 TERMINALS COLOR MATCHED WITH CABLE AND CRIMP DIES.  
 (B) 4 COLOR CODE, LETTER CODE AND CABLE SIZE STAMPED LOCATION.

| <b>FIXED DIMENSIONS</b><br>EC NO: ETC2005-0098<br>DRWNG: DMYRICK 2004/12/13<br>CHKD: RDEROSS 2004/12/13<br>APPR: RDEROSS 2004/12/13 | QUALITY SYMBOLS<br>▽=0<br>▽=0 | GENERAL TOLERANCES (UNLESS SPECIFIED)<br><table border="1"> <tr> <th></th> <th>mm</th> <th>INCH</th> </tr> <tr> <td>4 PLACES</td> <td>± .---</td> <td>± .---</td> </tr> <tr> <td>3 PLACES</td> <td>± .---</td> <td>± .015</td> </tr> <tr> <td>2 PLACES</td> <td>± 0.38</td> <td>± .03</td> </tr> <tr> <td>1 PLACE</td> <td>± 0.76</td> <td>± .---</td> </tr> </table> |        | mm  | INCH | 4 PLACES | ± .--- | ± .--- | 3 PLACES | ± .--- | ± .015 | 2 PLACES | ± 0.38 | ± .03 | 1 PLACE | ± 0.76 | ± .--- | DIMENSION STYLE<br>IN/MM<br>DRAWN BY: DMYRICK<br>DATE: 04/12/10<br>CHECKED BY: RDEROSS<br>DATE: 04/12/10<br>APPROVED BY: RDEROSS<br>DATE: 04/12/10 | SCALE: TITLE: MAGNALUG BATTERY TERMINAL<br>DESIGN UNITS: INCH<br>THIRD ANGLE PROJECTION | MATERIAL NO. SEE CHART<br>DOCUMENT NO. SD-19221-002<br>SHEET NO. 1 OF 1 |
|---|-------------------------------|---|--------|---|------|----------|--------|--------|----------|--------|--------|----------|--------|-------|---------|--------|--------|--|---|---|
|   |                               | mm  | INCH   |   |      |          |        |        |          |        |        |          |        |       |         |        |        |  |   |   |
|   | 4 PLACES                      | ± .---  | ± .--- |   |      |          |        |        |          |        |        |          |        |       |         |        |        |  |   |   |
|   | 3 PLACES                      | ± .---  | ± .015 |   |      |          |        |        |          |        |        |          |        |       |         |        |        |  |   |   |
| 2 PLACES  | ± 0.38                        | ± .03   |        |   |      |          |        |        |          |        |        |          |        |       |         |        |        |  |   |   |
| 1 PLACE   | ± 0.76                        | ± .---  |        |   |      |          |        |        |          |        |        |          |        |       |         |        |        |  |   |   |
| DRAFT WHERE APPLICABLE MUST REMAIN WITHIN DIMENSIONS  |                               | MOLEX INCORPORATED  |        | THIS DRAWING CONTAINS INFORMATION THAT IS PROPRIETARY TO MOLEX INCORPORATED AND SHOULD NOT BE USED WITHOUT WRITTEN PERMISSION |      |          |        |        |          |        |        |          |        |       |         |        |        |  |   |   |