

# CTLVC5040F Series

From 1.0 $\mu$ H to 100 $\mu$ H



## CHARACTERISTICS

**Description:** SMD power inductors sealed with magnetic resin.

**Applications:** Smart phones, DSC, Tablet PC's, DC/DC converters, etc.

**Operating Temperature:** -55°C to 125°C (including self - temperature rise)

**Inductance Tolerance:**  $\pm 20\%$ ,  $\pm 30\%$

**Testing:** Inductance is tested on an HP4284A at 100kHz, 1V

**Packaging:** Tape & Reel.

**Marking:** Parts are marked with inductance code.

**Miscellaneous:** **RoHS Compliant.**

**Additional Information:** Additional electrical & physical information available upon request.

**Samples available. See website for ordering information.**

## SPECIFICATIONS

Please specify inductance tolerance code when ordering.

CTLVC5040F-2R2\_  $\leftarrow$  M =  $\pm 20\%$ , N =  $\pm 30\%$

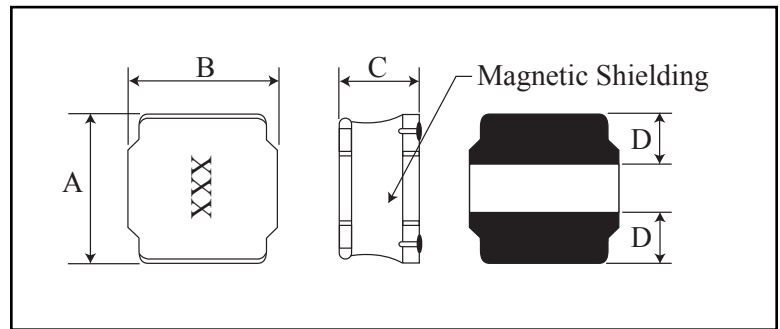
\*Isat: DC current (A) that will cause L to drop approximately 30%.

\*\*Irms: DC current (A) that will cause an approximate  $\Delta T$  of 40°C.

Part Number	Inductance ( $\mu$ H)	L Test Freq. (kHz)	DCR $\pm 30\%$ (m $\Omega$ )	*Isat Typ.(Max.) (A)	**Irms Typ.(Max.) (A)
CTLVC5040F-1R0N	1.0	100	14	7.5(6.75)	4.6(4.14)
CTLVC5040F-1R2N	1.2	100	15	7.4(6.66)	4.5(4.05)
CTLVC5040F-1R5N	1.5	100	16	7.1(6.39)	4.4(3.96)
CTLVC5040F-2R2_	2.2	100	21	5.7(5.13)	3.7(3.33)
CTLVC5040F-3R0_	3.0	100	26	4.8(4.32)	3.5(3.15)
CTLVC5040F-3R3_	3.3	100	26	4.8(4.32)	3.5(3.15)
CTLVC5040F-4R7_	4.7	100	32	4.2(3.78)	3.2(2.88)
CTLVC5040F-6R8_	6.8	100	50	3.3(2.97)	2.4(2.16)
CTLVC5040F-100_	10	100	60	2.8(2.52)	2.2(1.98)
CTLVC5040F-150_	15	100	90	2.3(2.07)	1.8(1.62)
CTLVC5040F-220_	22	100	135	1.8(1.62)	1.4(1.26)
CTLVC5040F-270_	27	100	180	1.6(1.44)	1.2(1.08)
CTLVC5040F-330_	33	100	190	1.5(1.35)	1.1(0.99)
CTLVC5040F-470_	47	100	310	1.2(1.08)	0.9(0.81)
CTLVC5040F-101_	100	100	800	0.7(0.60)	0.6(0.50)

## PHYSICAL DIMENSIONS

Size	A	B	C	D
mm	5.0 $\pm$ 0.2	5.0 $\pm$ 0.2	4.0 $\pm$ 0.2, -0.3	1.6 $\pm$ 0.3
inches	0.197 $\pm$ 0.008	0.197 $\pm$ 0.008	0.157 $\pm$ 0.008, -0.012	0.063 $\pm$ 0.012



## PAD LAYOUT

Unit: mm

