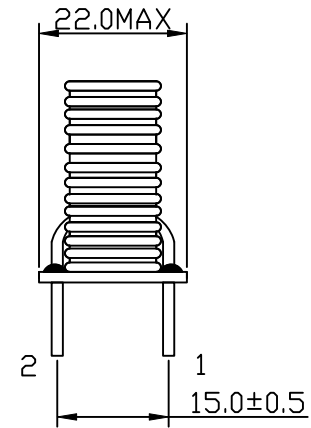
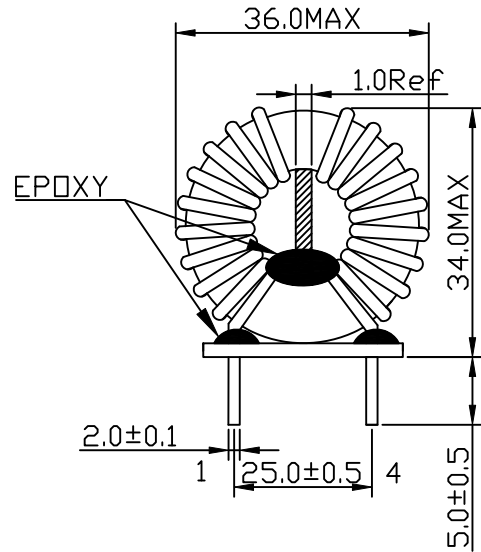


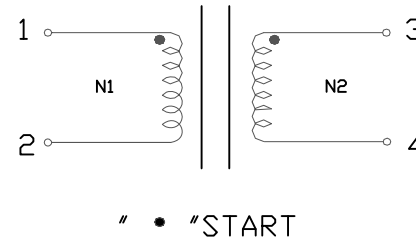
CONFIGURATION & DIMENSIONS:




ELECTRICAL SPECIFICATION: @25°C

Inductance: @10KHZ/0.1V
 L(1-2): 2.5mH +50%, -30%
 L(4-3): 2.5mH +50%, -30%
 DCR:
 (1-2)=2.5mΩ MAX
 (4-3)=2.5mΩ MAX
 Rated current: 25A MAX
 Turns Ratio: @20KHZ/1V
 (1-2):(4-3)=1:1±2%
 Hi-pot:
 N1 to N2: 500VAC/3mA/3s

SCHEMATIC:



NOTE:
 THIS PART IS ROHS COMPLIANT

GENERAL TOLERANCES (UNLESS SPECIFIED)				TITLE: COMMON MODE CHOKE			PART NO: EBLTC26V-2.5MH			
							APPROVED BY	CHECKED BY	DRAWN BY	UNIT
.X = ±0.40mm				ES	LL	HM	SHEET	1	OF	1
.XX = ±0.25mm				TRIGON COMPONENTS, INC.			www.trigoncomponents.com			
.XXX = ±0.10mm				01	11-27-2020	HM				
ANGULAR ±3°				REV	DATE	SIGN				