



74VHC4066 Quad Analog Switch

Features

- Typical switch enable time: 15ns
- Wide analog input voltage range: 0–12V
- Low “ON” resistance: 30 Typ. ('4066)
- Low quiescent current: 80µA maximum (74VHC)
- Matched switch characteristics
- Individual switch controls
- Pin and function compatible with the 74HC4066

General Description

These devices are digitally controlled analog switches utilizing advanced silicon-gate CMOS technology. These switches have low “ON” resistance and low “OFF” leakages. They are bidirectional switches, thus any analog input may be used as an output and visa-versa. Also the 4066 switches contain linearization circuitry which lowers the “ON” resistance and increases switch linearity. The 4066 devices allow control of up to 12V (peak) analog signals with digital control signals of the same range. Each switch has its own control input which disables each switch when low. All analog inputs and outputs and digital inputs are protected from electrostatic damage by diodes to V_{CC} and ground.

Ordering Information

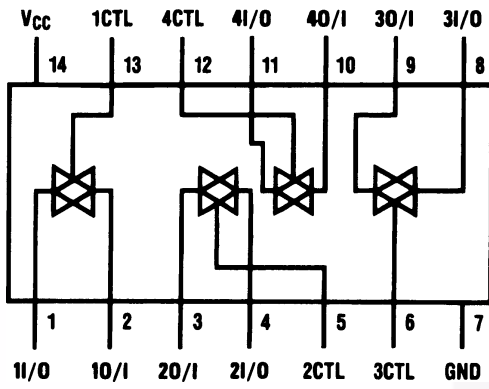
Order Number	Package Number	Package Description
74VHC4066M	M14A	14-Lead Small Outline Integrated Circuit (SOIC), JEDEC MS-012, 0.150" Narrow
74VHC4066MTC	MTC14	14-Lead Thin Shrink Small Outline Package (TSSOP), JEDEC MO-153, 4.4mm Wide

Device also available in Tape and Reel. Specify by appending suffix letter “X” to the ordering number.

 All packages are lead free per JEDEC: J-STD-020B standard.



Connection Diagram

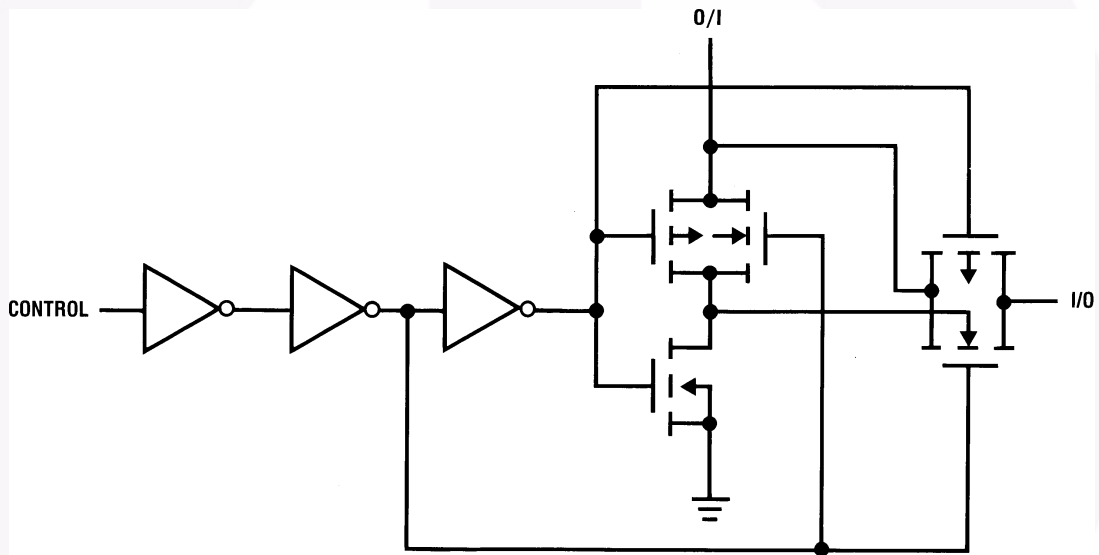


Top View

Truth Table

Input	Switch
CTL	I/O—O/I
L	“OFF”
H	“ON”

Schematic Diagram



Absolute Maximum Ratings⁽¹⁾

Stresses exceeding the absolute maximum ratings may damage the device. The device may not function or be operable above the recommended operating conditions and stressing the parts to these levels is not recommended. In addition, extended exposure to stresses above the recommended operating conditions may affect device reliability. The absolute maximum ratings are stress ratings only.

Symbol	Parameter	Rating
V_{CC}	Supply Voltage	-0.5 to +15V
V_{IN}	DC Control Input Voltage	-1.5 to $V_{CC}+1.5V$
V_{IO}	DC Switch I/O Voltage	$V_{EE}-0.5$ to $V_{CC}+0.5V$
I_{IK}, I_{OK}	Clamp Diode Current	$\pm 20mA$
I_{OUT}	DC Output Current, per pin	$\pm 25mA$
I_{CC}	DC V_{CC} or GND Current, per pin	$\pm 50mA$
T_{STG}	Storage Temperature Range	-65°C to +150°C
P_D	Power Dissipation	600mW
	S.O. Package only	500mW
T_L	Lead Temperature (Soldering 10 seconds)	260°C

Note:

1. Unless otherwise specified all voltages are referenced to ground.

Recommended Operating Conditions

The Recommended Operating Conditions table defines the conditions for actual device operation. Recommended operating conditions are specified to ensure optimal performance to the datasheet specifications. Fairchild does not recommend exceeding them or designing to absolute maximum ratings.

Symbol	Parameter	Min.	Max.	Units	
V_{CC}	Supply Voltage	2	12	V	
V_{IN}, V_{OUT}	DC Input or Output Voltage	0	V_{CC}	V	
T_A	Operating Temperature Range	-40	+85	°C	
t_r, t_f	Input Rise or Fall Times		$V_{CC} = 2.0V$	1000	ns
			$V_{CC} = 4.5V$	500	
			$V_{CC} = 9.0V$	400	

DC Electrical Characteristics⁽²⁾

Symbol	Parameter	Conditions	V _{CC}	T _A =25°C		T _A = -40°C to 85°C	Units
				Typ	Guaranteed Limits		
V _{IH}	Minimum HIGH Level Input Voltage		2.0V		1.5	1.5	V
			4.5V		3.15	3.15	
			9.0V		6.3	5.3	
			12.0V		8.4	8.4	
V _{IL}	Maximum LOW Level Input Voltage		2.0V		0.5	0.5	V
			4.5V		1.35	1.35	
			9.0V		2.7	2.7	
			12.0V		3.6	3.6	
R _{ON}	Maximum "ON" Resistance ⁽³⁾	V _{CTL} = V _{IH} , I _S = 2.0mA, V _{IS} = V _{CC} to GND (Fig. 1)	4.5V	100	170	200	Ω
			9.0V	50	85	105	
			12.0V	30	70	85	
		V _{CTL} = V _{IH} , I _S = 2.0mA, V _{IS} = V _{CC} or GND (Fig. 1)	2.0V	120	180	215	
			4.5V	50	80	100	
			9.0V	35	60	75	
			12.0V	20	40	60	
			R _{ON}	Maximum "ON" Resistance Matching	V _{CTL} = V _{IH} , V _{IS} = V _{CC} to GND	4.5V	
9.0V	5	10				15	
12.0V	5	10				15	
I _{IN}	Maximum Control Input Current	V _{IN} = V _{CC} or GND, V _{CC} = 2 – 6V			±0.05	±0.5	μA
I _{IZ}	Maximum Switch "OFF" Leakage Current	V _{OS} = V _{CC} or GND, V _{IS} = GND or V _{CC} , V _{CTL} = V _{IL} (Fig. 2)	6.0V	10	±60	±600	nA
			9.0V	15	±80	±800	
			12.0V	20	±100	±1000	
I _{IZ}	Maximum Switch "ON" Leakage Current	V _{IS} = V _{CC} to GND, V _{CTL} = V _{IH} , V _{OS} = OPEN (Fig. 3)	6.0V	10	±40	±150	nA
			9.0V	15	±50	±200	
			12.0V	20	±60	±300	
I _{CC}	Maximum Quiescent Supply Current	V _{IN} = V _{CC} or GND, I _{OUT} = 0μA	6.0V		1.0	10	μA
			9.0V		2.0	20	
			12.0V		4.0	40	

Notes:

- For a power supply of 5V ± 10% the worst case on resistance (R_{ON}) occurs for VHC at 4.5V. Thus the 4.5V values should be used when designing with this supply. Worst case V_{IH} and V_{IL} occur at V_{CC} = 5.5V and 4.5V respectively. (The V_{IH} value at 5.5V is 3.85V.) The worst case leakage current occurs for CMOS at the higher voltage and so the 5.5V values should be used.
- At supply voltages (V_{CC} – GND) approaching 2V the analog switch on resistance becomes extremely non-linear. Therefore it is recommended that these devices be used to transmit digital only when using these supply voltages.

AC Electrical Characteristics $V_{CC} = 2.0V-6.0V$ $V_{EE} = 0V-12V$, $C_L = 50pF$ (unless otherwise specified)

Symbol	Parameter	Conditions	V_{CC}	$T_A = 25^\circ C$		$T_A = -40^\circ C$ to $85^\circ C$	Units
				Typ.	Guaranteed Limits		
t_{PHL} , t_{PLH}	Maximum Propagation Delay Switch In to Out		3.3V	25	30	20	ns
			4.5V	5	10	13	
			9.0V	4	8	10	
			12.0V	3	7	11	
t_{PZL} , t_{PZH}	Maximum Switch Turn "ON" Delay	$R_L = 1k\Omega$	3.3V	30	58	73	ns
			4.5V	12	20	25	
			9.0V	6	12	15	
			12.0V	5	10	13	
t_{PHZ} , t_{PLZ}	Maximum Switch Turn "OFF" Delay	$R_L = 1k\Omega$	3.3V	60	100	125	ns
			4.5V	25	36	45	
			9.0V	20	32	40	
			12.0V	15	30	38	
	Minimum Frequency Response (Fig. 7) $20 \log (V_O/V_i) = -3dB$	$R_L = 600\Omega$, $V_{IS} = 2 V_{PP}$ at $(V_{CC} / 2)^{(4)(5)}$	4.5V	40			MHz
			9.0V	100			
	Crosstalk Between any Two Switches (Fig. 8)	$R_L = 600\Omega$, $F = 1MHz^{(5)(6)}$	4.5V	-52			dB
			9.0V	-50			
	Peak Control to Switch Feedthrough Noise (Fig. 9)	$R_L = 600\Omega$, $F = 1 MHz$, $C_L = 50 pF$	4.5V	100			mV
			9.0V	250			
	Switch OFF Signal Feedthrough Isolation (Fig. 10)	$R_L = 600\Omega$, $F = 1 MHz$, $V_{(CT)} V_{IL}^{(5)(6)}$	4.5V	-42			dB
			9.0V	-44			
THD	Total Harmonic Distortion (Fig. 11)	$R_L = 10 k\Omega$, $C_L = 50pF$, $F = 1kHz$ $V_{IS} = 4 V_{PP}$ $V_{IS} = 8 V_{PP}$	4.5V 9.0V	.013 .008			%
C_{IN}	Maximum Control Input Capacitance			5	10	10	pF
C_{IN}	Maximum Switch Input Capacitance			20			pF
C_{IN}	Maximum Feedthrough Capacitance	$V_{CTL} = GND$		0.5			pF
C_{PD}	Power Dissipation Capacitance			15			pF

Notes:

- Adjust 0dBm for $F = 1kHz$ (Null R_L / R_{ON} Attenuation).
- V_{IS} is centered at $V_{CC} / 2$.
- Adjust input for 0dBm.

AC Test Circuits and Switching Time Waveforms

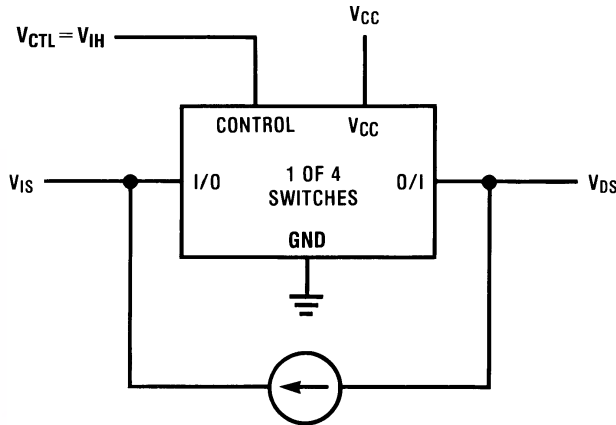


Figure 1. "ON" Resistance

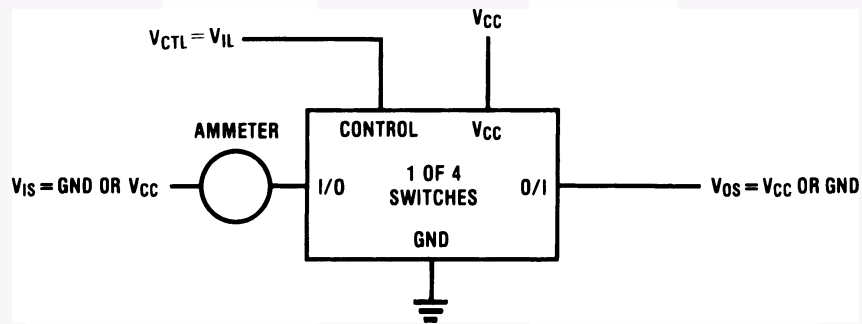


Figure 2. "OFF" Channel Leakage Current

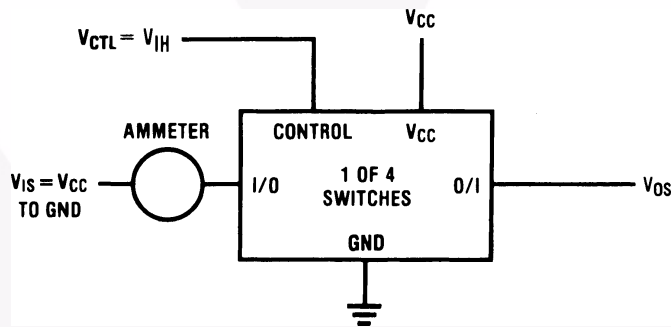


Figure 3. "ON" Channel Leakage Current

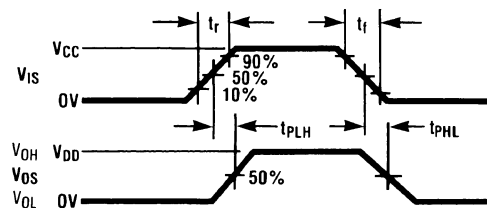
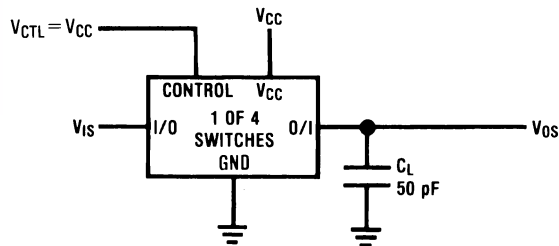


Figure 4. t_{PHL} , t_{PLH} Propagation Delay Time Signal Input to Signal Output

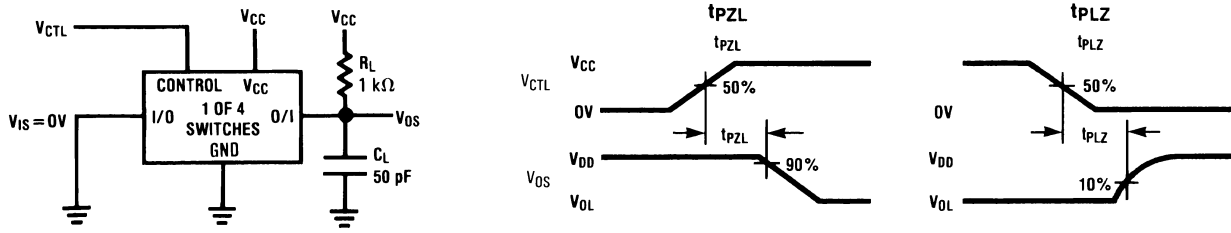


Figure 5. t_{PZL} , t_{PLZ} Propagation Delay Time Control to Signal Output

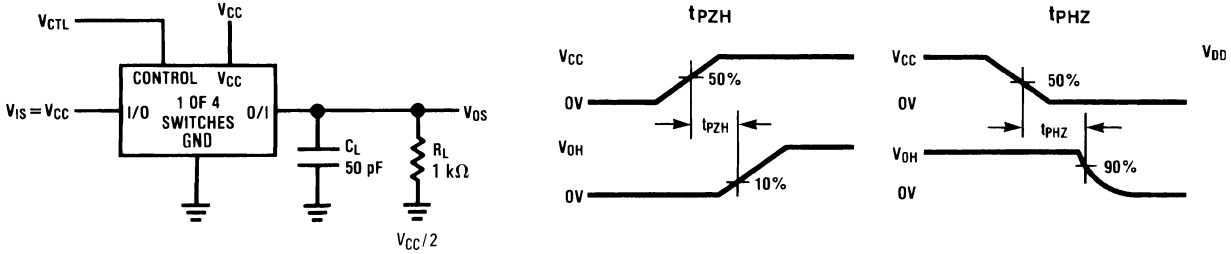


Figure 6. t_{PZH} , t_{PHZ} Propagation Delay Time Control to Signal Output

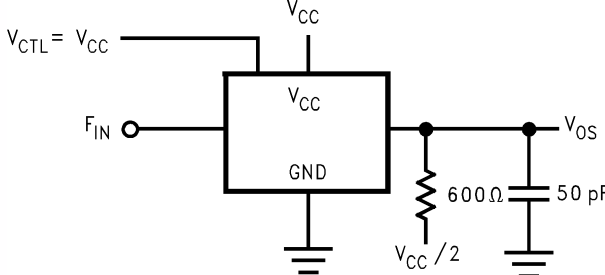


Figure 7. Frequency Response

Crosstalk and Distortion Test Circuits

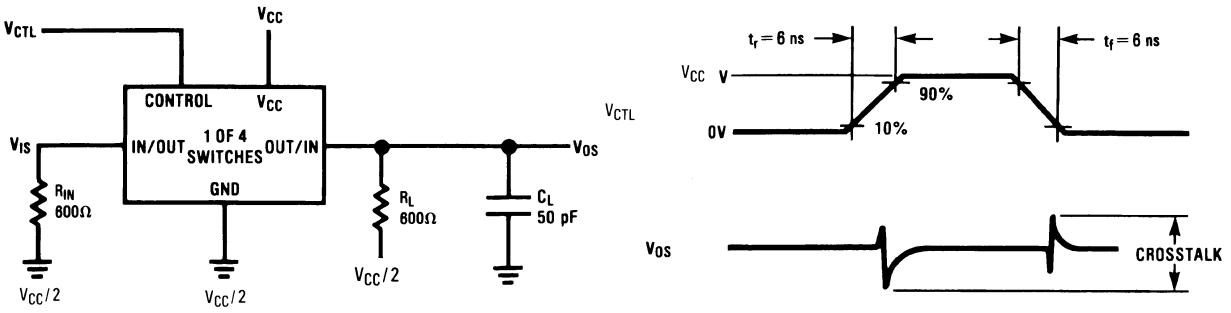


Figure 8. Crosstalk: Control Input to Signal Output

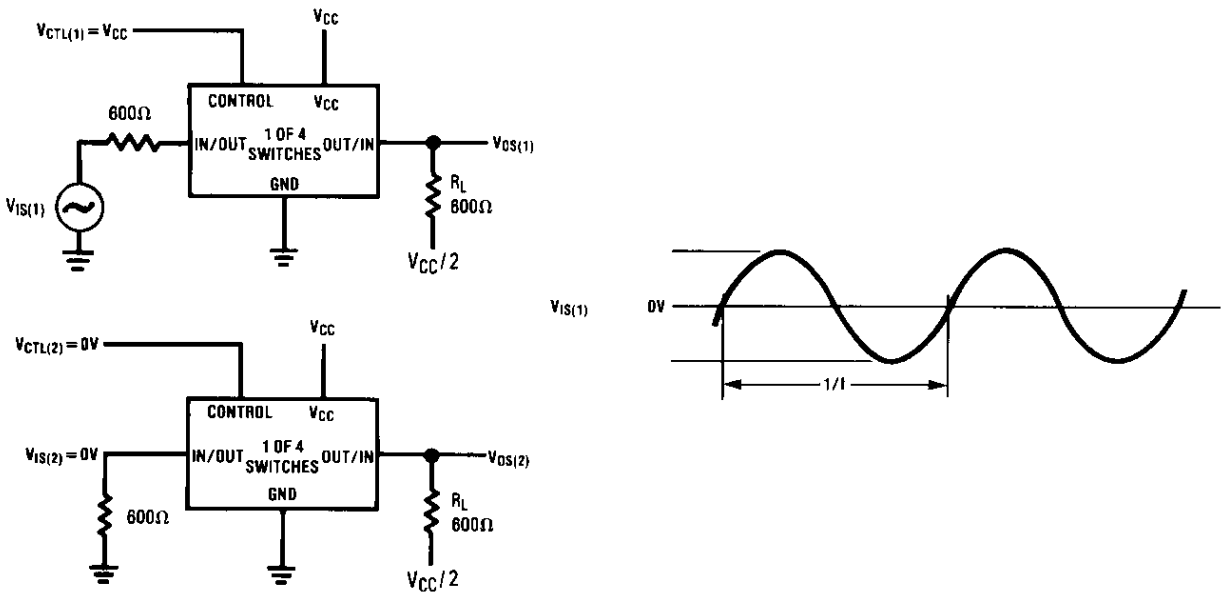


Figure 9. Crosstalk Between Any Two Switches

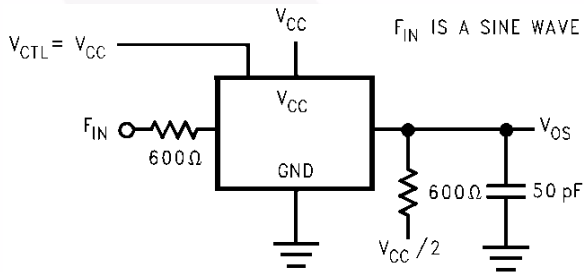


Figure 10. Switch OFF Signal Feedthrough Isolation

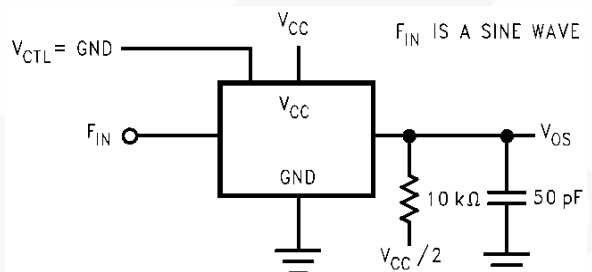
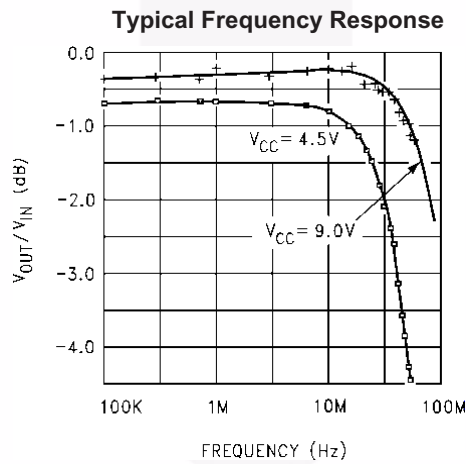
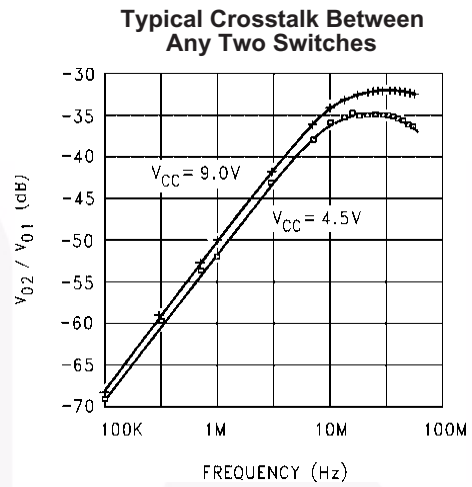
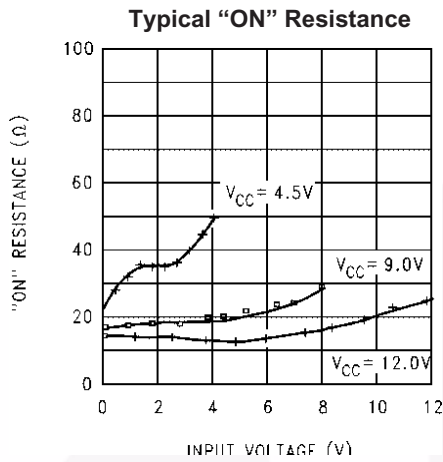


Figure 11. Sinewave Distortion

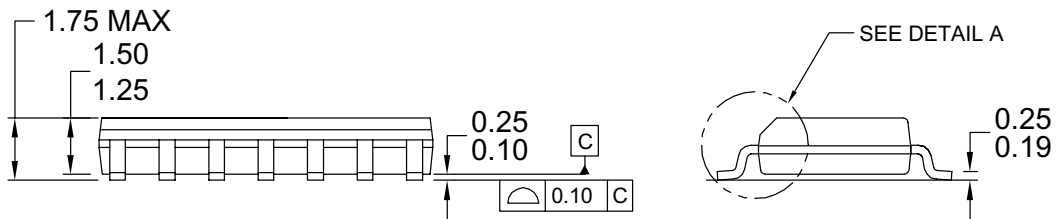
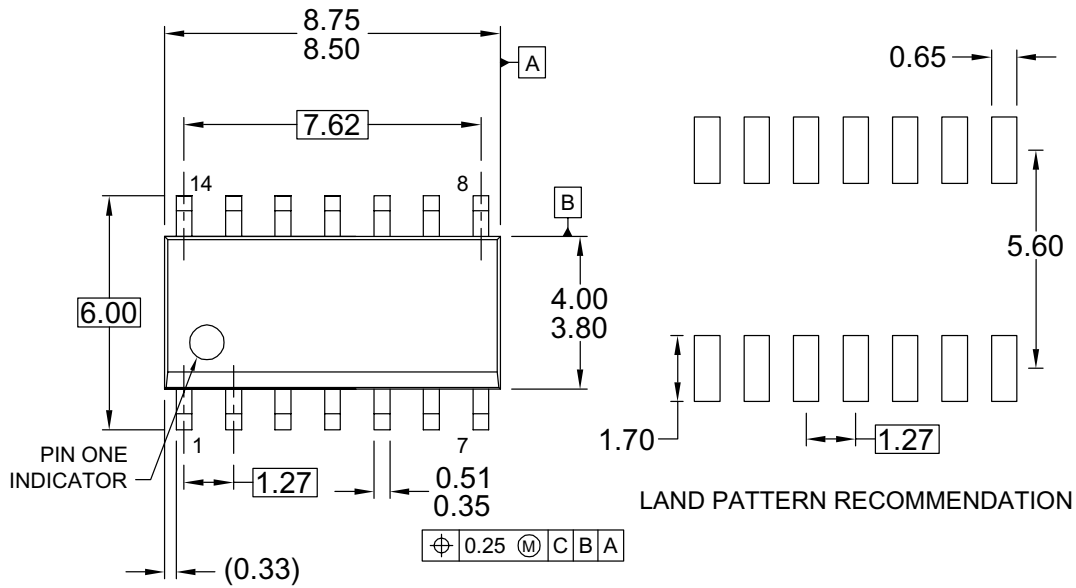
Typical Performance Characteristics



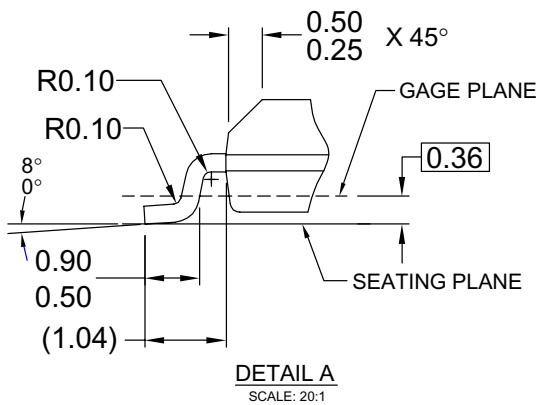
Special Considerations

In certain applications the external load-resistor current may include both V_{CC} and signal line components. To avoid drawing V_{CC} current when switch current flows into the analog switch input pins, the voltage drop across the switch must not exceed 0.6V (calculated from the ON Resistance).

Physical Dimensions



NOTES: UNLESS OTHERWISE SPECIFIED



- A) THIS PACKAGE CONFORMS TO JEDEC MS-012, VARIATION AB, ISSUE C,
- B) ALL DIMENSIONS ARE IN MILLIMETERS.
- C) DIMENSIONS DO NOT INCLUDE MOLD FLASH OR BURRS.
- D) LANDPATTERN STANDARD: SOIC127P600X145-14M
- E) DRAWING CONFORMS TO ASME Y14.5M-1994
- F) DRAWING FILE NAME: M14AREV13

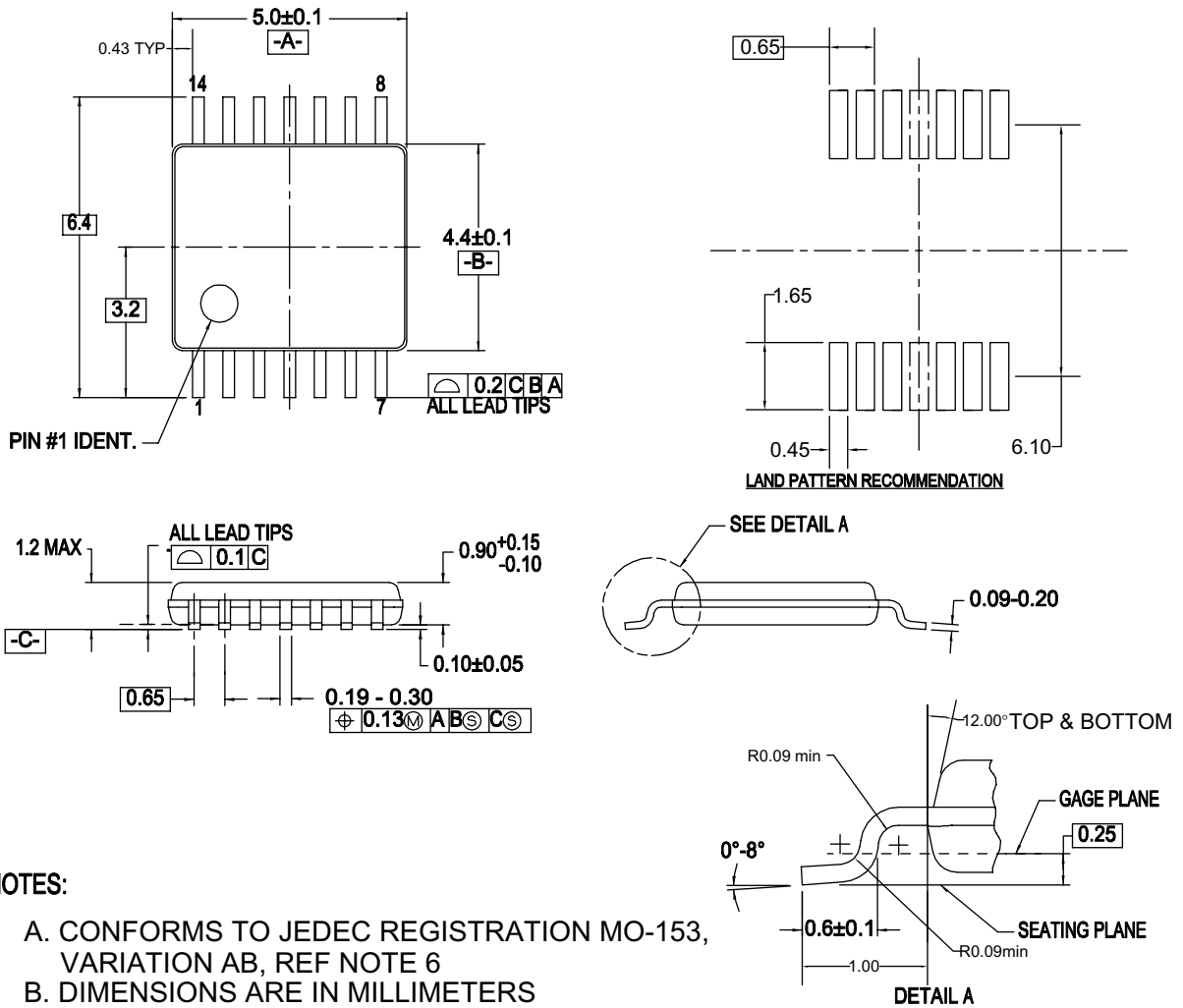
Figure 12. 14-Lead Small Outline Integrated Circuit (SOIC), JEDEC MS-012, 0.150" Narrow

Package drawings are provided as a service to customers considering Fairchild components. Drawings may change in any manner without notice. Please note the revision and/or date on the drawing and contact a Fairchild Semiconductor representative to verify or obtain the most recent revision. Package specifications do not expand the terms of Fairchild's worldwide terms and conditions, specifically the warranty therein, which covers Fairchild products.

Always visit Fairchild Semiconductor's online packaging area for the most recent package drawings:

<http://www.fairchildsemi.com/packaging/>

Physical Dimensions (Continued)



NOTES:

- A. CONFORMS TO JEDEC REGISTRATION MO-153, VARIATION AB, REF NOTE 6
- B. DIMENSIONS ARE IN MILLIMETERS
- C. DIMENSIONS ARE EXCLUSIVE OF BURRS, MOLD FLASH, AND TIE BAR EXTRUSIONS
- D. DIMENSIONING AND TOLERANCES PER ANSI Y14.5M, 1982
- E. LANDPATTERN STANDARD: SOP65P640X110-14M
- F. DRAWING FILE NAME: MTC14REV6

Figure 13. 14-Lead Thin Shrink Small Outline Package (TSSOP), JEDEC MO-153, 4.4mm Wide

Package drawings are provided as a service to customers considering Fairchild components. Drawings may change in any manner without notice. Please note the revision and/or date on the drawing and contact a Fairchild Semiconductor representative to verify or obtain the most recent revision. Package specifications do not expand the terms of Fairchild's worldwide terms and conditions, specifically the warranty therein, which covers Fairchild products.

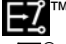

Always visit Fairchild Semiconductor's online packaging area for the most recent package drawings:

<http://www.fairchildsemi.com/packaging/>



TRADEMARKS

The following includes registered and unregistered trademarks and service marks, owned by Fairchild Semiconductor and/or its global subsidiaries, and is not intended to be an exhaustive list of all such trademarks.

- | | | | |
|---|--|--|----------------------------------|
| ACEx [®] | FPST [™] | PDP-SPM [™] | SyncFET [™] |
| Build it Now [™] | FRFET [®] | Power220 [®] | SYSTEM [®] |
| CorePLUS [™] | Global Power Resource SM | Power247 [®] | GENERAL [®] |
| CROSSVOLT [™] | Green FPS [™] | POWEREDGE [®] | The Power Franchise [®] |
| CTL [™] | Green FPS [™] e-Series [™] | Power-SPM [™] | the power [™] |
| Current Transfer Logic [™] | GTO [™] | PowerTrench [®] | franchise |
| EcoSPARK [®] | i-Lo [™] | Programmable Active Droop [™] | TinyBoost [™] |
| EZSWITCH [™] * | IntelliMAX [™] | QFET [®] | TinyBuck [™] |
|  ™ | ISOPLANAR [™] | QS [™] | TinyLogic [®] |
|  ™ | MegaBuck [™] | QT Optoelectronics [™] | TINYOPTO [™] |
| Fairchild [®] | MICROCOUPLER [™] | Quiet Series [™] | TinyPower [™] |
| Fairchild Semiconductor [®] | MicroFET [™] | RapidConfigure [™] | TinyPWM [™] |
| FACT Quiet Series [™] | MicroPak [™] | SMART START [™] | TinyWire [™] |
| FACT [®] | MillerDrive [™] | SPM [®] | μSerDes [™] |
| FAST [®] | Motion-SPM [™] | STEALTH [™] | UHC [®] |
| FastvCore [™] * | OPTOLOGIC [®] | SuperFET [™] | Ultra FRFET [™] |
| FlashWriter [®] * | OPTOPLANAR [®] | SuperSOT [™] -3 | UniFET [™] |
| | | SuperSOT [™] -6 | VCX [™] |
| | | SuperSOT [™] -8 | |

* EZSWITCH[™] and FlashWriter[®] are trademarks of System General Corporation, used under license by Fairchild Semiconductor.

DISCLAIMER

FAIRCHILD SEMICONDUCTOR RESERVES THE RIGHT TO MAKE CHANGES WITHOUT FURTHER NOTICE TO ANY PRODUCTS HEREIN TO IMPROVE RELIABILITY, FUNCTION, OR DESIGN. FAIRCHILD DOES NOT ASSUME ANY LIABILITY ARISING OUT OF THE APPLICATION OR USE OF ANY PRODUCT OR CIRCUIT DESCRIBED HEREIN; NEITHER DOES IT CONVEY ANY LICENSE UNDER ITS PATENT RIGHTS, NOR THE RIGHTS OF OTHERS. THESE SPECIFICATIONS DO NOT EXPAND THE TERMS OF FAIRCHILD'S WORLDWIDE TERMS AND CONDITIONS, SPECIFICALLY THE WARRANTY THEREIN, WHICH COVERS THESE PRODUCTS.

LIFE SUPPORT POLICY

FAIRCHILD'S PRODUCTS ARE NOT AUTHORIZED FOR USE AS CRITICAL COMPONENTS IN LIFE SUPPORT DEVICES OR SYSTEMS WITHOUT THE EXPRESS WRITTEN APPROVAL OF FAIRCHILD SEMICONDUCTOR CORPORATION.

As used herein:

1. Life support devices or systems are devices or systems which, (a) are intended for surgical implant into the body or (b) support or sustain life, and (c) whose failure to perform when properly used in accordance with instructions for use provided in the labeling, can be reasonably expected to result in a significant injury of the user.
2. A critical component in any component of a life support, device, or system whose failure to perform can be reasonably expected to cause the failure of the life support device or system, or to affect its safety or effectiveness.

PRODUCT STATUS DEFINITIONS

Definition of Terms

Datasheet Identification	Product Status	Definition
Advance Information	Formative or In Design	This datasheet contains the design specifications for product development. Specifications may change in any manner without notice.
Preliminary	First Production	This datasheet contains preliminary data; supplementary data will be published at a later date. Fairchild Semiconductor reserves the right to make changes at any time without notice to improve design.
No Identification Needed	Full Production	This datasheet contains final specifications. Fairchild Semiconductor reserves the right to make changes at any time without notice to improve the design.
Obsolete	Not In Production	This datasheet contains specifications on a product that has been discontinued by Fairchild Semiconductor. The datasheet is printed for reference information only.

Rev. I32