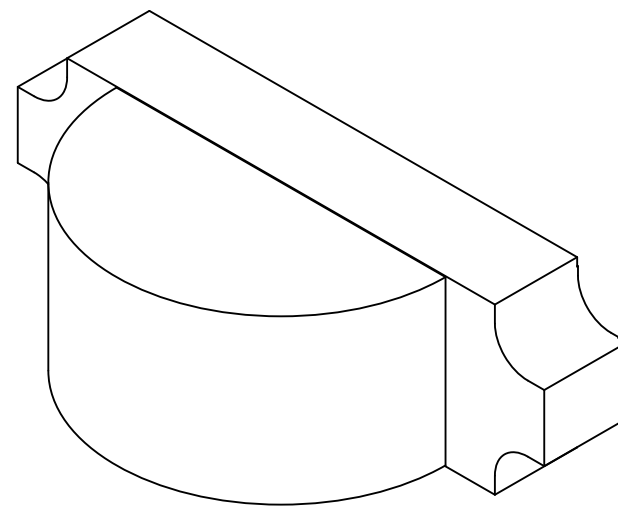
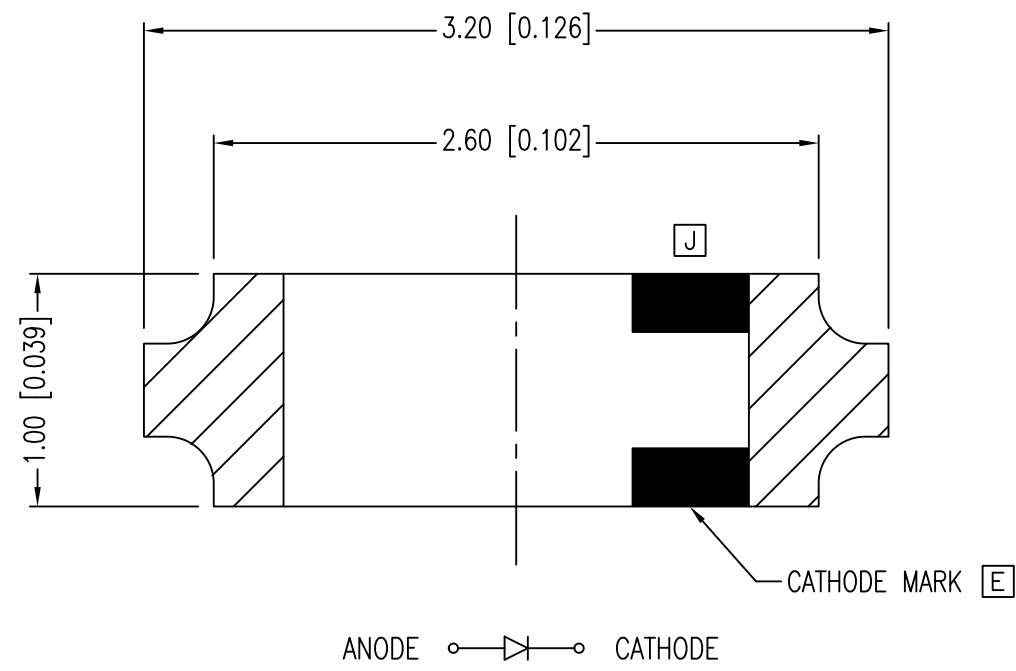
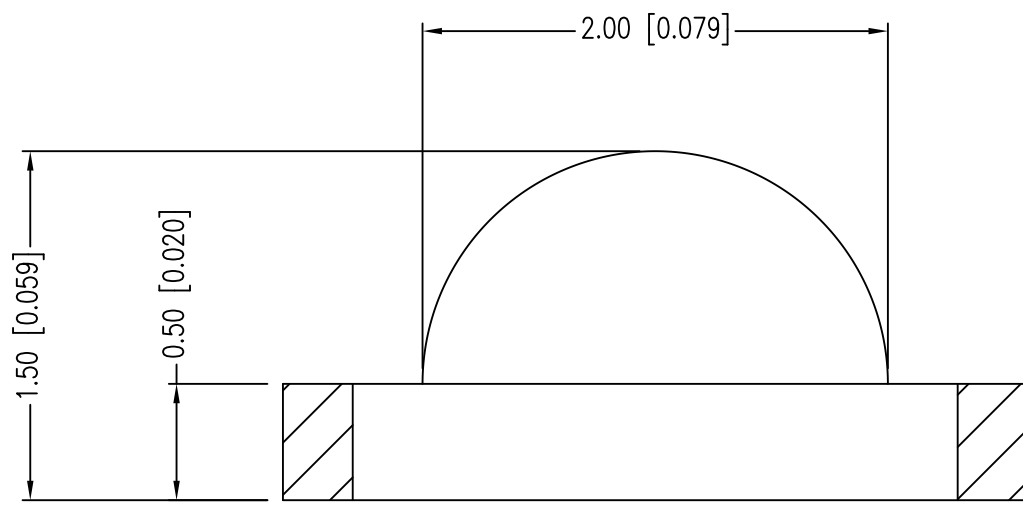


PART NUMBER	SML-LXR85SRC-TR	REV.	M
DATE	E.C.N. NUMBER AND REVISION COMMENTS		REV.
08.23.96	E.C.N. #10230.		A
10.24.96	E.C.N. #10263		B
05.02.97	E.C.N. #10338.		C
07.22.97	E.C.N. #10366.		D
09.19.97	E.C.N. #10380.		E
10.15.97	E.C.N. #10BRDR. & REDRAWN.		F
03.05.98	E.C.N. #10419.		G
10.23.98	E.C.N. #10471.		H
07.18.00	E.C.N. #10644.		I
07.30.01	E.C.N. #10BRDR. & #10771.		J
08.12.05	E.C.N. #11248.		K
03.18.11	E.C.N. #10BRDR. & REDRAWN/ #11704.		L
12.06.19	ECN-Lumex201900133		M



ELECTRO-OPTICAL CHARACTERISTICS TA =25°C If=20mA

PARAMETER	MIN	TYP.	MAX	UNITS	TEST COND
PEAK WAVELENGTH		660		nm	
FORWARD VOLTAGE		1.7	2.2	Vf	
REVERSE VOLTAGE	5.0			Vr	Ir=100µA
AXIAL INTENSITY		30		mcd	If=20mA
VIEWING ANGLE		160		2x theta	
EMITTED COLOR:	RED				
EPOXY LENS FINISH:	WATER CLEAR				



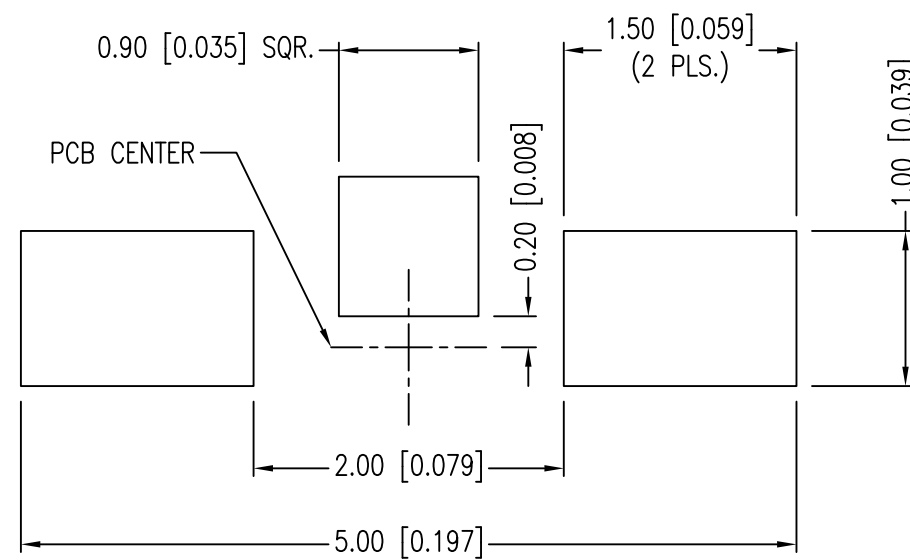
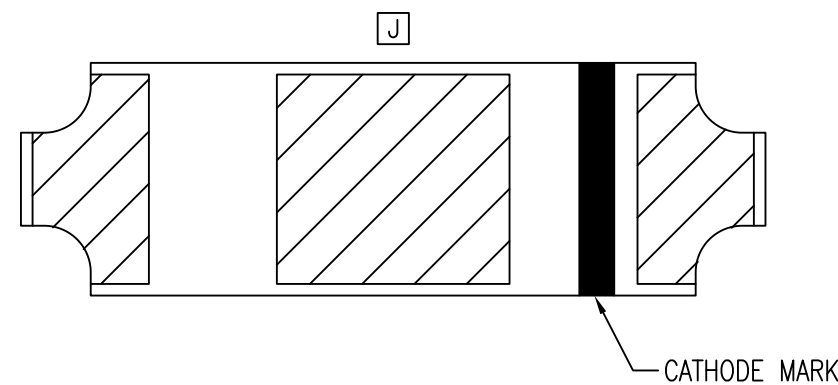
[I] LIMITS OF SAFE OPERATION AT 25°C

PARAMETER	MAX	UNITS
PEAK FORWARD CURRENT*	100	mA
STEADY CURRENT	30	mA
POWER DISSIPATION	80	mW
DERATE FROM 25°C	-1.2	mW/°C
OPERATING TEMP.	-25 TO +85	°C
STORAGE TEMP.	-30 TO +85	°C

\* t<10µs

[M] [L] CAUTION: MOISTURE SENSITIVE DEVICE  
PER JEDEC LEVEL 2a STANDARDS

[H] RECOMMENDED SOLDER PAD LAYOUT



\*UNLESS OTHERWISE SPECIFIED TOLERANCES PER DECIMAL PRECISION ARE: X=±1 (±0.039), X.X=±0.5 (±0.020), X.XX=±0.25 (±0.010), X.XXX=±0.127 (±0.005). LEAD SIZE=±0.05 (±0.002), LEAD LENGTH=±0.75 (±0.030). MIN.= +DECIMAL PRECISION -0.00 MAX.= +0.00 -DECIMAL PRECISION



425 N. GARY AVE.  
CAROL STREAM, IL 60188  
PHONE: 800-278-5666  
FAX: 630-315-2150  
WEB: WWW.LUMEX.COM

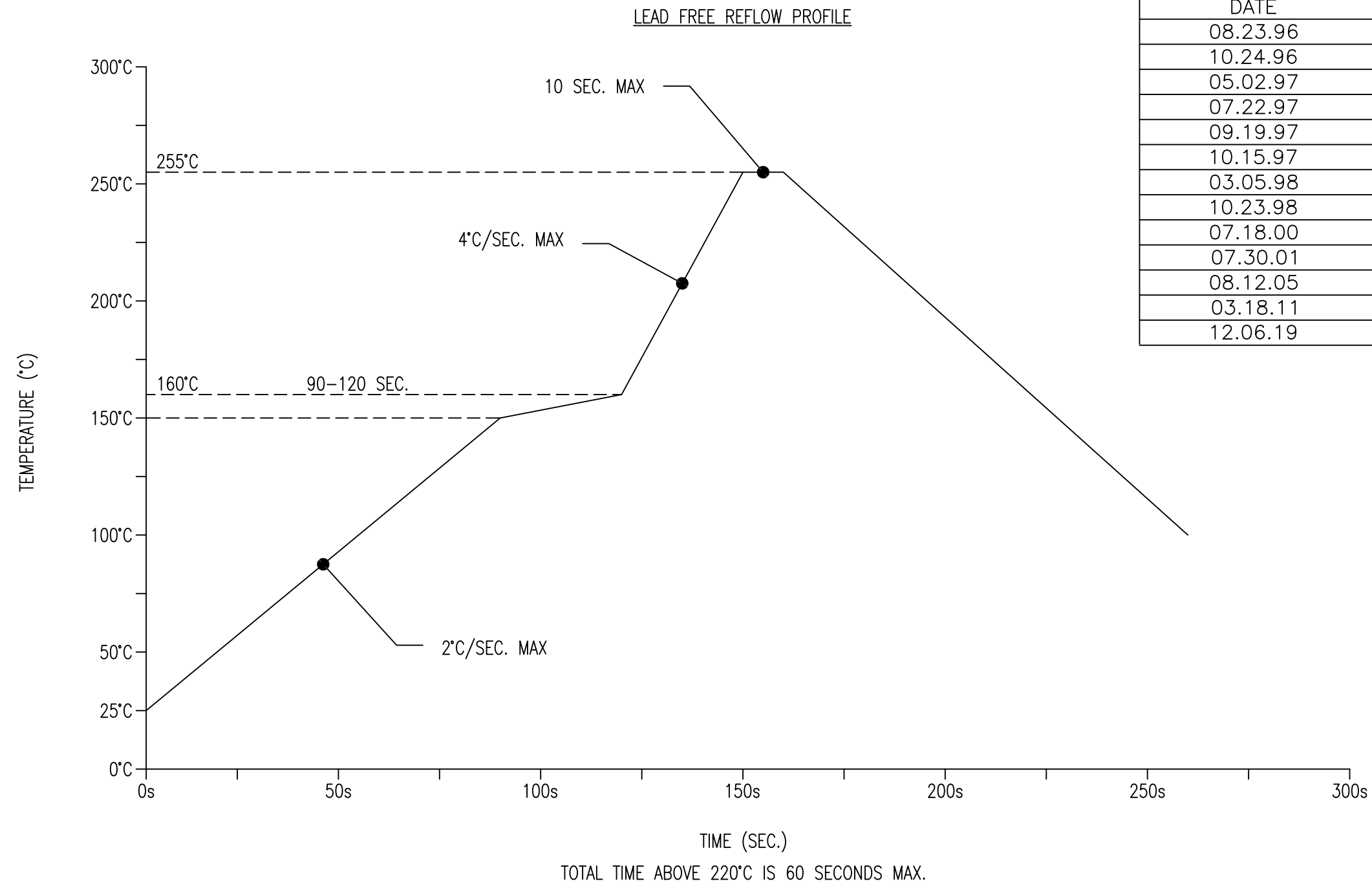
0.5mm x 3.2mm PCB, RIGHT ANGLE SURFACE MOUNT LED, 660nm RED, WATER CLEAR LENS, 3K PER REEL.

\*\*THE SPECIFICATIONS MAY CHANGE AT ANY TIME WITHOUT NOTICE.\*\*

CONFIDENTIAL INFORMATION  
THE INFORMATION CONTAINED IN THIS DOCUMENT IS THE PROPERTY OF LUMEX INC. EXCEPT AS SPECIFICALLY AUTHORIZED IN WRITING BY LUMEX INC., THE HOLDER OF THIS DOCUMENT SHALL KEEP ALL INFORMATION CONTAINED HEREIN CONFIDENTIAL AND SHALL PROTECT SAME IN WHOLE OR IN PART FROM DISCLOSURE AND DISSEMINATION TO ALL THIRD PARTIES.

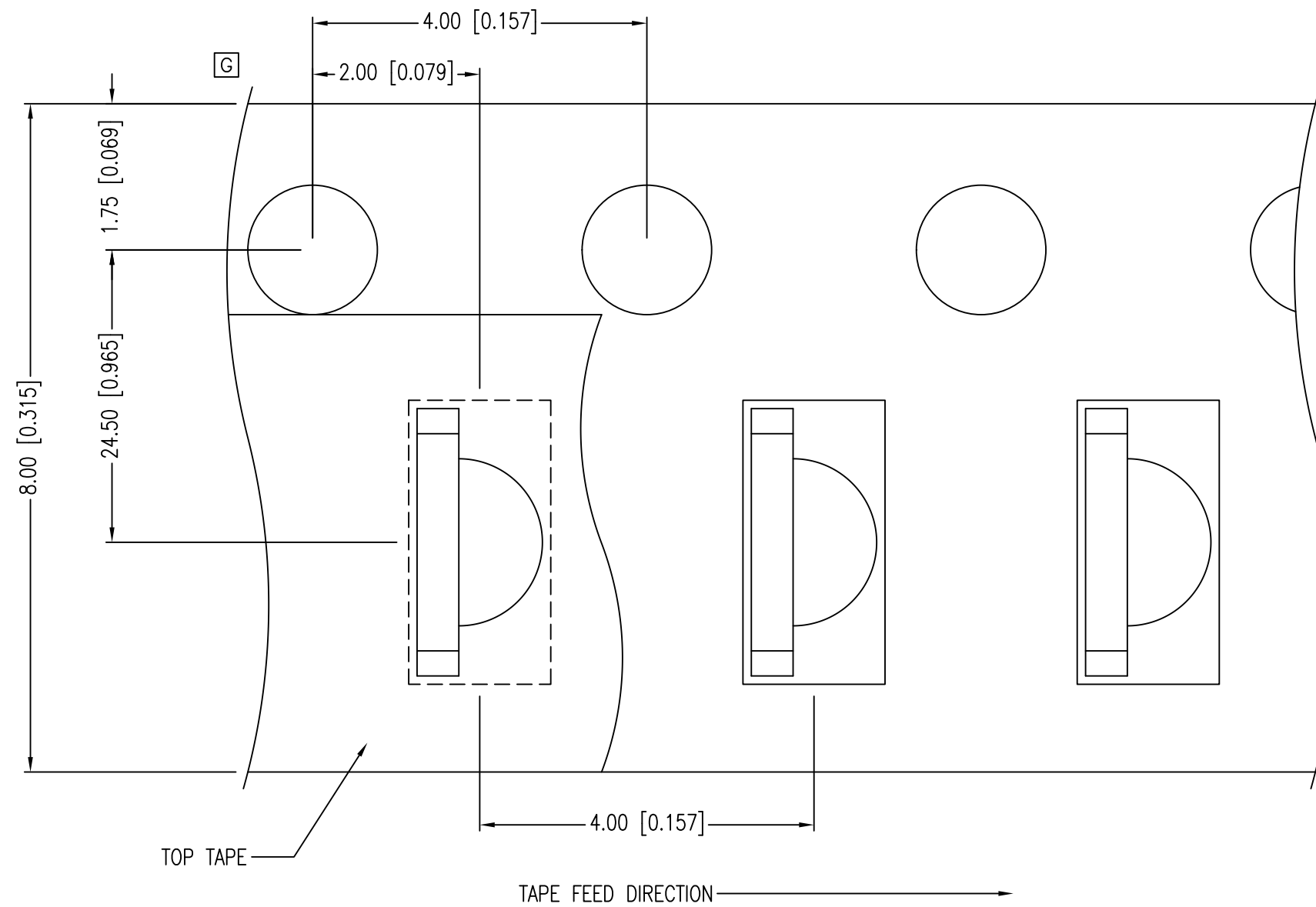
DATE:	12.06.19	DRAWN BY:	C.S.
PAGE:	1 OF 2	CHKD BY:	E.C.
SCALE:	NTS	APRVD BY:	G.Y.
UNIT:	mm [INCH]		(Rb)

PART NUMBER	SML-LXR85SRC-TR	REV.	M
DATE	E.C.N. NUMBER AND REVISION COMMENTS	REV.	
08.23.96	E.C.N. #10230.	A	
10.24.96	E.C.N. #10263	B	
05.02.97	E.C.N. #10338.	C	
07.22.97	E.C.N. #10366.	D	
09.19.97	E.C.N. #10380.	E	
10.15.97	E.C.N. #10BRDR. & REDRAWN.	F	
03.05.98	E.C.N. #10419.	G	
10.23.98	E.C.N. #10471.	H	
07.18.00	E.C.N. #10644.	I	
07.30.01	E.C.N. #10BRDR. & #10771.	J	
08.12.05	E.C.N. #11248.	K	
03.18.11	E.C.N. #10BRDR. & REDRAWN/ #11704.	L	
12.06.19	ECN-Lumex201900133	M	



NOTES:

- 3,000 PIECES PER REEL.
- THE CATHODE IS ORIENTED TOWARDS THE TAPE SPROCKET HOLE.



\*UNLESS OTHERWISE SPECIFIED TOLERANCES PER DECIMAL PRECISION ARE: X=±1 (±0.039), X.X=±0.5 (±0.020), X.XX=±0.25 (±0.010), X.XXX=±0.127 (±0.005). LEAD SIZE=±0.05 (±0.002), LEAD LENGTH=±0.75 (±0.030). MIN= +DECIMAL PRECISION -0.00 MAX.= +0.00 -DECIMAL PRECISION



425 N. GARY AVE.  
 CAROL STREAM, IL 60188  
 PHONE: 800-278-5666  
 FAX: 630-315-2150  
 WEB: WWW.LUMEX.COM

0.5mm x 3.2mm PCB, RIGHT ANGLE SURFACE MOUNT LED, 660nm RED, WATER CLEAR LENS, 3K PER REEL.

\*\*THE SPECIFICATIONS MAY CHANGE AT ANY TIME WITHOUT NOTICE.\*\*

CONFIDENTIAL INFORMATION

THE INFORMATION CONTAINED IN THIS DOCUMENT IS THE PROPERTY OF LUMEX INC. EXCEPT AS SPECIFICALLY AUTHORIZED IN WRITING BY LUMEX INC., THE HOLDER OF THIS DOCUMENT SHALL KEEP ALL INFORMATION CONTAINED HEREIN CONFIDENTIAL AND SHALL PROTECT SAME IN WHOLE OR IN PART FROM DISCLOSURE AND DISSEMINATION TO ALL THIRD PARTIES.

DATE:	12.06.19	DRAWN BY:	C.S.
PAGE:	2 OF 2	CHKD BY:	E.C.
SCALE:	NTS	APRVD BY:	G.Y.
UNIT:	mm [INCH]		(Rb)