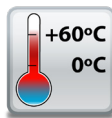


UK +44 (0)151 220 2500 // USA +1 855 958 2502 //
www.brainboxes.com // sales@brainboxes.com

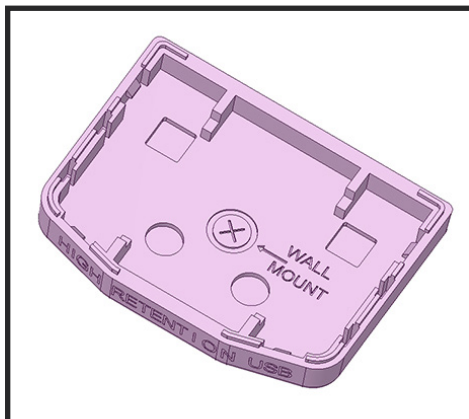
US-320

Ultra 1 Port RS422/485 USB to Serial Adapter

- 1 Port RS-422/485 USB to Serial Adapter
- Our smallest form factor USB to Serial
- 0°C to +60°C / -32°F to +140°F Operating Temperature
- High Retention USB connector with 0.5m USB cable
- Lifetime Warranty & Support



Industrial Specification
IP-50 rated
0°C to +60°C
-32°F to +140°F



Wall Mounting Option



Includes High Retention USB connector with 0.5m USB Type A to B cable



UK +44 (0)151 220 2500 // USA +1 855 958 2502 //
www.brainboxes.com // sales@brainboxes.com

US-320 Ultra 1 Port RS422/485 USB to Serial Adapter

Orange color-coded insulator to differentiate from standard USB connectors

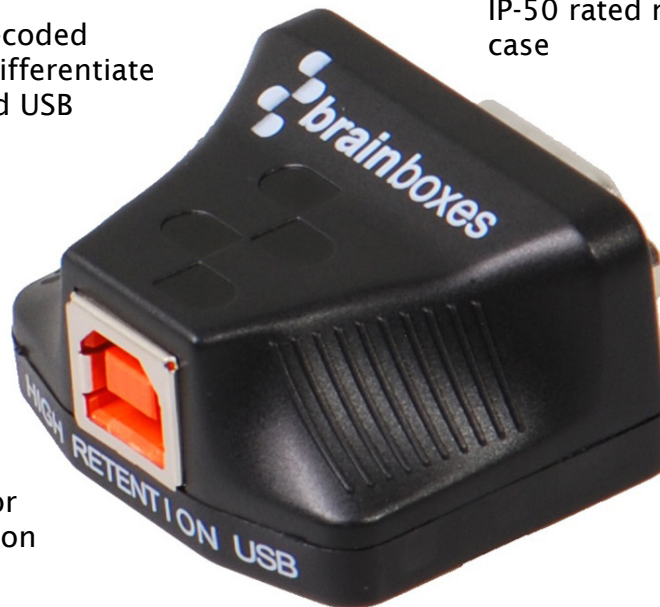
IP-50 rated non-conducting case

Plug and play with signed drivers

0°C to +60°C / -32°F to +140°F temperature range

USB connection requires a minimum withdrawal requirement of 15N

High retention USB connector for an unshakeable connection



Works across the full spectrum of baud rates up to 921,600 including standard and arbitrary values

Housing & Connectors

IP-50 rated non-conducting polyamide case
DB9 Connector - 9 Pin Male
High Retention USB Connector
Wall mounting screw recess

Power Consumption 80mA @ 5V
Power Supply Input +5V through USB cable (supplied)

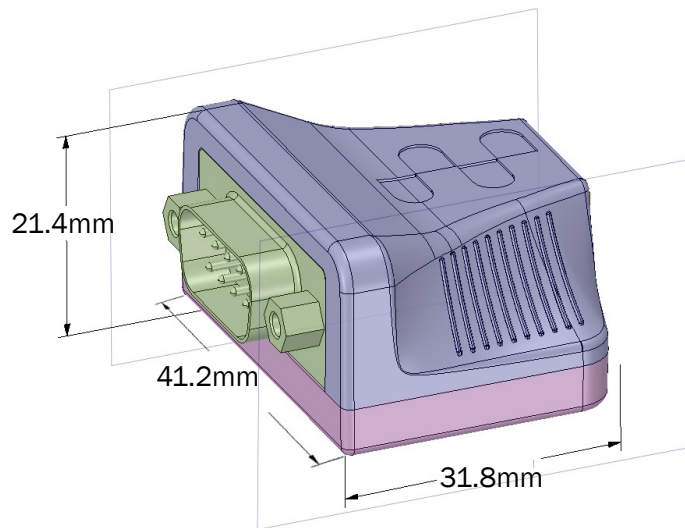
Environmental

Operating Temperature 0°C to +60°C / -32°F to +140°F
Storage Temperature 0°C to +60°C / -32°F to +140°F

Port Settings - RS232

Baud Rate 300 to 921,600 baud
Data Bits 7 or 8
Parity Odd, Even, None, Mark or Space
Stop Bits 1 or 2
Flow Control RTS/CTS, XON/XOFF
Tx/Rx Modes Full Duplex, Half Duplex Autogating, Hardware Autogating, Tx/D always/RTS true enabled, Rx/D always enabled, Rx/D RTStrue disabled, CTS forced true

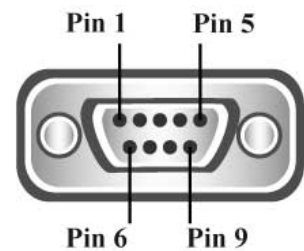
US-320 Ultra 1 Port RS422/485 USB to Serial Adapter



RS422/485

Pin 1	TXD-
Pin 2	TXD+
Pin 3	RTS-
Pin 4	RTS+
Pin 5	GND
Pin 6	RXD-
Pin 7	RXD+
Pin 8	CTS -
Pin 9	CTS+

RS422/485 Pinout (9 Pin)



Software

OS Compatibility

Brainboxes' software provides a Serial COM port interface. All software versions and updates available to download from our website.

Microsoft

Windows 8, Windows 8.1, Windows 10
Windows Server 2016
Windows Server 2019



Lifetime Warranty and Support:

We can help with every aspect of your project, from getting you up and running to custom application.

UK +44 (0)151 220 2500 // USA +1 855 958 2502 //
www.brainboxes.com // sales@brainboxes.com

US-320 Ultra 1 Port RS422/485 USB to Serial Adapter

Packaging Information	QSG, Device, 0.5m USB Type A to B cable (signed drivers are automatically downloaded by Windows OS)
Product Weight	0.024 kg, 0.85 ounces
Product Dims	41x38x22 mm, 1.6x1.5x0.9 inches
Packaged Weight	0.155 kg, 5.47 ounces
Packaged Dims	160x135x45 mm, 6.3x5.3x1.8 inches
GTIN Universal Code	837324003666
Industry Approvals	Microsoft Certified Gold Partner, WEEE, RoHS, AEO (C-TPAT), CE, UKCA, UL
HTS	8471800000
ECCN	4A994
CAGE	8QCY6
Warranty	Lifetime - online registration required
Support	Lifetime Web, Email & Phone Support from fully qualified, friendly staff who work in and alongside the Product Development Team
Standards	ISO9001, ISO14001
OEM option	Available for bulk buy OEM
Customisable	Brainboxes operate a 'Perfect Fit Custom Design' policy for volume users More info:sales@brainboxes.com

USB to Serial Range

USB to Serial adaptors available in a range of formats and specifications

www.brainboxes.com



US-101

USB 1 Port RS232 1MBaud



US-235

Ultra 1 Port RS232 USB to Serial Adapter



US-257

2 Port RS232 USB to Serial Adapter