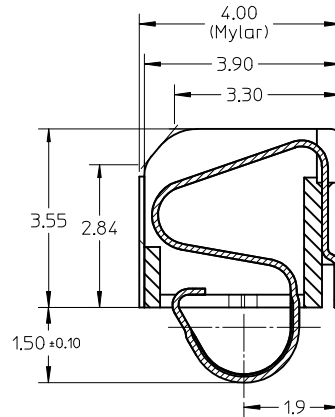
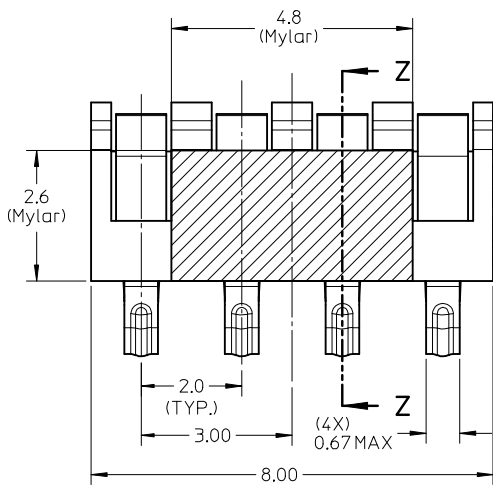
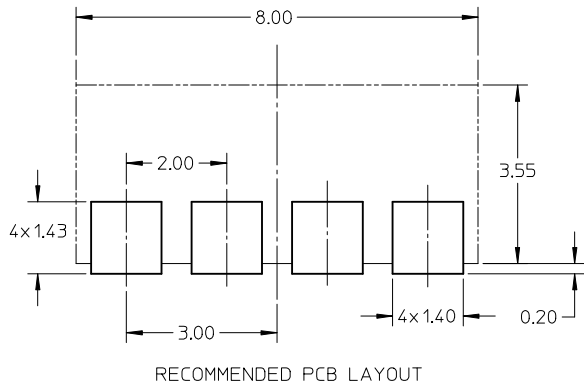
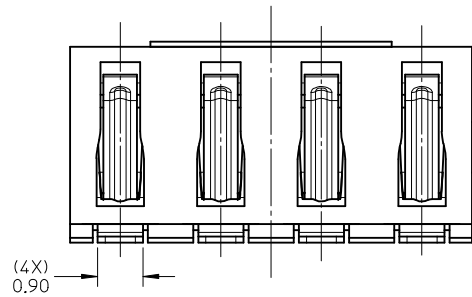
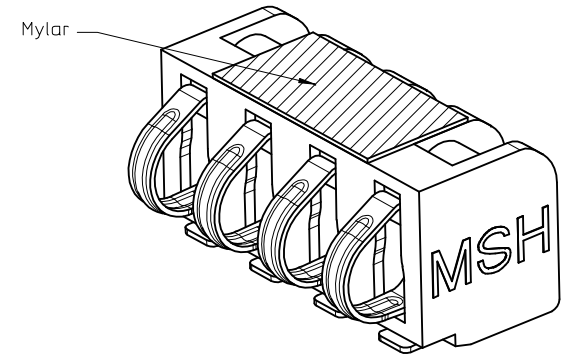


10 9 8 7 6 5 4 3 2 1



SECTION Z-Z



NOTE:

- MATERIAL:
HOUSING: LCP, 30% GLASS-FILLED, UL 94V-0, COLOR IS BLACK
TERMINAL: COPPER ALLOY, 0.12 MM BeCu
- FINISH:
CONTACT AREA: 30-50 MICRO INCHES GOLD PLATING OVER 50-140 MICRO INCHES NICKEL
SOLDER AREA: 3 MICRO MIN GOLD FLASH OVER 50-140 MICRO INCHES NICKEL
REST AREA: 50-140 MICRO INCHES NICKEL
- RECOMMENED WORKING RANGE 1.05 ~ 0.55 MM.
- COPLANARITY: 0.1 MAX AMONG THESE SOLDER TAILS.
- PRODUCT SPECIFICATION: PS-47531-001

475310011	4 PIN BATTERY CONNECTOR WITHOUT MYLAR		
475310001	4 PIN BATTERY CONNECTOR WITH MYLAR		
PART NUMBER		DESCRIPTION	
DIMENSION STYLE MM ONLY		SCALE 10:1	DESIGN UNITS METRIC
DRAWN BY YLZHU02		DATE 2007/01/30	TITLE ASSEMBLY DRAWING 4 PIN BATTERY CONNECTOR 2.0MM PITCH
CHECKED BY XIXU		DATE 2007/01/31	MOLEX INCORPORATED
APPROVED BY JNCHEN		DATE 2007/01/31	
MATERIAL NO.		DOCUMENT NO.	SHEET NO.
SEE TABLE		SD-47531-001	1 OF 1
THIS DRAWING CONTAINS INFORMATION THAT IS PROPRIETARY TO MOLEX INCORPORATED AND SHOULD NOT BE USED WITHOUT WRITTEN PERMISSION			

NEW PRODUCT EC NO: SH2007-0529 DRWN: YLZHU02 2007/02/06 CHKD: XUXIANG 2007/02/06 APPR: JNCHEN 2007/02/15	QUALITY SYMBOLS	GENERAL TOLERANCES (UNLESS SPECIFIED)	
	▽=0	mm	INCH
	∇=0	4 PLACES ± --- ± ---	3 PLACES ± --- ± ---
		2 PLACES ± 0.15 ± ---	1 PLACE ± 0.25 ± ---
		ANGULAR ± 5 °	
	DRAFT WHERE APPLICABLE MUST REMAIN WITHIN DIMENSIONS		

9 8 7 6 5 4 3 2 1