

## 28661.4 KDS-FP 3x10/24 BK



Cable entry flange plate with foamed-in frame gasket, Mounting type: Screw, Length: 165 mm, Width: 174 mm, IP66, Colour: Black

**RAL:** 9005

### Business data

Article number	28661.4
Article name	KDS-FP 3x10/24 BK
GTIN (EAN)	4044211220365
Packaging unit	1
Quantity unit	PC
Weight per piece (not including packaging)	153 g
Weight per piece (including packaging)	160 g
Unit of weight	G
Customs number	39259020
Country of origin	DE
Product description	Cable Entry
Colour	Black

### Technical data

#### Dimensions

Length	165 mm
Width	174 mm
Height	17.5 mm
Installation height	10.5 mm
Diameter of the screw holes	5.5 mm

#### Materials

Material	Polyamide 6.6
Glass-fibre reinforced	✓
Flammability class UL 94	V-0
Working temperature, min.	-40 °C
Working temperature, max.	120 °C
Sealing material	Polyurethane-based
Type of seal	Sealing and moulded flexible foam
Halogen-free	✓
Silicone-free	✓

#### Further technical data

Mounting type	Screws
Degree of protection	IP66
NEMA Type	1, 12, 4x (indoor use only)
Number of screw holes	8
Fixing screws	M 5 (ISO 4762 / DIN 912)
Torque of the fixing screws	3 Nm

#### Environmental Product Compliance

REACH Conform	yes
REACH Reference date	2022-06-10
REACH Candidate Substance Note	No
RoHS Conform	yes

## 28661.4 KDS-FP 3x10/24 BK

---

### Approvals

---

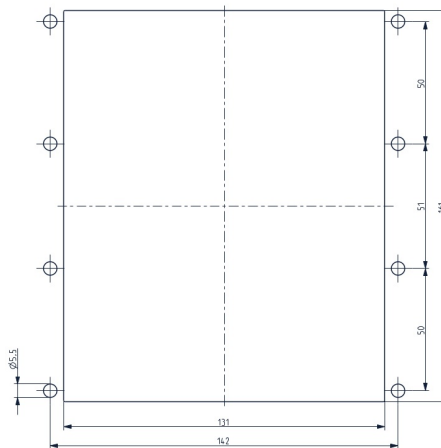
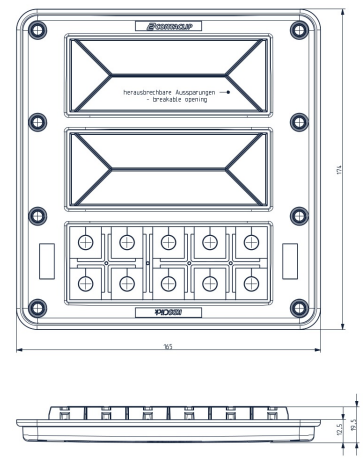
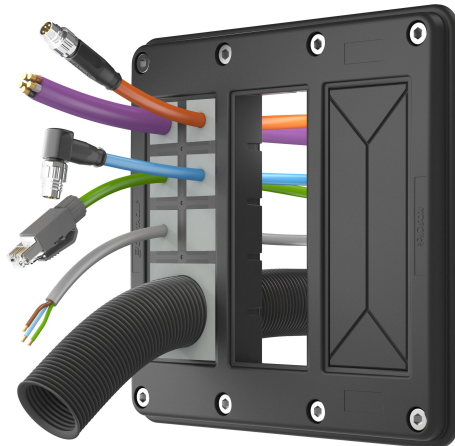
#### cUL Recognized

cUL approval	C22.2 No. 14-18
cUL File Number	E489821
cUL Recognized	1

#### UL Recognized

UL approval	UL 508A
UL File Number	E489821
UL Recognized	1
UL Type Rating	1, 12, 4x (indoor use only)

### Media



### Accessories

#### Inlays

Cable entry, Inlay, Mounting type: Plug in, IP 66, Colour: Black



Article number	Article name	GTIN (EAN)	Packaging unit
<a href="#">28516.4</a>	KDS-Inlay 1 BK	4044211210847	5 ST

Cable entry, Inlay, Mounting type: Plug in, IP 66, Colour: Black



Article number	Article name	GTIN (EAN)	Packaging unit
<a href="#">28517.4</a>	KDS-Inlay 2 BK	4044211210854	5 ST

Cable entry, Inlay, Mounting type: Plug in, IP 66, Colour: Black



Article number	Article name	GTIN (EAN)	Packaging unit
<a href="#">28518.4</a>	KDS-Inlay 4 BK	4044211210861	5 ST

Cable entry, Inlay, Mounting type: Plug in, IP 66, Colour: Black



Article number	Article name	GTIN (EAN)	Packaging unit
<a href="#">28519.4</a>	KDS-Inlay 6 BK	4044211210014	5 ST

#### Big Seals

Seal, Mounting type: Plug in, Length x width: 42.8 mm, Max. cable diameter: 20 mm, IP 66, Colour: Black



Article number	Article name	GTIN (EAN)	Packaging unit
<a href="#">28540.4</a>	KDS-DEG 19-20 BK	4044211215354	10 ST

Seal, Mounting type: Plug in, Length x width: 42.8 mm, Max. cable diameter: 33 mm, IP 66, Colour: Black



Article number	Article name	GTIN (EAN)	Packaging unit
<a href="#">28601.4</a>	KDS-DEG 32-33 BK	4044211215613	10 ST

## 28661.4 KDS-FP 3x10/24 BK

### Big Seals



Seal dummy, Mounting type: Plug in, Length x width: 42.8 mm, IP 66, Colour: Black

Article number	Article name	GTIN (EAN)	Packaging unit
<a href="#">28534.4</a>	KDS-DEG/B BK	4044211215255	10 ST



Seal, Mounting type: Plug in, Length x width: 42.8 mm, Max. cable diameter: 15 mm, IP 66, Colour: Black

Article number	Article name	GTIN (EAN)	Packaging unit
<a href="#">28535.4</a>	KDS-DEG 14-15 BK	4044211209995	10 ST



Seal, Mounting type: Plug in, Length x width: 42.8 mm, Max. cable diameter: 16 mm, IP 66, Colour: Black

Article number	Article name	GTIN (EAN)	Packaging unit
<a href="#">28536.4</a>	KDS-DEG 15-16 BK	4044211215279	10 ST



Seal, Mounting type: Plug in, Length x width: 42.8 mm, Max. cable diameter: 17 mm, IP 66, Colour: Black

Article number	Article name	GTIN (EAN)	Packaging unit
<a href="#">28537.4</a>	KDS-DEG 16-17 BK	4044211215293	10 ST



Seal, Mounting type: Plug in, Length x width: 42.8 mm, Max. cable diameter: 18 mm, IP 66, Colour: Black

Article number	Article name	GTIN (EAN)	Packaging unit
<a href="#">28538.4</a>	KDS-DEG 17-18 BK	4044211215316	10 ST



Seal, Mounting type: Plug in, Length x width: 42.8 mm, Max. cable diameter: 24 mm, IP 66, Colour: Black

Article number	Article name	GTIN (EAN)	Packaging unit
<a href="#">28544.4</a>	KDS-DEG 23-24 BK	4044211215439	10 ST



Seal, Mounting type: Plug in, Length x width: 42.8 mm, Max. cable diameter: 20 mm, IP 66, Colour: Grey

Article number	Article name	GTIN (EAN)	Packaging unit
<a href="#">28581.6</a>	KDS-DEG 19-20 GR	4044211215347	10 ST

## 28661.4 KDS-FP 3x10/24 BK

### Big Seals



Seal, Mounting type: Plug in, Length x width: 42.8 mm, Max. cable diameter: 21 mm, IP 66, Colour: Grey

Article number	Article name	GTIN (EAN)	Packaging unit
<u>28582.6</u>	KDS-DEG 20-21 GR	4044211215361	10 ST



Seal, Mounting type: Plug in, Length x width: 42.8 mm, Max. cable diameter: 22 mm, IP 66, Colour: Grey

Article number	Article name	GTIN (EAN)	Packaging unit
<u>28583.6</u>	KDS-DEG 21-22 GR	4044211215385	10 ST



Seal, Mounting type: Plug in, Length x width: 42.8 mm, Max. cable diameter: 23 mm, IP 66, Colour: Grey

Article number	Article name	GTIN (EAN)	Packaging unit
<u>28584.6</u>	KDS-DEG 22-23 GR	4044211215408	10 ST



Seal, Mounting type: Plug in, Length x width: 42.8 mm, Max. cable diameter: 25 mm, IP 66, Colour: Black

Article number	Article name	GTIN (EAN)	Packaging unit
<u>28545.4</u>	KDS-DEG 24-25 BK	4044211215453	10 ST



Seal, Mounting type: Plug in, Length x width: 42.8 mm, Max. cable diameter: 26 mm, IP 66, Colour: Black

Article number	Article name	GTIN (EAN)	Packaging unit
<u>28546.4</u>	KDS-DEG 25-26 BK	4044211215460	10 ST



Seal, Mounting type: Plug in, Length x width: 42.8 mm, Max. cable diameter: 27 mm, IP 66, Colour: Black

Article number	Article name	GTIN (EAN)	Packaging unit
<u>28547.4</u>	KDS-DEG 26-27 BK	4044211215491	10 ST



Seal, Mounting type: Plug in, Length x width: 42.8 mm, Max. cable diameter: 28 mm, IP 66, Colour: Black

Article number	Article name	GTIN (EAN)	Packaging unit
<u>28548.4</u>	KDS-DEG 27-28 BK	4044211215514	10 ST



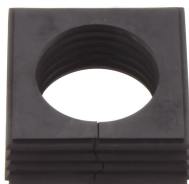
## 28661.4 KDS-FP 3x10/24 BK

### Big Seals



Seal, Mounting type: Plug in, Length x width: 42.8 mm, Max. cable diameter: 29 mm, IP 66, Colour: Black

Article number	Article name	GTIN (EAN)	Packaging unit
<u>28549.4</u>	KDS-DEG 28-29 BK	4044211215538	10 ST



Seal, Mounting type: Plug in, Length x width: 42.8 mm, Max. cable diameter: 30 mm, IP 66, Colour: Black

Article number	Article name	GTIN (EAN)	Packaging unit
<u>28550.4</u>	KDS-DEG 29-30 BK	4044211215552	10 ST



Seal, Mounting type: Plug in, Length x width: 42.8 mm, Max. cable diameter: 31 mm, IP 66, Colour: Black

Article number	Article name	GTIN (EAN)	Packaging unit
<u>28551.4</u>	KDS-DEG 30-31 BK	4044211215576	10 ST



Seal, Mounting type: Plug in, Length x width: 42.8 mm, Max. cable diameter: 32 mm, IP 66, Colour: Black

Article number	Article name	GTIN (EAN)	Packaging unit
<u>28552.4</u>	KDS-DEG 31-32 BK	4044211215590	10 ST



Seal, Mounting type: Plug in, Length x width: 42.8 mm, Max. cable diameter: 18 mm, IP 66, Colour: Grey

Article number	Article name	GTIN (EAN)	Packaging unit
<u>28579.6</u>	KDS-DEG 17-18 GR	4044211215309	10 ST



Seal, Mounting type: Plug in, Length x width: 42.8 mm, Max. cable diameter: 19 mm, IP 66, Colour: Grey

Article number	Article name	GTIN (EAN)	Packaging unit
<u>28580.6</u>	KDS-DEG 18-19 GR	4044211215323	10 ST



Seal dummy, Mounting type: Plug in, Length x width: 42.8 mm, IP 66, Colour: Grey

Article number	Article name	GTIN (EAN)	Packaging unit
<u>28575.6</u>	KDS-DEG/B GR	4044211215248	10 ST



## 28661.4 KDS-FP 3x10/24 BK

### Big Seals



Seal, Mounting type: Plug in, Length x width: 42.8 mm, Max. cable diameter: 15 mm, IP 66, Colour: Grey

Article number	Article name	GTIN (EAN)	Packaging unit
<a href="#">28576.6</a>	KDS-DEG 14-15 GR	4044211209971	10 ST



Seal, Mounting type: Plug in, Length x width: 42.8 mm, Max. cable diameter: 16 mm, IP 66, Colour: Grey

Article number	Article name	GTIN (EAN)	Packaging unit
<a href="#">28577.6</a>	KDS-DEG 15-16 GR	4044211215262	10 ST



Seal, Mounting type: Plug in, Length x width: 42.8 mm, Max. cable diameter: 17 mm, IP 66, Colour: Grey

Article number	Article name	GTIN (EAN)	Packaging unit
<a href="#">28578.6</a>	KDS-DEG 16-17 GR	4044211215286	10 ST



Seal, Mounting type: Plug in, Length x width: 42.8 mm, Max. cable diameter: 32 mm, IP 66, Colour: Grey

Article number	Article name	GTIN (EAN)	Packaging unit
<a href="#">28593.6</a>	KDS-DEG 31-32 GR	4044211215583	10 ST



Seal, Mounting type: Plug in, Length x width: 42.8 mm, Max. cable diameter: 33 mm, IP 66, Colour: Grey

Article number	Article name	GTIN (EAN)	Packaging unit
<a href="#">28594.6</a>	KDS-DEG 32-33 GR	4044211215606	10 ST



Seal, Mounting type: Plug in, Length x width: 42.8 mm, Max. cable diameter: 34 mm, IP 66, Colour: Black

Article number	Article name	GTIN (EAN)	Packaging unit
<a href="#">28730.4</a>	KDS-DEG 33-34 BK	4044211220969	10 ST



Seal, Mounting type: Plug in, Length x width: 42.8 mm, Max. cable diameter: 34 mm, IP 66, Colour: Grey

Article number	Article name	GTIN (EAN)	Packaging unit
<a href="#">28731.6</a>	KDS-DEG 33-34 GR	4044211220976	10 ST

## 28661.4 KDS-FP 3x10/24 BK

### Big Seals



Seal, Mounting type: Plug in, Length x width: 42.8 mm, Max. cable diameter: 35 mm, IP 66, Colour: Black

Article number	Article name	GTIN (EAN)	Packaging unit
<u>28732.4</u>	KDS-DEG 34-35 BK	4044211220983	10 ST



Seal, Mounting type: Plug in, Length x width: 42.8 mm, Max. cable diameter: 35 mm, IP 66, Colour: Grey

Article number	Article name	GTIN (EAN)	Packaging unit
<u>28733.6</u>	KDS-DEG 34-35 GR	4044211220990	10 ST



Seal, Mounting type: Plug in, Length x width: 42.8 mm, Max. cable diameter: 23 mm, IP 66, Colour: Black

Article number	Article name	GTIN (EAN)	Packaging unit
<u>28543.4</u>	KDS-DEG 22-23 BK	4044211215415	10 ST



Seal, Mounting type: Plug in, Length x width: 42.8 mm, Max. cable diameter: 24 mm, IP 66, Colour: Black

Article number	Article name	GTIN (EAN)	Packaging unit
<u>28554.4</u>	KDS-DEG/K 7-24 BK	4044211216108	10 ST



Seal, Mounting type: Plug in, Length x width: 42.8 mm, Max. cable diameter: 24 mm, IP 66, Colour: Grey

Article number	Article name	GTIN (EAN)	Packaging unit
<u>28585.6</u>	KDS-DEG 23-24 GR	4044211215422	10 ST



Seal, Mounting type: Plug in, Length x width: 42.8 mm, Max. cable diameter: 25 mm, IP 66, Colour: Grey

Article number	Article name	GTIN (EAN)	Packaging unit
<u>28586.6</u>	KDS-DEG 24-25 GR	4044211215446	10 ST



Seal, Mounting type: Plug in, Length x width: 42.8 mm, Max. cable diameter: 26 mm, IP 66, Colour: Grey

Article number	Article name	GTIN (EAN)	Packaging unit
<u>28587.6</u>	KDS-DEG 25-26 GR	4044211215477	10 ST

## 28661.4 KDS-FP 3x10/24 BK

### Big Seals



Seal, Mounting type: Plug in, Length x width: 42.8 mm, Max. cable diameter: 27 mm, IP 66, Colour: Grey

Article number	Article name	GTIN (EAN)	Packaging unit
<u>28588.6</u>	KDS-DEG 26-27 GR	4044211215484	10 ST



Seal, Mounting type: Plug in, Length x width: 42.8 mm, Max. cable diameter: 28 mm, IP 66, Colour: Grey

Article number	Article name	GTIN (EAN)	Packaging unit
<u>28589.6</u>	KDS-DEG 27-28 GR	4044211215507	10 ST



Seal, Mounting type: Plug in, Length x width: 42.8 mm, Max. cable diameter: 29 mm, IP 66, Colour: Grey

Article number	Article name	GTIN (EAN)	Packaging unit
<u>28590.6</u>	KDS-DEG 28-29 GR	4044211215521	10 ST



Seal, Mounting type: Plug in, Length x width: 42.8 mm, Max. cable diameter: 30 mm, IP 66, Colour: Grey

Article number	Article name	GTIN (EAN)	Packaging unit
<u>28591.6</u>	KDS-DEG 29-30 GR	4044211215545	10 ST



Seal, Mounting type: Plug in, Length x width: 42.8 mm, Max. cable diameter: 31 mm, IP 66, Colour: Grey

Article number	Article name	GTIN (EAN)	Packaging unit
<u>28592.6</u>	KDS-DEG 30-31 GR	4044211215569	10 ST



Seal, Mounting type: Plug in, Length x width: 42.8 mm, Max. cable diameter: 19 mm, IP 66, Colour: Black

Article number	Article name	GTIN (EAN)	Packaging unit
<u>28539.4</u>	KDS-DEG 18-19 BK	4044211215330	10 ST



Seal, Mounting type: Plug in, Length x width: 42.8 mm, Max. cable diameter: 21 mm, IP 66, Colour: Black

Article number	Article name	GTIN (EAN)	Packaging unit
<u>28541.4</u>	KDS-DEG 20-21 BK	4044211215378	10 ST

## 28661.4 KDS-FP 3x10/24 BK

### Big Seals



Seal, Mounting type: Plug in, Length x width: 42.8 mm, Max. cable diameter: 22 mm, IP 66, Colour: Black

Article number	Article name	GTIN (EAN)	Packaging unit
<u>28542.4</u>	KDS-DEG 21-22 BK	4044211215392	10 ST

### Actuating tool



Using the KDS BW1 actuating tool, the seals can be conveniently mounted in and dismantled from the frame. The ergonomic grip and the special shape enable simple and precise installations, especially for cabling applications in confined spaces., Material: Polyamide

Article number	Article name	GTIN (EAN)	Packaging unit
<u>28622.0</u>	KDS BW 1	4044211216597	1 ST

### Locking mechanism



Inner lock, Mounting type: Plug in

Article number	Article name	GTIN (EAN)	Packaging unit
<u>28664.3</u>	KDS-FP-IVR OG	4044211220402	20 ST

### EMC brackets



Shield-connection rail enabling mounting of shield connection clips directly on cable entry system KDS-FP, Mounting type: Screw, Length: 35,3 mm, Width: 152 mm, Height: 16 mm, Profile: 10x3 mm

Article number	Article name	GTIN (EAN)	Packaging unit
<u>28627.0</u>	KDS-FP-EMV-SAB 10/24	4044211226657	1 ST