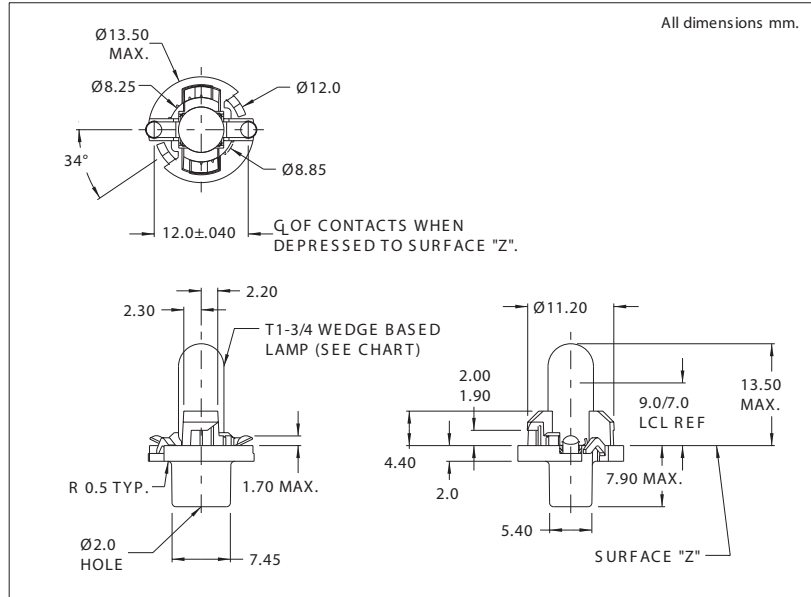




5565 Series Relampable Socket

DESCRIPTION AND FEATURES



Mounting: Printed circuit board, twist-in

Mounting pattern on page SP2.

Contacts: C68800 copper alloy

Housing: Nylon

Lamp: T-1 3/4

LAMP VERSION		
SOCKET COLOR	LAMP TRADE NO.	CML PART NO.
BLACK	37	55650703
GREY	37	55650303
GREY	73	55650403
BLUE	73	55651003
GREY	74	55650503
GREEN	74	55651103
BLACK	74	55650803
GREY	86	55650603
BLACK	103	55650903
RED	103	55651203
NO LAMP VERSION		
BLACK	-	55650702
BLUE	-	55651002
GREY	-	55650202
GREEN	-	55651102
RED	-	55651202