



## Industrial Wireless Access Point

- Designed for 802.11 b/g/n networks
- Web server/Utility configuration
- Upgrade via Device View or Web server
- Client isolation
- Different operating modes and topology options (WDS Bridge and AP Client)
- FCC (United States), ETSI (Europe) certified wireless equipment
- Support WPS(Wi-Fi protected setup)
- Support Wi-Fi Direct (Peer-to-Peer)

## PRODUCT DESCRIPTION

Suitable in a wide array of applications, the new AW5500C is able to withstand harsh conditions typically found in the industry. AW5500C is also designed thinking on your security, state of the art encryption as well as having the ability to create a virtual network among wireless clients; this level of communication between clients can be easily and intuitively controlled using this option, imposing restrictions on data and excluding malware at the same time.

AW5500C embodies a strong wireless network manager that will surely deliver optimum performance in your network.

AW5500C supports "WPS & Wi-Fi Direct" technology that makes Wi-Fi usage to be an ease-of-use connectivity, and delivers an industry-wide peer-to-peer solution based on broadly deployed Wi-Fi technologies.

## Industrial Wireless Access Point

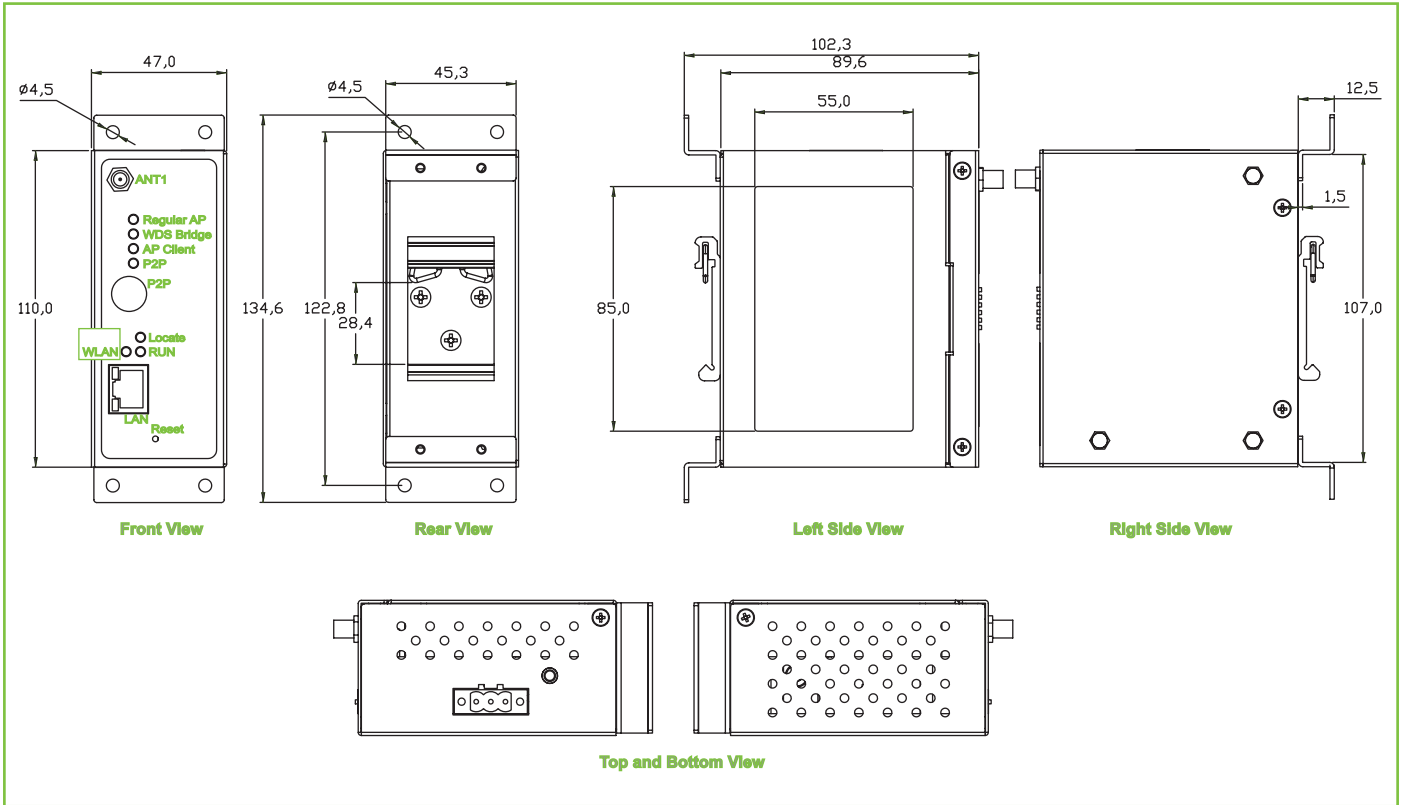
Technical Specifications	
Model Name	AW5500C
Network Interface	
Connector	RJ-45
Speed	IEEE802.3u, 100 Base-T(X)
Power Characteristics	
Input Voltage	9VDC - 48VDC
Input Current(9VDC)	0.65A
Power Consumption	Approx. 5.85W (max)
Reverse Polarity Protection	Yes
Connector	5.08mm 3-pin Lockable Terminal Block
Mechanicals	
Protection Rating	IP30
Dimensions(W X H x D)	47 X 110 X 90 mm
Weight	500g
Installation	DIN-Rail, wall mount (optional kit)
Reset Button	Yes
WPS / Wi-Fi Direct Button	Yes
Environmental Limits	
Operating Temperature	-10°C ~ 60°C (14°F ~ 140°F)
Storage Temperature	-40°C ~ 85°C (-40°F ~ 185°F)
Ambient Relative Humidity	5 ~ 95% RH, (non-condensing)
Software Features	
Operation Modes	AP, WDS Bridge, AP Client
Wireless Security	WEP, WPA, WPA2, TKIP, AES, 802.1x
Network Security	Client Isolation, Firewall / Filtering, Turn off Radio
Alerts Event	E-mail / SNMP Trap
Supported Protocols	ICMP, TCP, UDP, DHCP Server/Client, DNS, SNMP, NTP, SMTP, HTTP, IPv4, 802.1x, RADIUS, STP, WPS, Syslog
Warranty	
	5 years
Regulatory Requirements	
EMC	EN55032, EN55024, EN 301489-1 V2.2.0; EN301489-17 V3.2.0; FCC 15B (Class A), CNS 13438
Radio	FCC 15C 15.247, FCC 15E 15.407, EN 301893 V2.1.1, EN 300328 V2.1.1, NCC LP00002
EMF	EN 62311: 2008, EN 50385: 2002

Test	Description		Test Levels	Levels
IEC 61000-4-2	ESD	Contact Discharge	±8KV	4
		Air Discharge	±15KV	4
IEC 61000-4-3	RS	Radiated (Enclosure)	10 (V/m)	3
IEC 61000-4-4	EFT	AC Power Port	±2.0 KV	3
		LAN Port	±2.0 KV	4
IEC 61000-4-5	Surge	AC Power Port	Line-to Line±1.0KV	3
		AC Power Port	Line-to Earth±2.0KV	3
		LAN Port	Line-to Earth±2.0KV	3
IEC 61000-4-6	CS	Conducted (Enclosure)	10 V rms	3
IEC 61000-4-8	PFMF	(Enclosure)	AC 50/60 Hz 10 A/m	2
Safety	UL60950-1/CB, EN60950-1, IEC/EN 62368-1, CNS 14336-1			
Shock	IEC 60068-2-27			
Freefall	IEC 60068-2-32			
Vibration	IEC 60068-2-64			
MTBF	15 years (MIL-HDBK-217F)			
RoHS	Yes			
<b>Wireless Characteristics</b>				
Wireless PCI-e Module	Atheros AR9382			
Tx / Rx	2T2R MIMO (2x2 with MCS 0-15)			
Standard Conformance	802.11a, 802.11b, 802.11g, and 802.11n			
<b>Operating Frequency</b>				
	2.4Ghz			
United States (FCC)	2412-2462(20Mhz)/2422-2452(40Mhz)			
Europe (ETSI)	2412-2472(20Mhz)/2422-2462(40Mhz)			
<b>Data Rate</b>				
802.11b	1, 2, 5.5 and 11Mbps			
802.11g	6, 9, 12, 18, 24, 36, 48, 54Mbps			
802.11n	20MHz bandwidth: 1Nss: 65Mbps @ 800GI, 72.2Mbps @ 400GI (Max.) 40MHz bandwidth: 1Nss: 135Mbps @ 800GI, 150 Mbps @ 400GI (Max.)			
<b>Antenna (2.4GHz)</b>				
Gain	3 dBi			
Connector	SMA(R) Female			
<b>Output Power</b>				
802.11b	+14dBm			
802.11g	+17dBm @ 6, 9, 12,18,24Mbps / +17dBm @ 36Mbps / +16dBm @ 48Mbps / +16dBm @ 54Mbps			
802.11n 2.4GHz/HT20	+16dBm @ MCS 0 +16dBm @ MCS 4 +16dBm @ MCS 1 +16dBm @ MCS 5 +16dBm @ MCS 2 +16dBm @ MCS 6 +16dBm @ MCS 3 +15dBm @ MCS 7			
802.11n 2.4GHz/HT40	+15dBm @ MCS 0 +15dBm @ MCS 4 +15dBm @ MCS 1 +15dBm @ MCS 5 +15dBm @ MCS 2 +15dBm @ MCS 6 +15dBm @ MCS 3 +14dBm @ MCS 7			

## Receiver Sensitivity

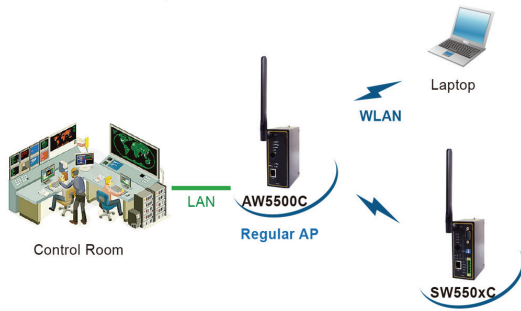
	Data Rate	IEEE Spec (1 Rx dBm)		Data Rate	IEEE Spec (1 Rx dBm)	
802.11b	1M	not specified	802.11a/n HT40	MCS0	-79	
	5.5M	not specified		MCS1	-76	
	11M	not specified		MCS2	-74	
802.11g	6M	-82		MCS3	-71	
	9M	-81		MCS4	-67	
	12M	-79		MCS5	-63	
	18M	-77		MCS6	-62	
	24M	-74		MCS7	-61	
	36M	-70		802.11b/g/n HT20	MCS0	-82
	48M	-66			MCS1	-79
54M	-65	MCS2	-77			
802.11n HT20	MCS0	-82	MCS3		-74	
	MCS1	-79	MCS4		-70	
	MCS2	-77	MCS5		-66	
	MCS3	-74	MCS6		-65	
	MCS4	-70	MCS7	-64		
	MCS5	-66	802.11b/g/n HT40	MCS0	-79	
	MCS6	-65		MCS1	-76	
	MCS7	-64		MCS2	-74	
				MCS3	-71	
				MCS4	-67	
				MCS5	-63	
				MCS6	-62	
			MCS7	-61		

## DIMENSIONS & LAYOUT

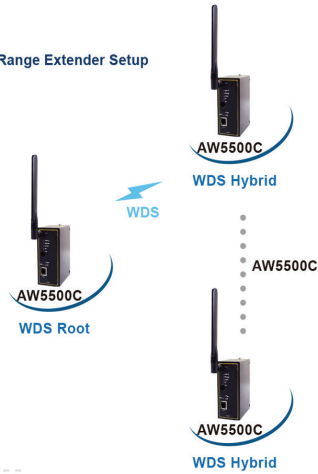


# Application

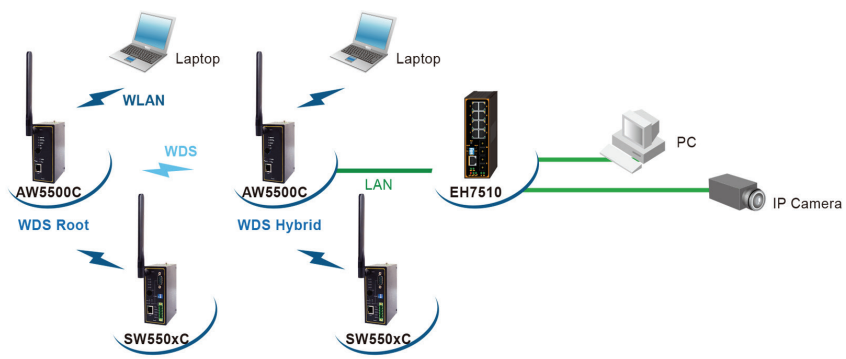
Basic Access Point Setup



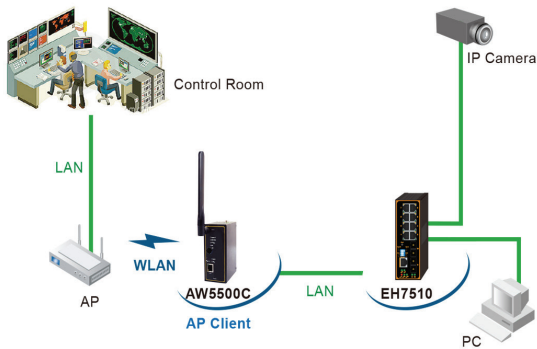
Coverage Range Extender Setup



Basic WDS Setup



AP Client Setup



WPS / Wi-Fi Direct Mode

