

# BTM7710GP

TrilithIC

Automotive Power



Never stop thinking

## Table of Contents

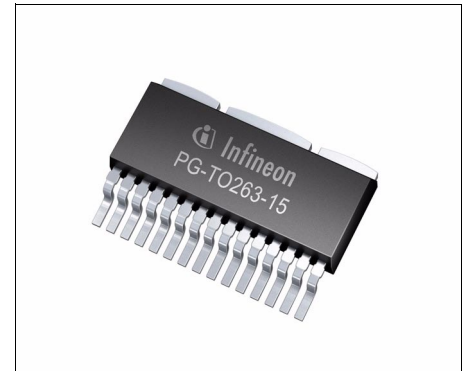
	<b>Table of Contents</b> .....	2
<b>1</b>	<b>Overview</b> .....	3
<b>2</b>	<b>Pin Configuration</b> .....	4
2.1	Pin Assignment .....	4
2.2	Terms .....	6
<b>3</b>	<b>Block Diagram</b> .....	7
<b>4</b>	<b>Circuit Description</b> .....	8
4.1	Input Circuit .....	8
4.2	Output Stages .....	8
4.3	Short Circuit Protection .....	8
4.4	Overtemperature Protection .....	8
4.5	Undervoltage Lockout .....	8
4.6	Status Flag .....	8
<b>5</b>	<b>Electrical Characteristics</b> .....	10
5.1	Absolute Maximum Ratings .....	10
5.2	Functional Range .....	11
5.3	Thermal Resistance .....	11
5.4	Electrical Characteristics .....	11
<b>6</b>	<b>Application Information</b> .....	15
<b>7</b>	<b>Package Outlines</b> .....	16
<b>8</b>	<b>Revision History</b> .....	17



## 1 Overview

### Features

- Quad D-MOS switch driver
- Free configurable as bridge or quad-switch
- Optimized for DC motor management applications
- Low  $R_{DS\ ON}$   
High side: 70 m $\Omega$  typ. @ 25°C, 165 m $\Omega$  max. @ 110°C  
Low side: 40 m $\Omega$  typ. @ 25°C, 75 m $\Omega$  max. @ 110°C
- Peak current: typ. 15 A @ 25 °C
- Very low quiescent current: typ. 5  $\mu$ A @ 25 °C
- Thermally optimized power package
- Operates up to 40 V
- Load and GND-short-circuit-protection
- Overtemperature shut down with hysteresis
- Undervoltage detection with hysteresis
- Status flag diagnosis
- Internal clamp diodes
- Isolated sources for external current sensing
- Green Product (RoHS compliant)
- AEC Qualified



PG-TO263-15-1

### Description

The **BTM7710GP** is part of the **TrilithIC** family containing three dies in one package: One double high-side switch and two low-side switches. The drains of these three vertical DMOS chips are mounted on separated lead frames. The sources are connected to individual pins, so the **BTM7710GP** can be used in H-bridge- as well as in any other configuration. The double high-side switch is manufactured in SMART SIPMOS® technology which combines low  $R_{DS\ ON}$  vertical DMOS power stages with CMOS circuitry for control, protection and diagnosis. To achieve low  $R_{DS\ ON}$  and fast switching performance, the low-side switches are manufactured in S-FET logic level technology.

Type	Package	Marking
BTM7710GP	PG-TO263-15-1	BTM7710GP

## 2 Pin Configuration

### 2.1 Pin Assignment

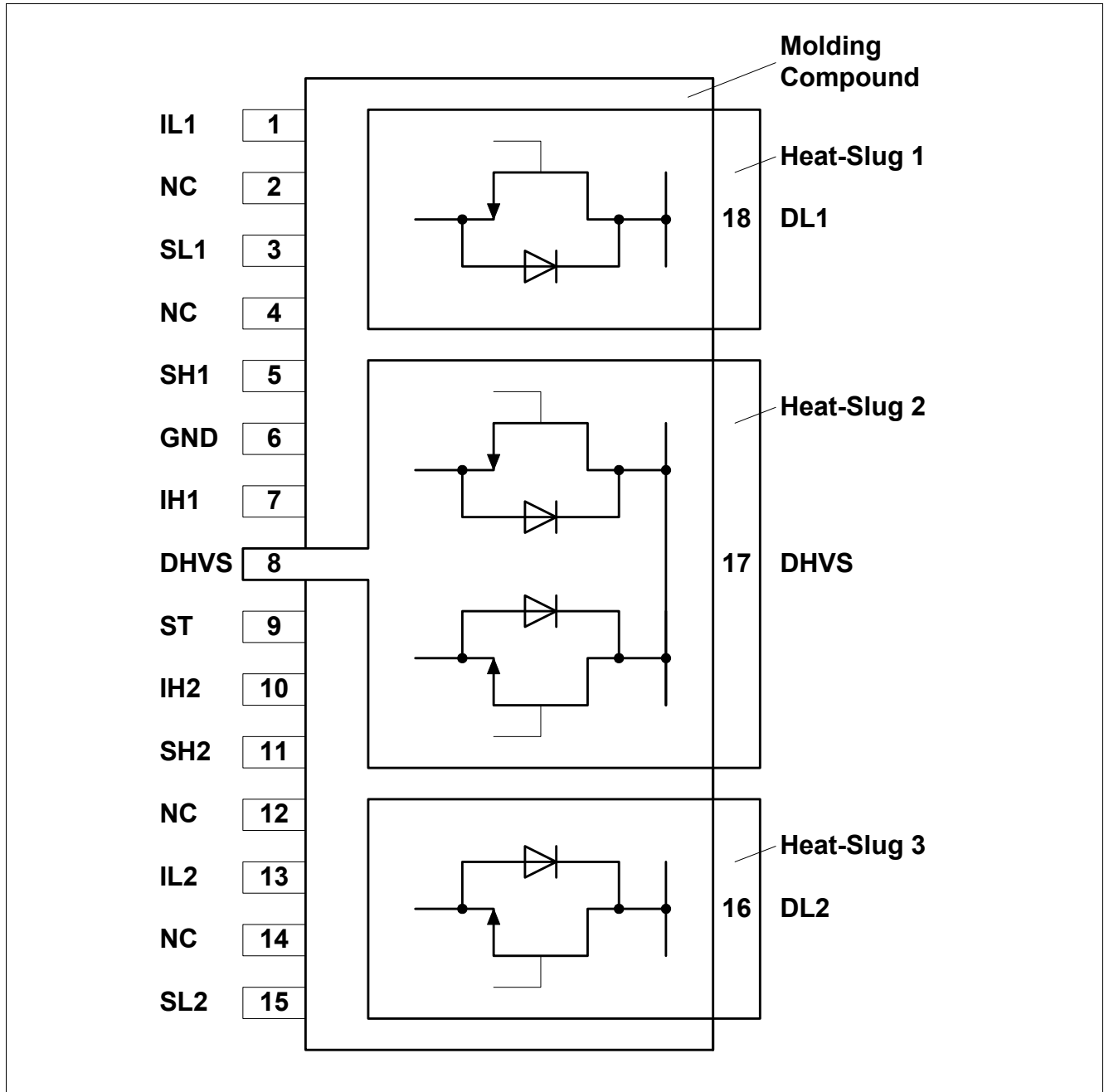


Figure 1 Pin Assignment BTM7710GP (Top View)

**Table 1 Pin Definitions and Functions**

Pin No.	Symbol	Function
1	IL1	Analog input of low-side switch 1
2	NC	Not connected
<b>3</b>	<b>SL1</b>	<b>Source of low-side switch 1</b>
4	NC	Not connected
<b>5</b>	<b>SH1</b>	<b>Source of high-side switch 1</b>
6	GND	Ground of high-side switches
7	IH1	Digital input of high-side switch 1
<b>8</b>	<b>DHVS</b>	<b>Drain of high-side switches and power supply voltage</b>
9	ST	Status; open Drain output
10	IH2	Digital input of high-side switch 2
<b>11</b>	<b>SH2</b>	<b>Source of high-side switch 2</b>
12	NC	Not connected
13	IL2	Analog input of low-side switch 2
14	NC	Not connected
<b>15</b>	<b>SL2</b>	<b>Source of low-side switch 2</b>
<b>16</b>	<b>DL2</b>	<b>Drain of low-side switch 2 Heat-Slug 3 or Heat-Dissipator</b>
<b>17</b>	<b>DHVS</b>	<b>Drain of high-side switches and power supply voltage Heat-Slug 2 or Heat-Dissipator</b>
<b>18</b>	<b>DL1</b>	<b>Drain of low-side switch 1 Heat-Slug 1 or Heat-Dissipator</b>

Pins written in **bold type** need power wiring.

2.2 Terms

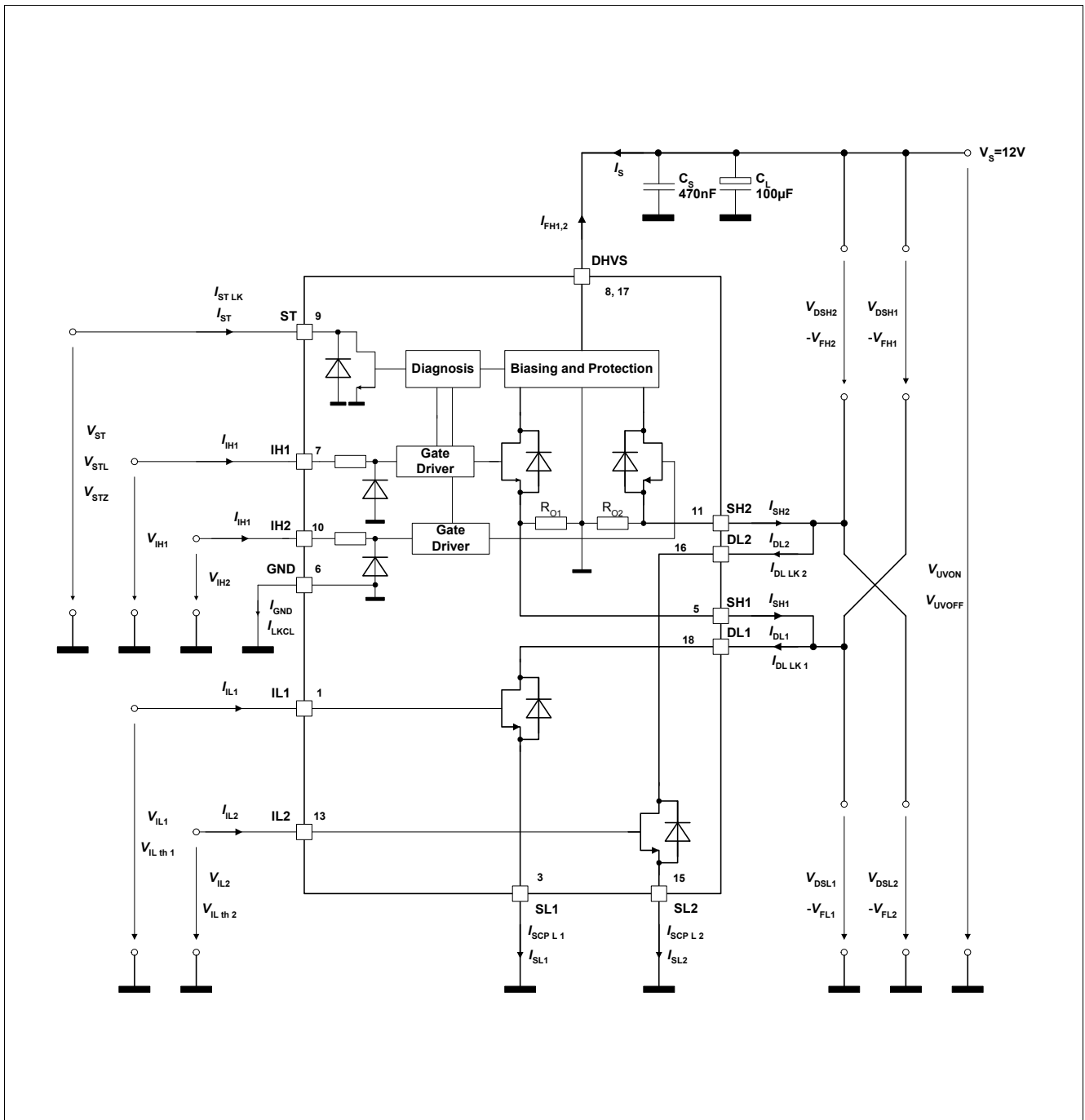


Figure 2 Terms BTM7710GP

Table 2

HS-Source-Current	Named during Short Circuit	Named during Leakage-Cond.
$I_{SH1,2}$	$I_{SCP H}$	$I_{DL LK}$

### 3 Block Diagram

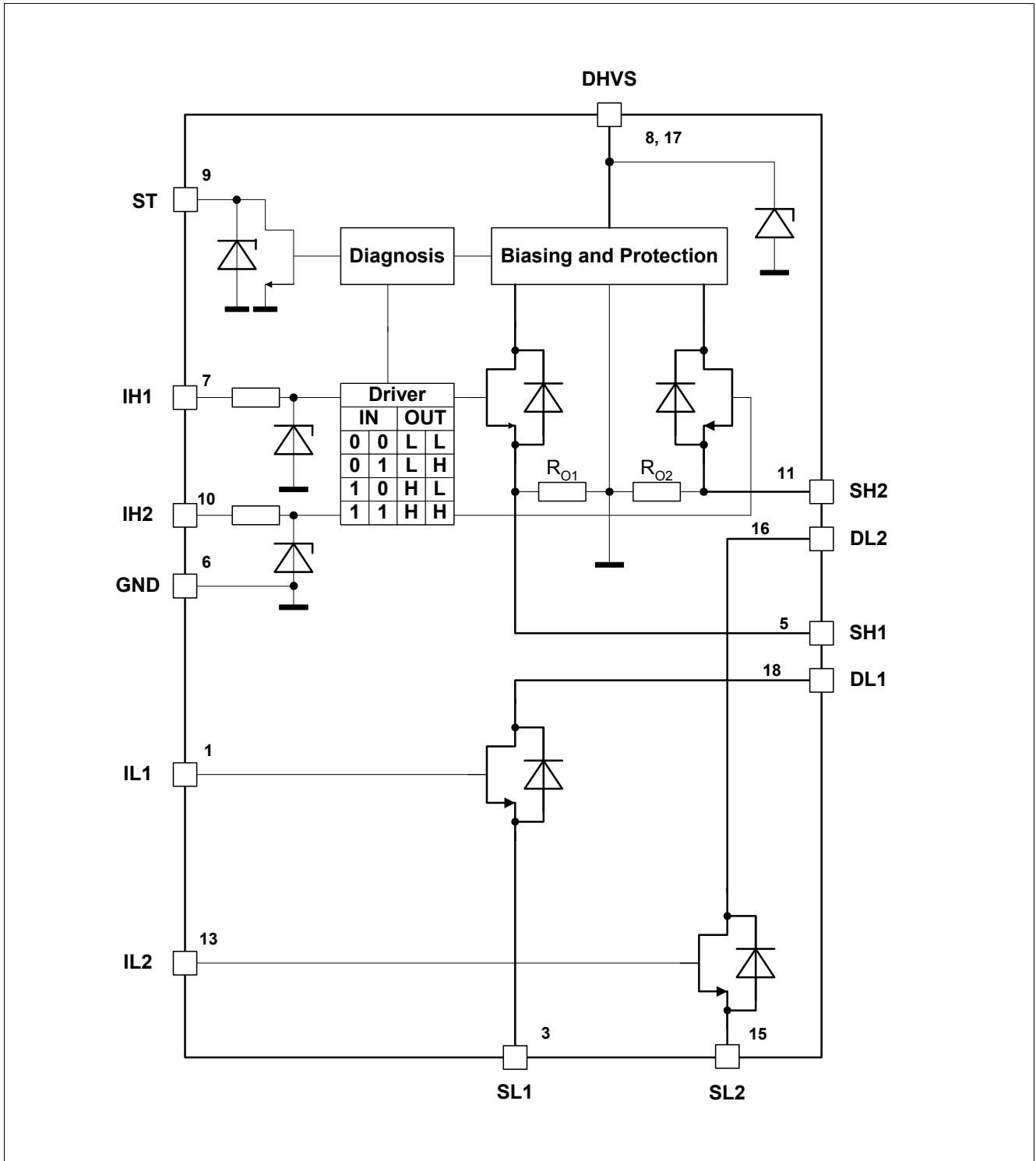


Figure 3 Block Diagram BTM7710GP

## 4 Circuit Description

### 4.1 Input Circuit

The control inputs IH1,2 consist of TTL/CMOS compatible Schmitt-Triggers with hysteresis. Buffer amplifiers are driven by these stages and convert the logic signal into the necessary form for driving the power output stages. The inputs are protected by ESD clamp-diodes. The inputs IL1 and IL2 are connected to the gates of the standard N-channel vertical power-MOS-FETs.

### 4.2 Output Stages

The output stages consist of an low  $R_{\text{DS(ON)}}$  Power-MOS H-bridge. In H-bridge configuration, the D-MOS body diodes can be used for freewheeling when communicating inductive loads. If the high-side switches are used as single switches, positive and negative voltage spikes which occur when driving inductive loads are limited by integrated power clamp diodes.

### 4.3 Short Circuit Protection

The outputs are protected against short circuit to ground and short circuit over load

An internal OP-Amp controls the Drain-Source-Voltage by comparing the DS-Voltage-Drop with an internal reference voltage. Above this trip point the OP-Amp reduces the output current depending on the junction temperature and the drop voltage.

### 4.4 Overtemperature Protection

The high-side switches also incorporate an over temperature protection circuit with hysteresis which switches off the output transistors and sets the status output to low.

### 4.5 Undervoltage Lockout

When  $V_{\text{S}}$  reaches the switch-on voltage  $V_{\text{UVON}}$  the IC becomes active with a hysteresis. The high-side output transistors are switched off if the supply voltage  $V_{\text{S}}$  drops below the switch off value  $V_{\text{UVOFF}}$ .

### 4.6 Status Flag

The status flag output is an open drain output with zener-diode which requires a pull-up resistor, as shown in the application circuit in [Figure 4 “Application Example BTM7710GP” on Page 15](#). Various errors as listed in the table “Diagnosis” are reported by switching the open drain output ST to low.



**Table 3 Truth table and Diagnosis (valid only for the High-Side-Switches)**

Flag	IH1	IH2	SH1	SH2	ST	Remarks
	Inputs		Outputs			
Normal operation; identical with functional truth table	0	0	L	L	1	stand-by mode
	0	1	L	H	1	switch2 active
	1	0	H	L	1	switch1 active
	1	1	H	H	1	both switches active
Overtemperature high-side switch1	0	X	L	X	1	detected
	1	X	L	X	0	
Overtemperature high-side switch2	X	0	X	L	1	detected
	X	1	X	L	0	
Overtemperature both high-side switches	0	0	L	L	1	detected detected
	X	1	L	L	0	
	1	X	L	L	0	
Under voltage	X	X	L	L	1	not detected

**Inputs:**

0 = Logic LOW  
1 = Logic HIGH  
X = don't care

**Outputs:**

Z = Output in tristate condition  
L = Output in sink condition  
H = Output in source condition  
X = Voltage level undefined

**Status:**

1 = No error  
0 = Error

## 5 Electrical Characteristics

### 5.1 Absolute Maximum Ratings

#### Absolute Maximum Ratings<sup>1)</sup>

– 40 °C <  $T_j$  < 110 °C

Pos.	Parameter	Symbol	Limit Values		Unit	Remarks
			min.	max.		
<b>High-Side-Switches (Pins DHVS, IH1,2 and SH1,2)</b>						
5.1.1	Supply voltage	$V_S$	– 0.3	42	V	–
5.1.2	Supply voltage for full short circuit protection	$V_{S(SCP)}$	–	28	V	–
5.1.3	HS-drain current	$I_S$	– 10	2)	A	$T_A = 25^\circ\text{C}$ ; $t_P < 100$ ms
5.1.4	HS-input current	$I_{IH}$	– 5	5	mA	Pin IH1 and IH2
5.1.5	HS-input voltage	$V_{IH}$	– 10	16	V	Pin IH1 and IH2
<b>Status Output ST</b>						
5.1.6	Status pull up voltage	$V_{ST}$	– 0.3	5.4	V	–
5.1.7	Status Output current	$I_{ST}$	– 5	5	mA	Pin ST
<b>Low-Side-Switches (Pins DL1,2, IL1,2 and SL1,2)</b>						
5.1.8	Drain-Source-Clamp voltage	$V_{DSL}$	55	–	V	$V_{IL} = 0$ V; $I_D \leq 1$ mA $T_j = 25^\circ\text{C}$
5.1.9	LS-drain current	$I_{DL}$	– 12	12	A	$T_C = 125^\circ\text{C}$ ; DC
5.1.10			–	20	A	$T_C = 85^\circ\text{C}$ ; $t_P < 100$ ms; duty cycle < 0.1
5.1.11			–	30	A	$T_C = 85^\circ\text{C}$ ; $t_P < 1$ ms; duty cycle < 0.1
5.1.12	LS-input voltage	$V_{IL}$	– 20	20	V	Pin IL1 and IL2
<b>Temperatures</b>						
5.1.13	Junction temperature	$T_j$	– 40	110	°C	–
5.1.14	Storage temperature	$T_{stg}$	– 55	150	°C	–
<b>ESD Protection<sup>3)</sup></b>						
5.1.15	Input LS-Switch	$V_{ESD}$	–	0.3	kV	–
5.1.16	Input HS-Switch	$V_{ESD}$	–	1	kV	–
5.1.17	Status HS-Switch	$V_{ESD}$	–	2	kV	–
5.1.18	Output LS and HS-Switch	$V_{ESD}$	–	8	kV	all other pins connected to Ground

1) Not subject to production test; specified by design

2) Internally limited

3) ESD susceptibility HBM according to EIA/JESD22-A114-B (1.5kΩ, 100pF)

*Note: Stresses above the ones listed here may cause permanent damage to the device. Exposure to absolute maximum rating conditions for extended periods may affect device reliability.*

*Note: Integrated protection functions are designed to prevent IC destruction under fault conditions described in the data sheet. Fault conditions are considered as “outside” normal operating range. Protection functions are not designed for continuous repetitive operation.*

## 5.2 Functional Range

Pos.	Parameter	Symbol	Limit Values		Unit	Remarks
			min.	max.		
5.2.1	Supply voltage	$V_S$	$V_{UVOFF}$	42	V	After $V_S$ rising above $V_{UVON}$
5.2.2	Input voltage HS	$V_{IH}$	- 0.3	15	V	-
5.2.3	Input voltage LS	$V_{IL}$	- 0.3	20	V	-
5.2.4	Status output current	$I_{ST}$	0	2	mA	-
5.2.5	Junction temperature	$T_j$	- 40	110	°C	-

Note: Within the functional range the IC operates as described in the circuit description. The electrical characteristics are specified within the conditions given in the related electrical characteristics table

## 5.3 Thermal Resistance

Pos.	Parameter	Symbol	Limit Values			Unit	Conditions
			Min.	Typ.	Max.		
5.3.1	LS-junction to Case <sup>1)</sup>	$R_{thJC L}$	-	-	1.7	K/W	measured to pin 3 or 12
5.3.2	HS-junction to Case <sup>1)</sup>	$R_{thJC H}$	-	-	1.7	K/W	measured to pin 19
5.3.3	Junction to Ambient <sup>1)</sup> $R_{thJA} = T_j(HS) / (P_{(HS)} + P_{(LS)})$	$R_{thJA}$	-	16	-	K/W	<sup>2)</sup>

1) Not subject to production test, specified by design.

2) Specified  $R_{thJA}$  value is according to Jedec JESD51-2,-5,-7 at natural convection on FR4 2s2p board; The Product (chip+package) was simulated on a 76.2 x 114.3 x 1.5 mm board with 2 inner copper layers (2 x 70µm Cu, 2 x 35µm Cu). Where applicable a thermal via array under the exposed pad contacted the first inner copper layer.

## 5.4 Electrical Characteristics

$I_{SH1} = I_{SH2} = I_{SL1} = I_{SL2} = 0$  A;  $-40$  °C <  $T_j$  <  $110$  °C;  $8$  V <  $V_S$  <  $18$  V

unless otherwise specified

Pos.	Parameter	Symbol	Limit Values			Unit	Test Condition
			min.	typ.	max.		
<b>Current Consumption HS-switch</b>							
5.4.4	Quiescent current	$I_S$	-	5	9	µA	IH1 = IH2 = 0 V $T_j = 25$ °C
			-	-	12	µA	IH1 = IH2 = 0 V <sup>1)</sup>
5.4.5	Supply current; one HS-switch active	$I_S$	-	1.5	3	mA	IH1 or IH2 = 5 V $V_S = 12$ V
5.4.6	Supply current; both HS-switches active	$I_S$	-	3	6	mA	IH1 and IH2 = 5 V $V_S = 12$ V
5.4.7	Leakage current of high-side switch	$I_{SH LK}$	-	-	6	µA	$V_{IH} = V_{SH} = 0$ V $V_S = 12$ V
5.4.8	Leakage current through logic GND in free wheeling condition	$I_{LKCL} = I_{FH} + I_{SH}$	-	-	10	mA	$I_{FH} = 3$ A $V_S = 12$ V

$I_{SH1} = I_{SH2} = I_{SL1} = I_{SL2} = 0 \text{ A}; -40 \text{ }^\circ\text{C} < T_j < 110 \text{ }^\circ\text{C}; 8 \text{ V} < V_s < 18 \text{ V}$ 
**unless otherwise specified**

Pos.	Parameter	Symbol	Limit Values			Unit	Test Condition
			min.	typ.	max.		
<b>Current Consumption LS-switch</b>							
5.4.9	Input current	$I_{IL}$	–	10	100	nA	$V_{IL} = 20 \text{ V};$ $V_{DSL} = 0 \text{ V}$
5.4.10	Leakage current of low-side switch	$I_{DLK}$	–	–	10	$\mu\text{A}$	$V_{IL} = 0 \text{ V}$ $V_{DSL} = 40 \text{ V}$
<b>Under Voltage Lockout HS-switch</b>							
5.4.11	Switch-ON voltage	$V_{UVON}$	–	–	4.8	V	$V_s$ increasing
5.4.12	Switch-OFF voltage	$V_{UVOFF}$	1.8	–	3.5	V	$V_s$ decreasing
5.4.13	Switch ON/OFF hysteresis	$V_{UVHY}$	–	1	–	V	$V_{UVON} - V_{UVOFF}$
<b>Output stages</b>							
5.4.14	Inverse diode of high-side switch; Forward-voltage	$V_{FH}$	–	0.8	1.2	V	$I_{FH} = 3 \text{ A}$
5.4.15	Inverse diode of low-side switch; Forward-voltage	$V_{FL}$	–	0.8	1.2	V	$I_{FL} = 3 \text{ A}$
5.4.16	Static drain-source on-resistance of high-side switch	$R_{DS\ ON\ H}$	–	70	–	m $\Omega$	$I_{SH} = 1 \text{ A}; V_s = 12 \text{ V}$ $T_j = 25 \text{ }^\circ\text{C}$
			–	110	165	m $\Omega$	$I_{SH} = 1 \text{ A}; V_s = 12 \text{ V}$ $T_j = 110 \text{ }^\circ\text{C}^{1)}$
5.4.17	Static drain-source on-resistance of low-side switch	$R_{DS\ ON\ L}$	–	40	–	m $\Omega$	$I_{SL} = 1 \text{ A}; V_{IL} = 5 \text{ V}$ $T_j = 25 \text{ }^\circ\text{C}$
			–	50	75	m $\Omega$	$I_{SL} = 1 \text{ A}; V_{IL} = 5 \text{ V}$ $T_j = 110 \text{ }^\circ\text{C}^{1)}$

$I_{SH1} = I_{SH2} = I_{SL1} = I_{SL2} = 0 \text{ A}; -40 \text{ }^\circ\text{C} < T_j < 110 \text{ }^\circ\text{C}; 8 \text{ V} < V_s < 18 \text{ V}$ 
**unless otherwise specified**

Pos.	Parameter	Symbol	Limit Values			Unit	Test Condition
			min.	typ.	max.		
<b>Short Circuit of high-side switch to GND</b>							
5.4.18	Initial peak SC current $t_{del} = 100 \mu\text{s}; V_s = 12 \text{ V}; V_{DSH} = 12 \text{ V}$	$I_{SCP\ H}$	15	18	20	A	$T_j = -40 \text{ }^\circ\text{C}$
			–	15	–	A	$T_j = +25 \text{ }^\circ\text{C}$
			10	12	15	A	$T_j = +110 \text{ }^\circ\text{C}^{1)}$
<b>Short Circuit of high-side switch to <math>V_s</math></b>							
5.4.19	Output pull-down-resistor	$R_O$	8	15	35	k $\Omega$	$V_{DSL} = 3 \text{ V}$
<b>Thermal Shutdown<sup>1)</sup></b>							
5.4.20	Thermal shutdown junction temperature	$T_{j\ SD}$	155	180	190	$^\circ\text{C}$	–
5.4.21	Thermal switch-on junction temperature	$T_{j\ SO}$	150	170	180	$^\circ\text{C}$	–
5.4.22	Temperature hysteresis	$\Delta T$	–	10	–	$^\circ\text{C}$	$\Delta T = T_{j\ SD} - T_{j\ SO}$
<b>Status Flag Output ST of high-side switch</b>							
5.4.23	Low output voltage	$V_{ST\ L}$	–	0.2	0.6	V	$I_{ST} = 1.6 \text{ mA}$
5.4.24	Leakage current	$I_{ST\ LK}$	–	–	10	$\mu\text{A}$	$V_{ST} = 5 \text{ V}$
5.4.25	Zener-limit-voltage	$V_{ST\ Z}$	5.4	–	–	V	$I_{ST} = 1.6 \text{ mA}$
<b>Switching times of high-side switch<sup>1)</sup></b>							
5.4.26	Turn-ON-time to 90% $V_{SH}$	$t_{ON}$	–	75	160	$\mu\text{s}$	$R_{Load} = 12 \Omega$ $V_s = 12 \text{ V}$
5.4.27	Turn-OFF-time to 10% $V_{SH}$	$t_{OFF}$	–	60	160	$\mu\text{s}$	
5.4.28	Slew rate on 10 to 30% $V_{SH}$	$dV/dt_{ON}$	–	–	1.8	V/ $\mu\text{s}$	
5.4.29	Slew rate off 70 to 40% $V_{SH}$	$-dV/dt_{OFF}$	–	–	2.1	V/ $\mu\text{s}$	
<b>Switching times of low-side switch<sup>1)</sup></b>							
5.4.30	Turn-ON Delay Time	$t_{d(on)}$	–	5	–	ns	resistive load $I_{SL} = 3 \text{ A}; V_{DSL} = 12 \text{ V}$ $V_{IL} = 5 \text{ V}; R_G = 16 \Omega$
5.4.31	Rise Time	$t_r$	–	25	–	ns	
5.4.32	Switch-OFF Delay Time	$t_{d(off)}$	–	15	–	ns	
5.4.33	Fall Time	$t_f$	–	25	–	ns	
<b>Gate charge of low-side switch<sup>1)</sup></b>							
5.4.34	Input to source charge	$Q_{IS}$	–	4	–	nC	$I_{SL} = 3 \text{ A}; V_{DSL} = 12 \text{ V}$ $V_{IL} = 0 \text{ to } 5 \text{ V}$
5.4.35	Input to drain charge	$Q_{ID}$	–	8	–	nC	
5.4.36	Input charge total	$Q_I$	–	17	40	nC	
5.4.37	Input plateau voltage	$V_{(plateau)}$	–	2.5	–	V	

<sup>1)</sup>Not subject to production test; specified by design

$I_{SH1} = I_{SH2} = I_{SL1} = I_{SL2} = 0 \text{ A}; -40 \text{ }^\circ\text{C} < T_j < 110 \text{ }^\circ\text{C}; 8 \text{ V} < V_s < 18 \text{ V}$

unless otherwise specified

Pos.	Parameter	Symbol	Limit Values			Unit	Test Condition
			min.	typ.	max.		
<b>Control Inputs of high-side switches IH 1, 2</b>							
5.4.38	H-input voltage	$V_{IH \text{ High}}$	–	–	2.5	V	–
5.4.39	L-input voltage	$V_{IH \text{ Low}}$	1	–	–	V	–
5.4.40	Input voltage hysteresis	$V_{IH \text{ HY}}$	–	0.3	–	V	–
5.4.41	H-input current	$I_{IH \text{ High}}$	15	30	60	$\mu\text{A}$	$V_{IH} = 5 \text{ V}$
5.4.42	L-input current	$I_{IH \text{ Low}}$	5	–	20	$\mu\text{A}$	$V_{IH} = 0.4 \text{ V}$
5.4.43	Input series resistance	$R_I$	2.7	4	5.5	$\text{k}\Omega$	–
5.4.44	Zener limit voltage	$V_{IH \text{ Z}}$	5.4	–	–	V	$I_{IH} = 1.6 \text{ mA}$
<b>Control Inputs IL1, 2</b>							
5.4.45	Gate-threshold-voltage	$V_{IL \text{ th}}$	0.9	1.7	2.35	V	$I_{DL} = 1.0 \text{ mA}$

1) Not subject to production test; specified by design

*Note: The listed characteristics are ensured over the operating range of the integrated circuit. Typical characteristics specified mean values expected over the production spread. If not otherwise specified, typical characteristics apply at  $T_A = 25 \text{ }^\circ\text{C}$  and the given supply voltage.*



## 7 Package Outlines

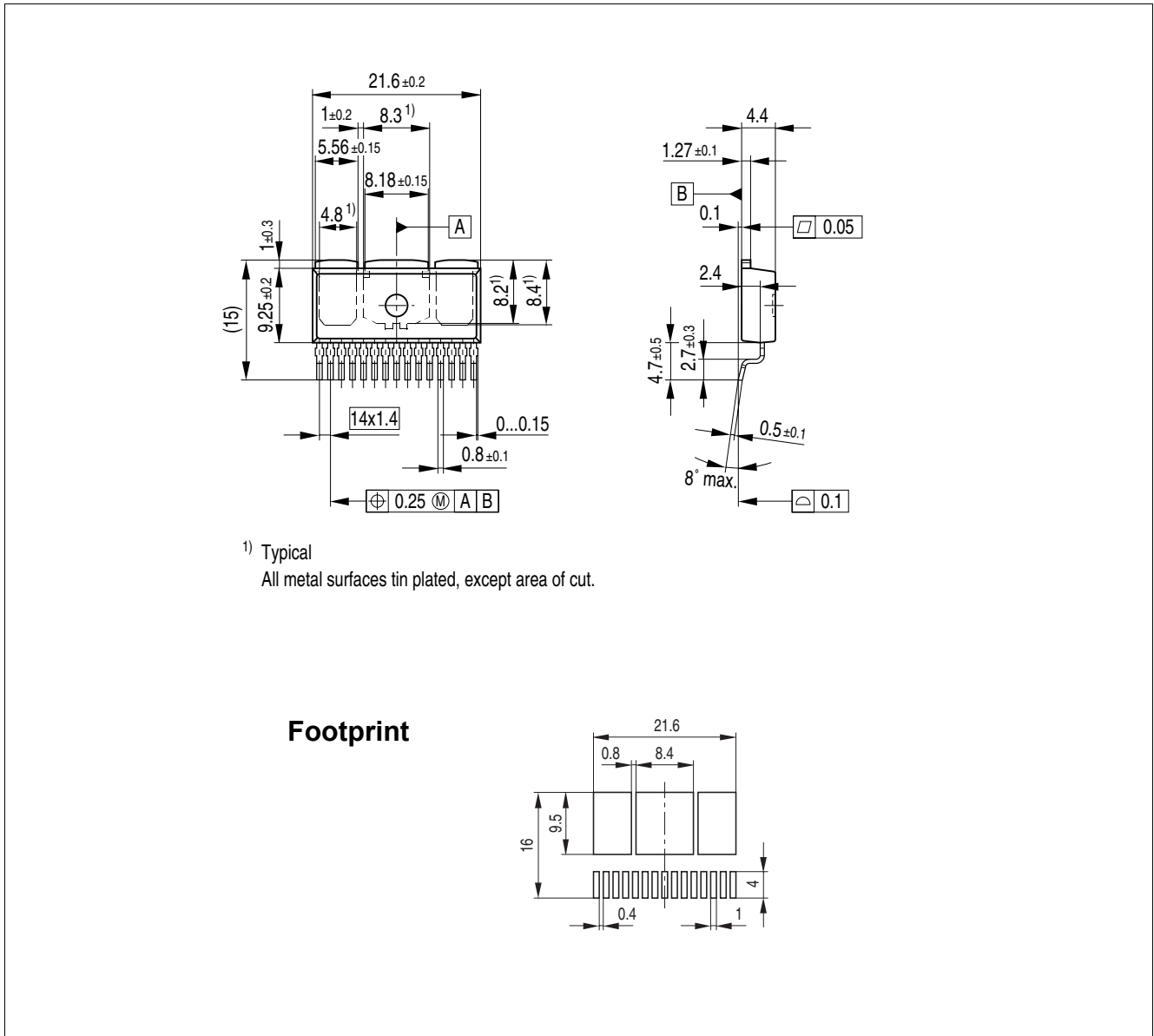


Figure 5 PG-TO263-15-1 (Plastic Transistor Single Outline Package)

### Green Product (RoHS compliant)

To meet the world-wide customer requirements for environmentally friendly products and to be compliant with government regulations the device is available as a green product. Green products are RoHS-Compliant (i.e. Pb-free finish on leads and suitable for Pb-free soldering according to IPC/JEDEC J-STD-020).

For further information on alternative packages, please visit our website:  
<http://www.infineon.com/packages>.

Dimensions in mm





**Edition 2008-07-07**

**Published by  
Infineon Technologies AG  
81726 Munich, Germany**

**© 7/10/08 Infineon Technologies AG  
All Rights Reserved.**

### **Legal Disclaimer**

The information given in this document shall in no event be regarded as a guarantee of conditions or characteristics. With respect to any examples or hints given herein, any typical values stated herein and/or any information regarding the application of the device, Infineon Technologies hereby disclaims any and all warranties and liabilities of any kind, including without limitation, warranties of non-infringement of intellectual property rights of any third party.

### **Information**

For further information on technology, delivery terms and conditions and prices, please contact the nearest Infineon Technologies Office ([www.infineon.com](http://www.infineon.com)).

### **Warnings**

Due to technical requirements, components may contain dangerous substances. For information on the types in question, please contact the nearest Infineon Technologies Office.

Infineon Technologies components may be used in life-support devices or systems only with the express written approval of Infineon Technologies, if a failure of such components can reasonably be expected to cause the failure of that life-support device or system or to affect the safety or effectiveness of that device or system. Life support devices or systems are intended to be implanted in the human body or to support and/or maintain and sustain and/or protect human life. If they fail, it is reasonable to assume that the health of the user or other persons may be endangered.