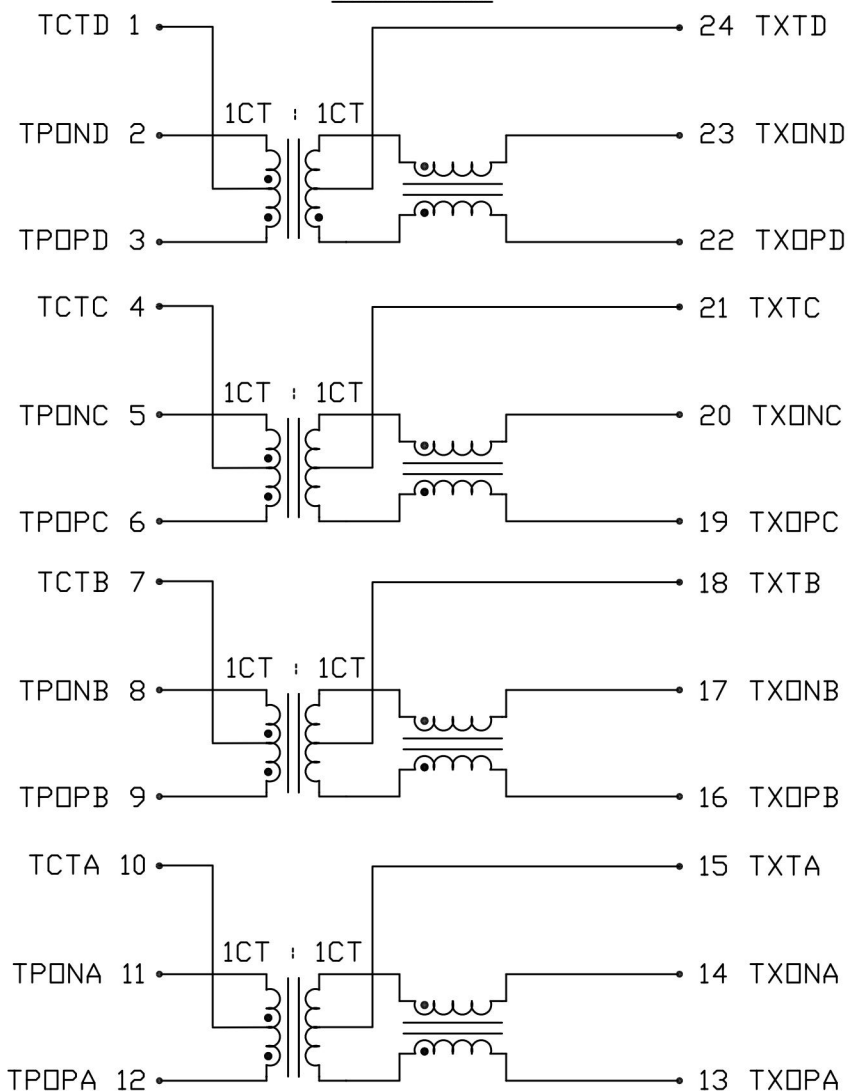


THE INFORMATION CONTAINED HEREIN IS CONSIDERED 'PROPRIETARY' TO BEL FUSE INC. AND SHALL NOT BE COPIED, REPRODUCED OR DISCLOSED WITHOUT THE WRITTEN APPROVAL OF BEL FUSE INC.



SCHEMATIC



ELECTRICAL CHARACTERISTICS @ 25°C

URNS RATIO

(3-1-2) : (22-24-23)	1CT : 1CT
(6-4-5) : (19-21-20)	1CT : 1CT
(9-7-8) : (16-18-17)	1CT : 1CT
(12-10-11) : (13-15-14)	1CT : 1CT

OCL
-40°C TO +85°C

350μH MIN. AT 100kHz, 100mV
WITH 8mA DC BIAS

INSERTION LOSS

1.1dB MAX. @ 0.1 TO 1MHz
0.5dB MAX. @ 1 TO 65MHz
1.0dB MAX. @ 80MHz
1.2dB MAX. @ 125MHz

RETURN LOSS
UNDER 100 OHM
±15% ENVIRONMENT

18dB MIN. @ 0.5 TO 40 MHz
12-20LOG (f/80MHz) dB MIN.
@ 40 TO 100MHz

COMMON TO COMMON REJECTION

30dB MIN. @ 0.1 TO 100MHz

CROSSTALK

33-20LOG (f/100MHz) dB MIN.
@ 1 TO 100MHz

HIPOT

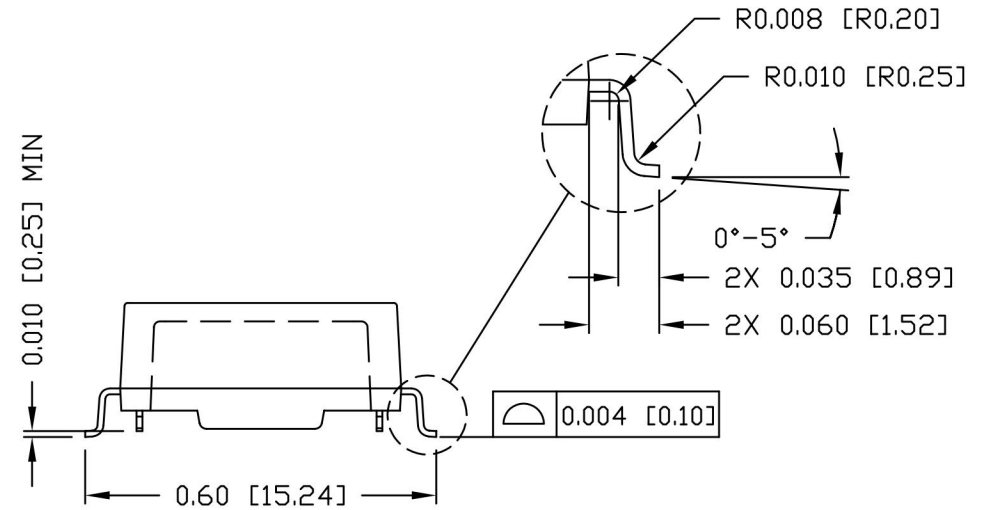
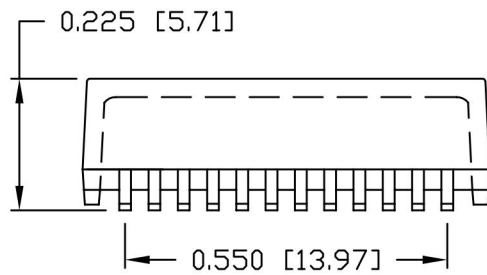
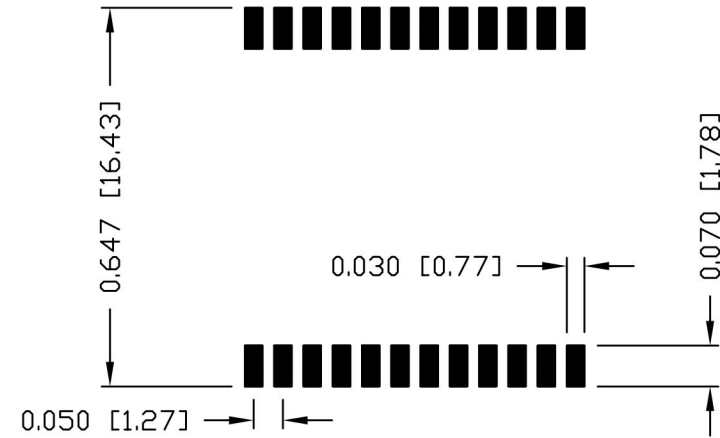
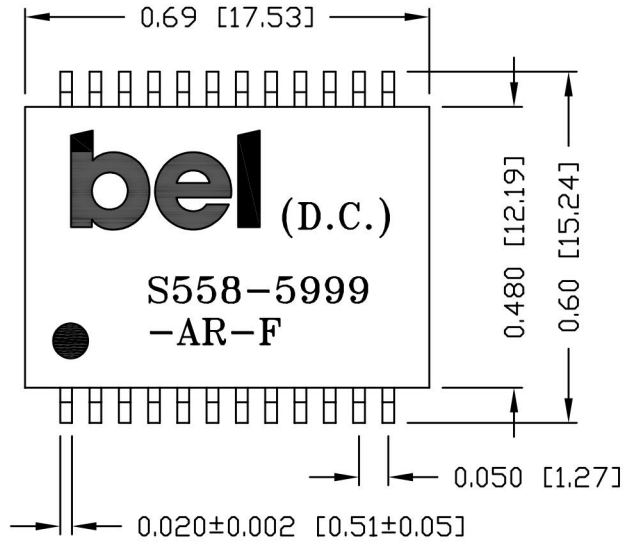
PER HAND-WORK-03

ORIGINATED BY Alice Pang		DATE 2015-10-29	TITLE ELECTRICAL SPECIFICATION S558-5999-AR-F	PART NO. / DRAWING NO. X5585999AR-F		STANDARD DIM. [] METRIC DIM. AS REF.		REV. : B	PAGE : 2
DRAWN BY ZC Guo		DATE 2015-10-29		FILE NAME X5585999ARFB.DWG	TOL. IN INCH		UNIT : INCH [mm]		 POWER PROTECT CONNECT
					.X		SCALE : N/A		
				.XX		 SIZE : A4			
				.XXX					

THE INFORMATION CONTAINED HEREIN IS CONSIDERED "PROPRIETARY" TO BEL FUSE INC. AND SHALL NOT BE COPIED, REPRODUCED OR DISCLOSED WITHOUT THE WRITTEN APPROVAL OF BEL FUSE INC.

SUGGESTED PCB PAD LAYOUT

RoHS



NOTES:

- STANDARD MARKING REFER TO DOC. HAND-WORK-04.
- PACKAGE CODE: "RQS001".

REV. : B PAGE : 3

ORIGINATED BY	DATE
Lawrence Tsang	2015-10-29
DRAWN BY	DATE
ZC Guo	2015-10-29

TITLE
MECHANICAL DRAWING S558-5999-AR-F

PART NO. / DRAWING NO.
X5585999AR-F
FILE NAME
X5585999ARFB.DWG

STANDARD DIM.	[] METRIC DIM. AS REF.
TOL. IN INCH	
.X	
.XX	±0.01
.XXX	±0.005

UNIT : INCH [mm]
SCALE : N/A
SIZE : A4

