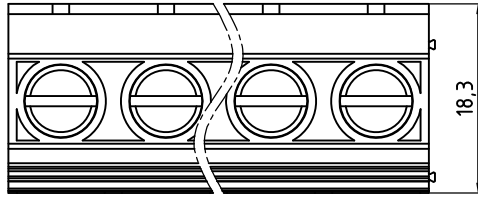
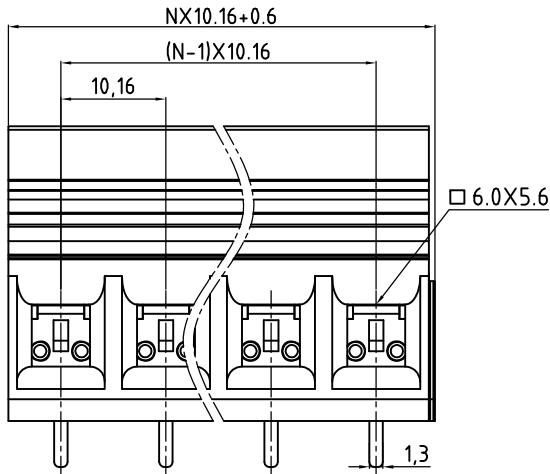


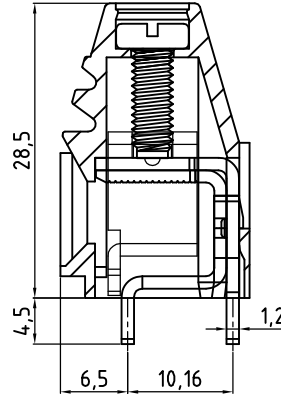
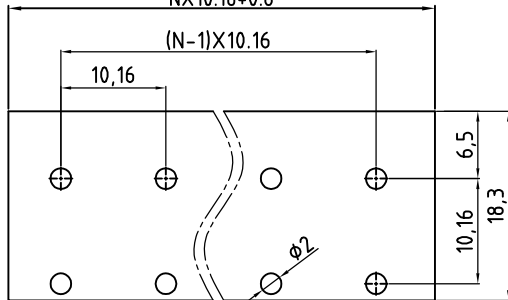
Transfer or duplication of this document as well as the utilisation or communication of its content are not permitted unless express consent is granted. Violations give rise to claims for damages. All rights reserved in case of patent, utility model or design patent registrations.



N=Number of contacts



P.C.B. LAYOUT



Technical Data:

Electrical

- Pitch: 10.16mm
- Voltage rating: 300 V
- Current rating: 64 Amps
- Contact resistance: 20mΩ(max)
- Withstanding Voltage: 2500VAC(1min) Test time=60sec/1pcs
- Wire range: 6-20 AWG
- Wire strip length: 10-11mm

Mechanical:

- Torque: 16.0kgf.cm/M4
- Operating temperature: -40°C to +105°C
- Soldering temperature
- Temperature= 250°C±10°C /5 seconds max
- Safety approval:
- RoHS Compliance

Part No.:

OSTV PXX6584

No. of Poles	COLOR
02 2 Poles	0: Black
03 3 Poles	2: Red
...	3: Orange
24 24 Poles	4: Yellow
	5: Green
	6: Blue
	8: Grey (Standard)

Nonstandard colors
Mins could apply

5	Screw	Steel / M4.0	Cr3+ plated	1xN
4	Contact	Copper Alloy	Ni plated	1xN
3	back Terminal	Copper Alloy	Tin plated	1xN
2	Front Terminal	Copper Alloy	Tin plated	1xN
1	Body	PA66 UL94V-0		1
ITEM	NAME OF PART	MATERIAL	NOTES	Q"TY
DWG.	DATE	UNITS:	MM	SHEET: 1 OF 1
CHK.	DATE	SCALE:	NONE 2:1 (.)	REV.: A
APP.	DATE	TITLE:	OSTVP SERIES 10.16MM SINGLE CONTACT WITH STEEL STAMPING	
		PART NO.	OSTV PXX6584	
		DWG NO.	OSTV PXX6584.DWG	
			X.	±0.50
			X.X	±0.30
			X.XX	±0.10
			X*	±1°

REV	SIGN	DESCRIPTION	CHK.	DATE



ON-SHORE TECHNOLOGY, INC.