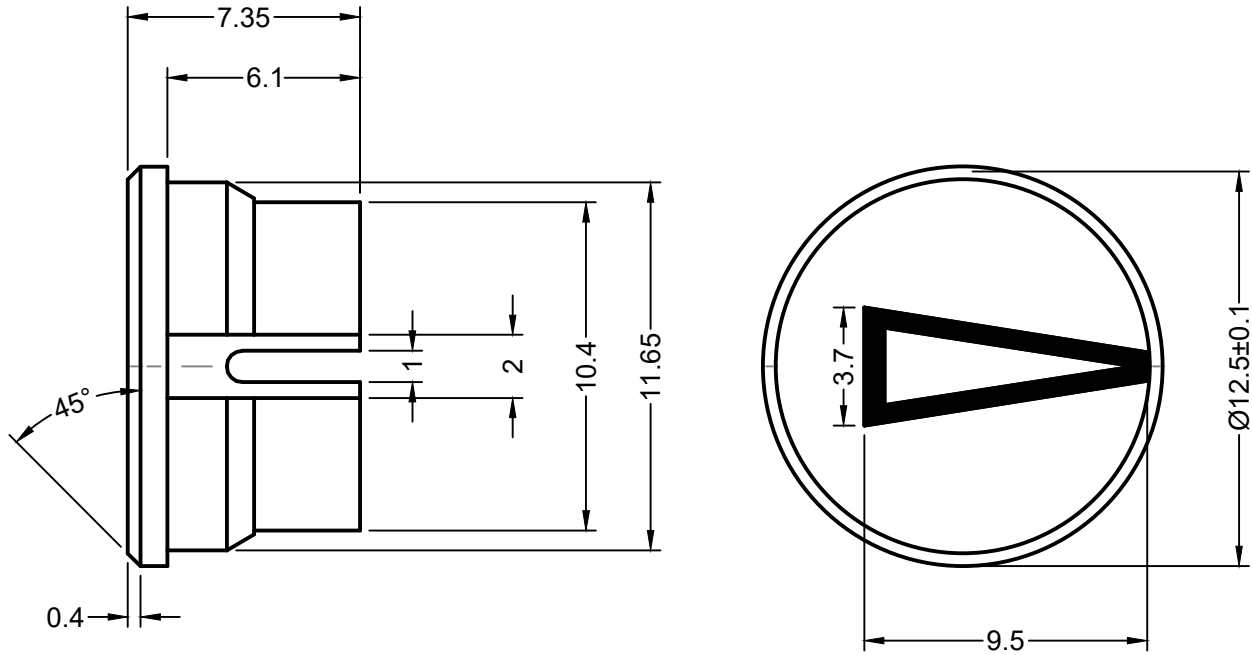


MATERIAL & FINISH:
Polyamid 6, Matte Finish

RoHS
COMPLIANT



REVISIONS	CHANGE	CHK	CHK	APPR
	CHANGE			
REV	DATE			

P/N	COLORS
30-15-131	LT. GRAY
30-15-132	GRAY
30-15-133	BLACK
30-15-134	RED
30-15-135	BLUE
30-15-136	YELLOW
30-15-137	GREEN

TOLERANCE UNLESS OTHERWISE SPECIFIED	
X	± 1
X.X	± 0.4
X.XX	± 0.13
DRAWN BY	PB
CHECK BY	
APPR BY	
DATE:	3/18/22
DATE:	
DATE:	

Power Dynamics, Inc.
Phone: 973 560-0019 Whippary, New Jersey Fax: 973 560-0076

PART: 15MM FLAT CAP WITH ARROW
MATTE FINISH

PART #: **30-15-13X**

SIZE: A
SCALE: NTS

ALL DIMENSIONS FOR REFERENCE ONLY
DIMENSIONS ARE IN MILLIMETERS

SHEET 1 of 1
REV: