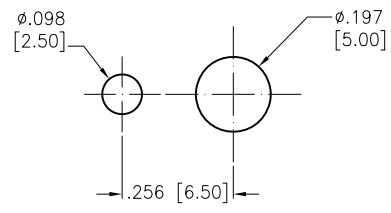
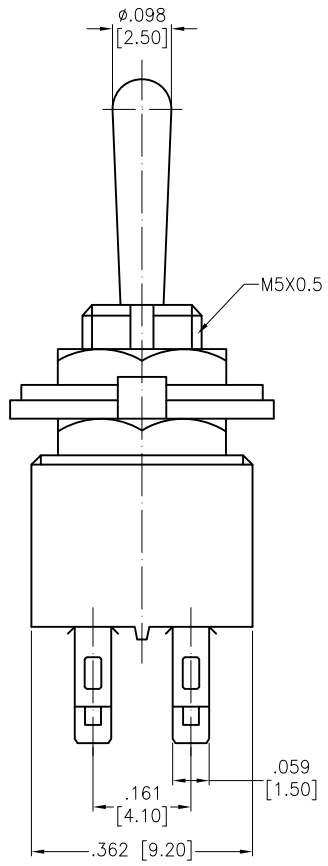
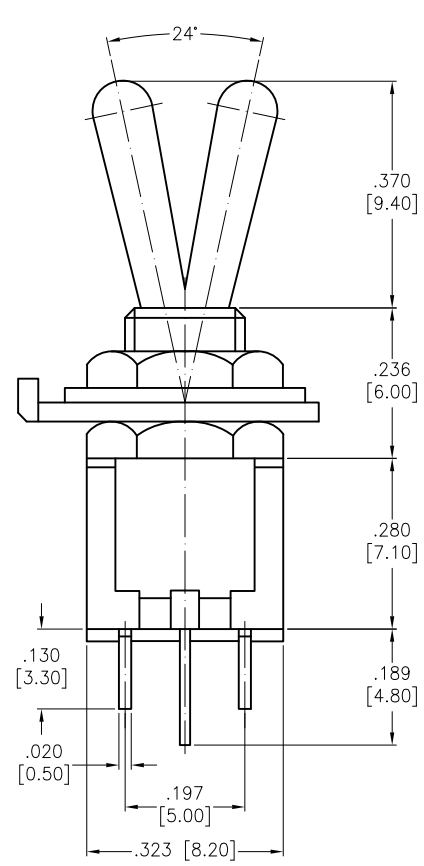
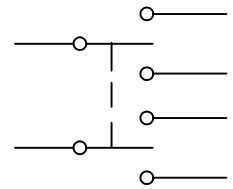


Rev	AWO #	Description	Date	Appr
-		RELEASED	8/11/21	

APPROVED: _____
DATE: _____ TITLE: _____



RECOMMENDED
PANEL CUT-OUT



(DPDT) ON-ON

SPECIFICATIONS:

Material:
Body: PA66, Color: Black
Lever: Brass, Nickel plated
Terminal: Brass, Silver plated
Electrical:
Rating: 1.5A @ 250V AC
3A @ 125V AC
Contact resistance: 20 mΩ max
Insulation resistance: 1000 MΩ min (500VDC)
Dielectric withstanding voltage: 1000V AC for 1 minute
Electrical Life: 10,000 cycles
Temperature Rating:
Operating temperature: -25°C to +85°C
Environmental:
Lead free, RoHS compliant



UNLESS OTHERWISE SPECIFIED ALL DIMENSIONS ARE INCHES [MM]. TOLERANCES: EXCEPT AS NOTED		
INCHES	HOLES	
.X ± .10	Ø.X ± .10	
.XX ± .020	Ø.XX ± .015	
.XXX ± .015	Ø.XXX ± .010	
DRAWN	JJ	8/11/21
CHECKED	RC	8/11/21
APPROVED		
THIS DRAWING CONTAINS INFORMATION THAT IS PROPRIETARY AND SHOULD NOT BE USED WITHOUT PRIOR WRITTEN PERMISSION FROM ADAM TECH		

ADAM TECH	909 Rahway Avenue, Union, NJ 07083 Phone: 908-687-5000 Fax: 908-687-5710	
	TITLE SWITCH, TOGGLE SUB-MINIATURE, DPDT, ON-ON, SOLDER TYPE	
SIZE X	PART NO. SW-T3-4B-A-A3-S2	REV. -
REF: -	SCALE: NTS	SHEET 1 OF 1