

REFERENCE STANDARD IEC60169-4

1.ELECTRIC PERFORMANCE:
 NOMINAL IMPEDANCE(Ω) : 50
 FREQUENCY RANGE : DC-6 GHz
 VSWR : ≤ 1.10
 PIM(dBc) : ≤ -160 (2 X 43 dBm)
 INSERT LOSS : ≤ 0.05
 INSULATION RESISTANCE ($M\Omega$) : ≥ 10000
 PROOF VOLTAGE (V) : 1500
 CONDUCTOR RESISTANCE ($m\Omega$) : OUTER CONDUCTOR <0.2
 INNER CONDUCTOR <0.8

2.MECHANICAL PERFORMANCE:
 RETENTION : $\geq 5.88N$
 MECHANICAL WEAR (HYPO-) : 500
 TENSILE FORCE (CABLE-CONNECTOR) : 150N
 TORSION(CABLE-CONNECTOR) : 0.3N.m

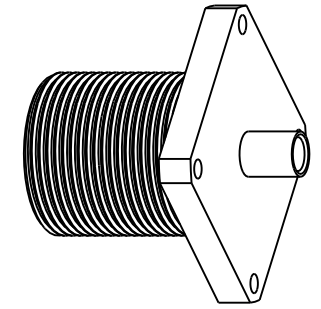
3.MATERIAL AND PLATING:
 INNER CONDUCTOR : SPRING BRONZE PLATING Ag5um
 OUTER CONDUCTOR : BRASS PLATING COPPER-TIN-ZINC 2um
 INSULATOR : PTFE

4.ENVIRONMENT:
 TEMP.RANGE : $-55^{\circ}C$ TO $+155^{\circ}C$
 WEATHER STANDARD : IEC 60068 40/085/21
 THERMAL SHOCK : US MIL-STD 202,Meth.107, COND.B
 VIBRATION : US MIL-STD 202 Meth.204, COND.B
 SHOCK : US MIL-STD 202,Meth.213, COND.I

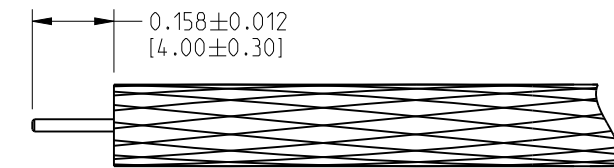
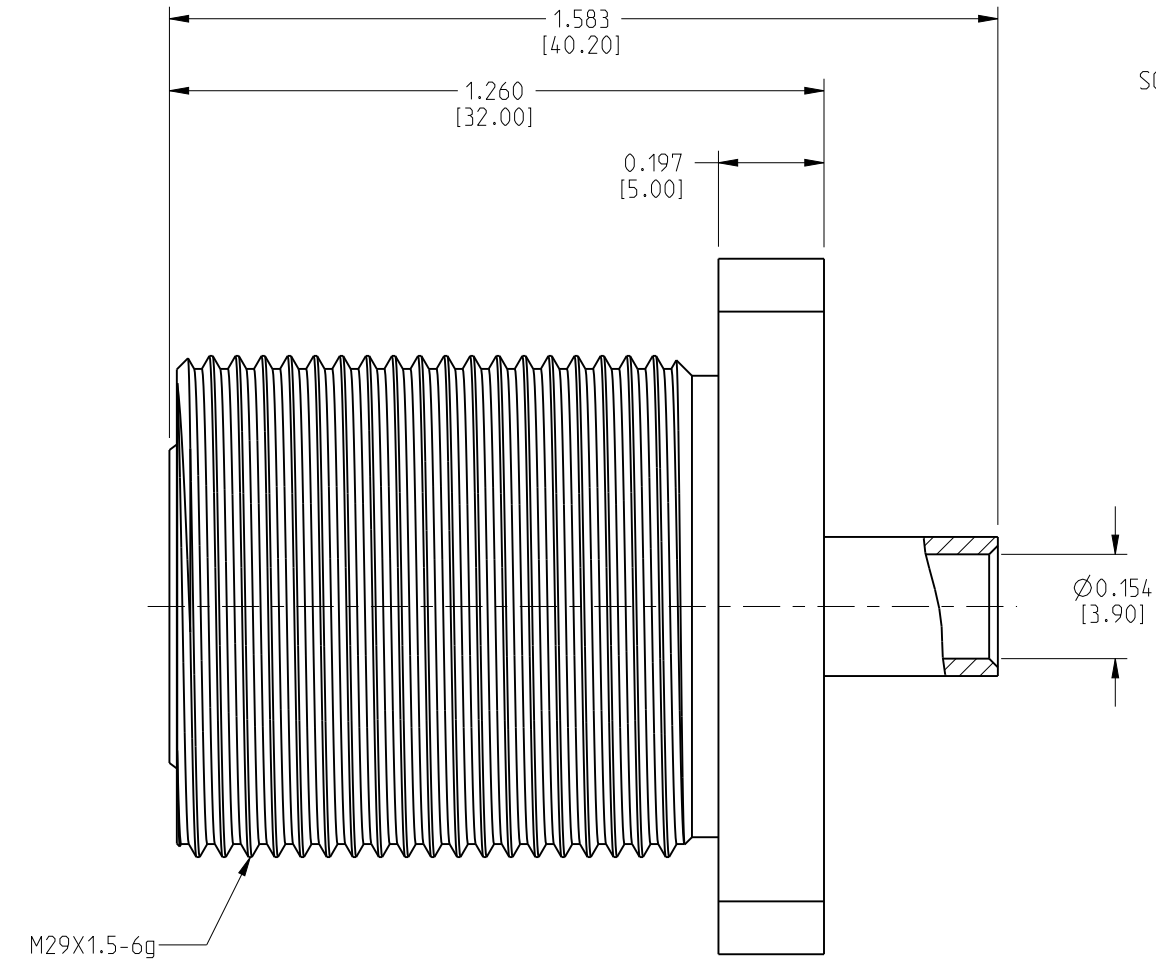
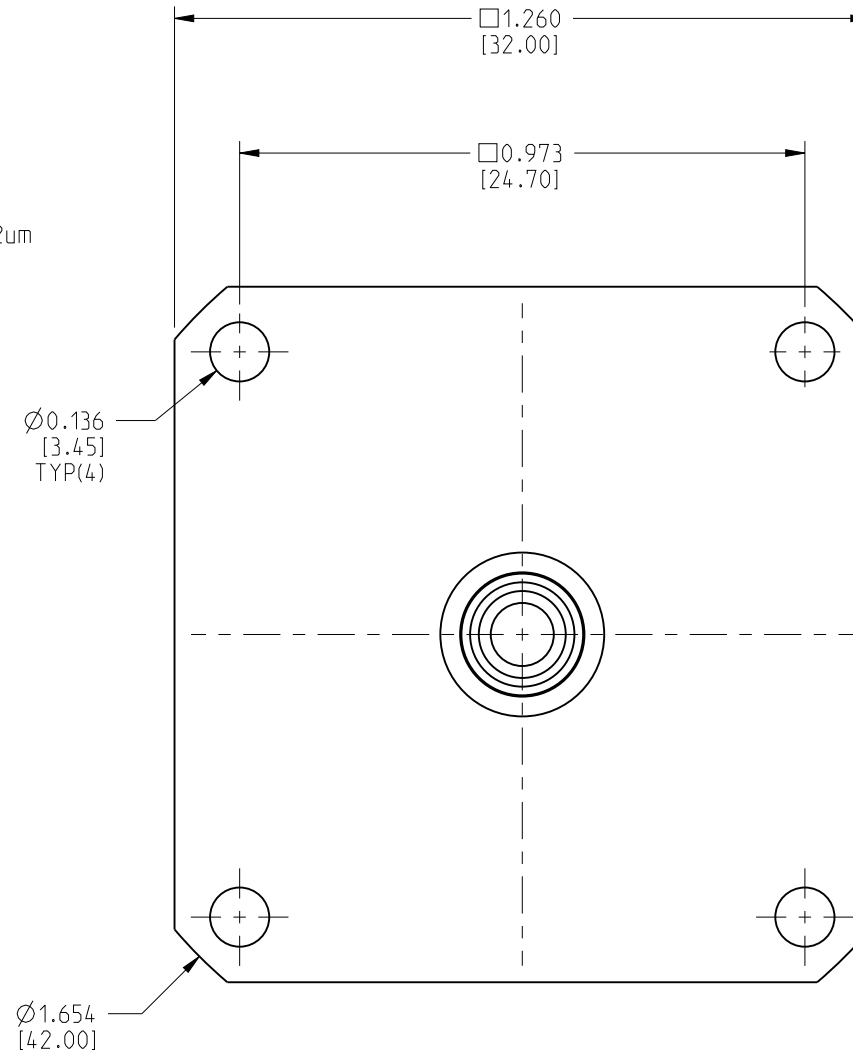
5.ASSEMBLY: INNER AND OUTER CONDUCTOR SOLDERED

6.ROHS COMPLIANT.

272100-11		REVISIONS			
DRAWING NO.	REV	DESCRIPTION	DATE	ECO	APPR
THIRD ANGLE PROJ.	A	RELEASE TO MFG.	12-Oct-12	--	MG



SCALE 0.750



RECOMMENDED
CABLE STRIPPING DIMENSION

3	INSULATOR	PTFE	NATURAL	1
2	CONTACT PIN	SPRING BRONZE	SILVER	1
1	BODY	BRASS	WHITE BRONZE	1
NO	DESCRIPTION	MATERIAL	FINISH	QTY

UNLESS OTHERWISE SPECIFIED, DIMENSIONS ARE IN INCHES AND TOLERANCES ARE:
 2 PLACE DECIMAL 3 PLACE DECIMAL ANGLES
 ± 0.015 (0,381 mm) ± 0.005 (0,127 mm) $\pm 1^{\circ}$

NOTICE - These drawings, specifications, or other data (1) are, and remain the property of Amphenol Corp. (2) must be returned upon request; and (3) are confidential and not to be disclosed to any person other than those to whom they are given by Amphenol Corp. The furnishing of these drawings, specifications, or other data by Amphenol Corp., or to any other person to anyone for any purpose is not to be regarded by implication or otherwise in any manner licensing, granting rights or permitting such holder or any other person to manufacture, use or sell any product, process or design, patented or otherwise, that may in any way be related to or disclosed by said drawings, specifications, or other data.

MATERIAL SEE NOTES	DRAWN GOPI M	DATE 12-Oct-12	TITLE 7/16 PANEL MOUNT JACK FOR 0.141" SEMI RIGID CABLE	Amphenol Connex	
	ENGINEER GOPI M	DATE 12-Oct-12			
REFERENCE	APPROVED	DATE			
CAD FILE	DWG SIZE B	DRAWING NO. 272100-11	SCALE: 2.3:1	SHEET 1 OF 1	REV A