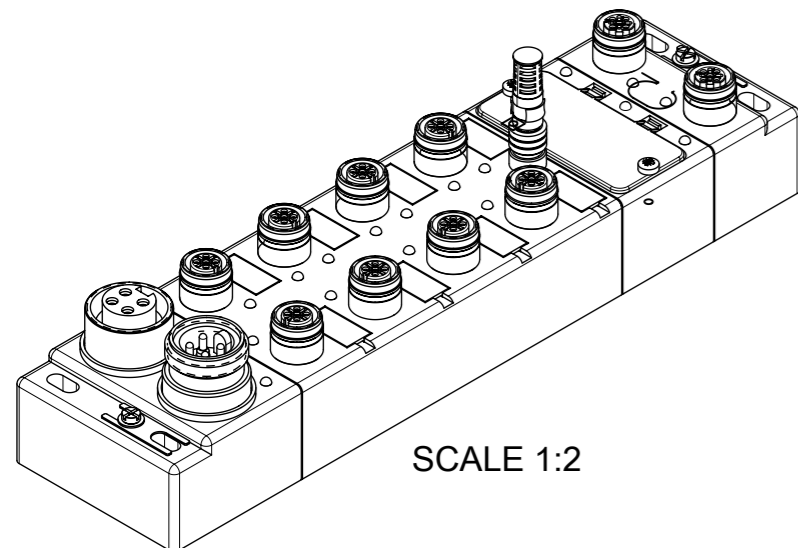


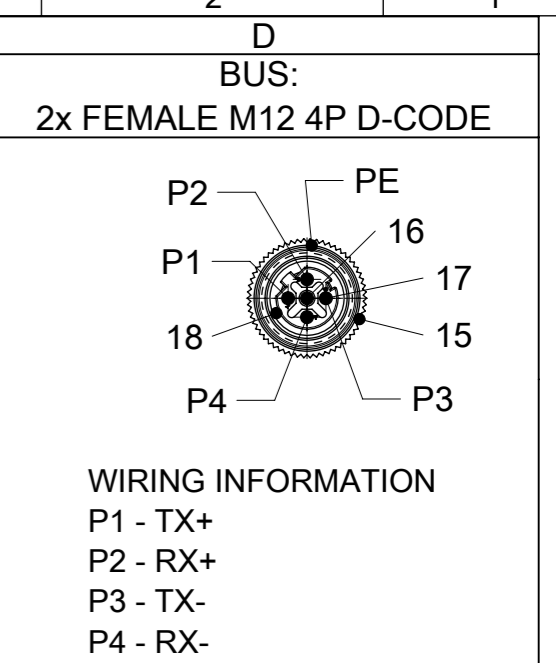
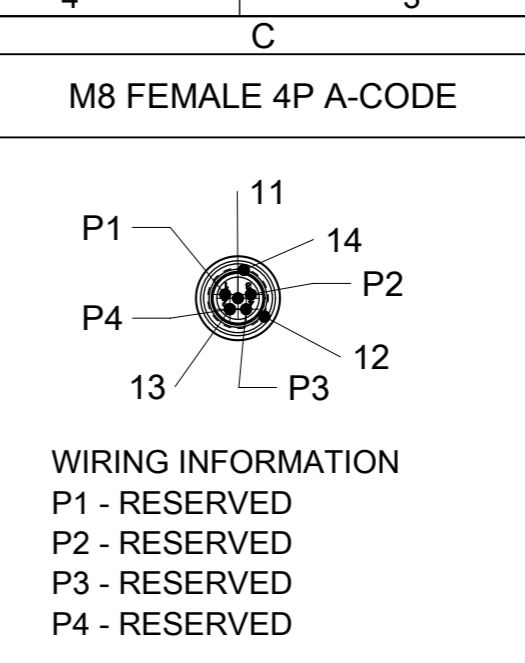
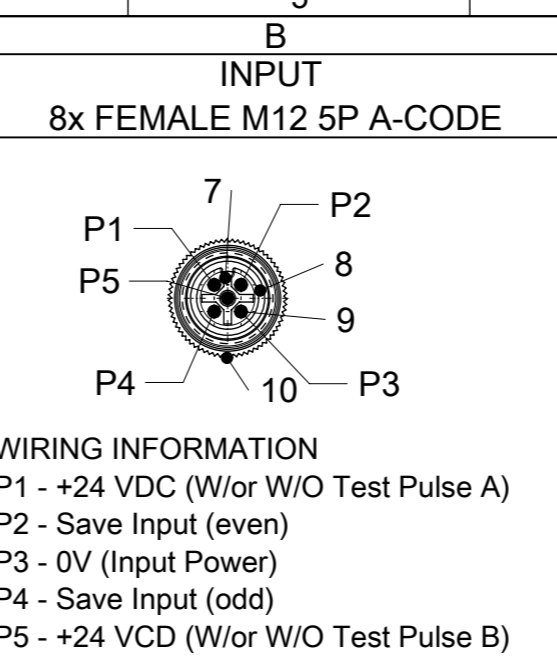
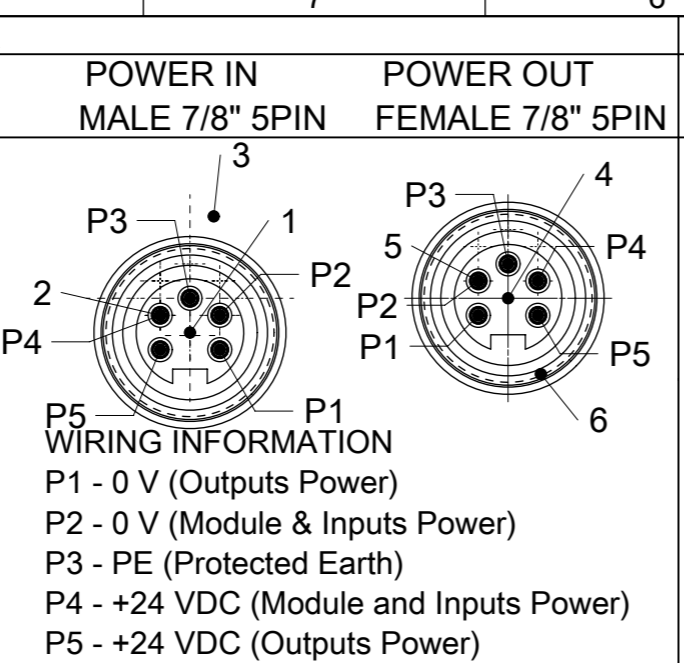
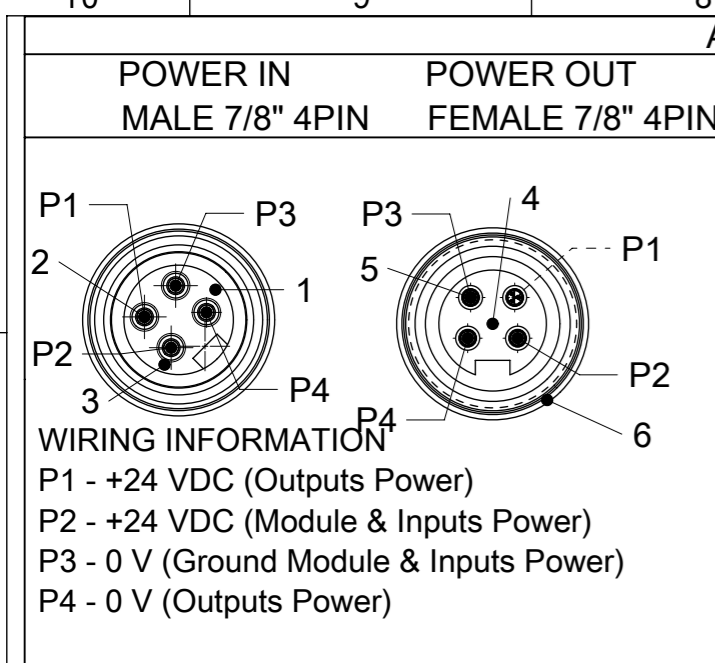
FIXING HOLES
SUITABLE FOR M5
SCREWS

FIXING HOLES
SUITABLE FOR M5
SCREWS



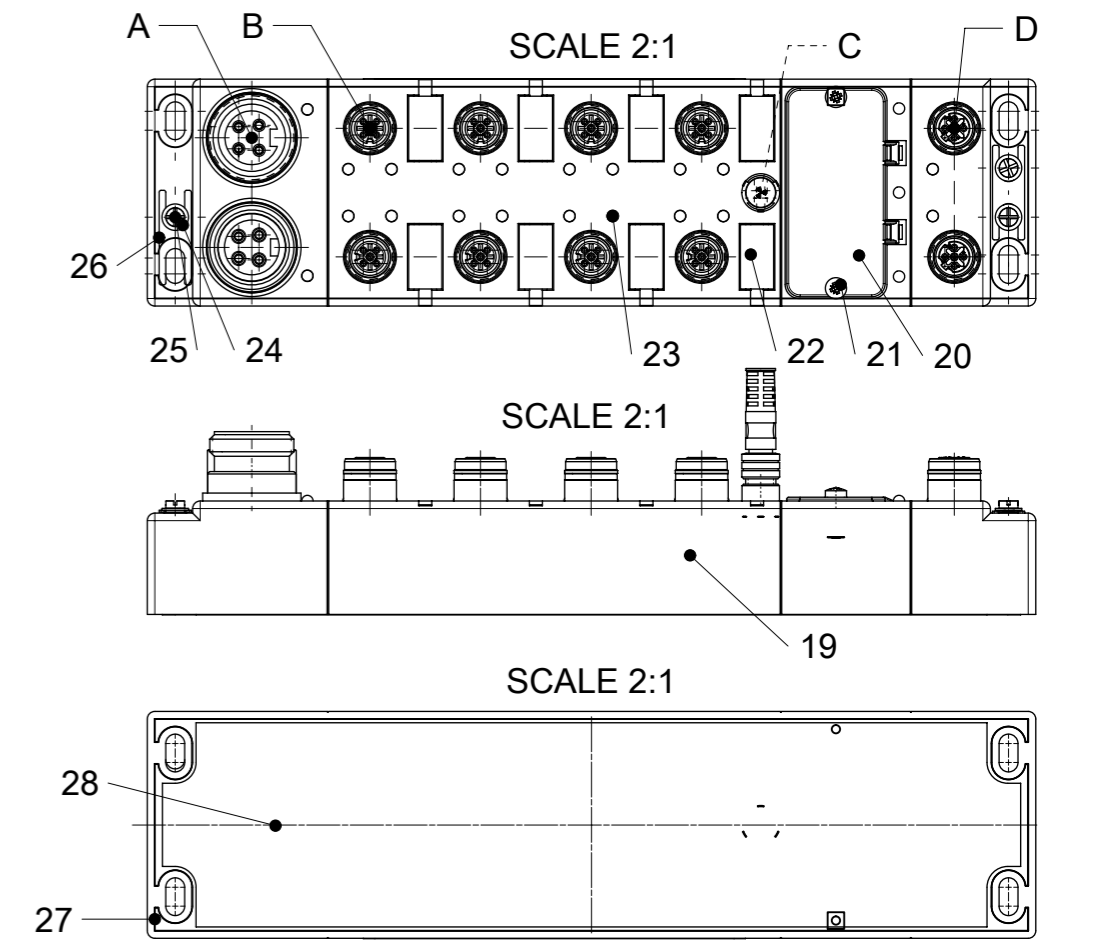
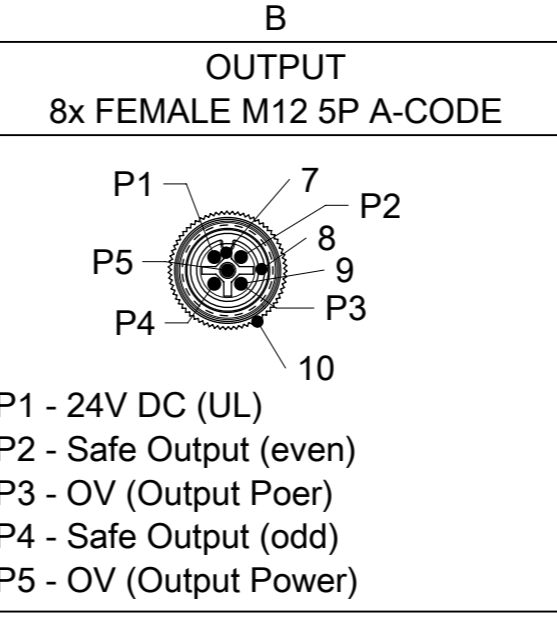
SCALE 1:2

SYMBOLS	THIS DRAWING CONTAINS INFORMATION THAT IS PROPRIETARY TO MOLEX ELECTRONIC TECHNOLOGIES, LLC AND SHOULD NOT BE USED WITHOUT WRITTEN PERMISSION		CURRENT REV DESC:		molex		
	DIMENSION UNITS	SCALE					
$\nabla = 0$	mm		EC NO: 616956		DBO HARSH IO SAFETY 60/30 MM 7/8" 4P AC		
$\nabla = 0$	GENERAL TOLERANCES (UNLESS SPECIFIED)		DRWN: ULETTENMEIER 2019/03/07		MA FE U12 5P 8PT AC FE U12 4P 2PT BC FE		
$\nabla = 0$	ANGULAR TOL \pm		CHK'D: RSILLER 2019/05/10		PRODUCT CUSTOMER DRAWING		
$\nabla = 0$	4 PLACES \pm		APPR: RSILLER 2019/05/10		DOCUMENT NUMBER		
$\nabla = 0$	3 PLACES \pm		INITIAL REVISION:		1120955087		
$\nabla = 0$	2 PLACES \pm		DRWN: ULETTENMEIER 2015/02/09		DOC TYPE		
$\nabla = 0$	1 PLACE \pm		APPR: RSILLER 2015/11/13		PSD		
$\nabla = 0$	0 PLACES ± 0.1				DOC PART		
$\square = 0$	DRAFT WHERE APPLICABLE MUST REMAIN WITHIN DIMENSIONS		THIRD ANGLE PROJECTION		REVISION		
$\nabla = 0$			DRAWING		B1		
			SERIES		MATERIAL NUMBER		
			A3-SIZE		CUSTOMER		
			112095		GENERAL MARKET		
					SHEET NUMBER		
					1 OF 3		



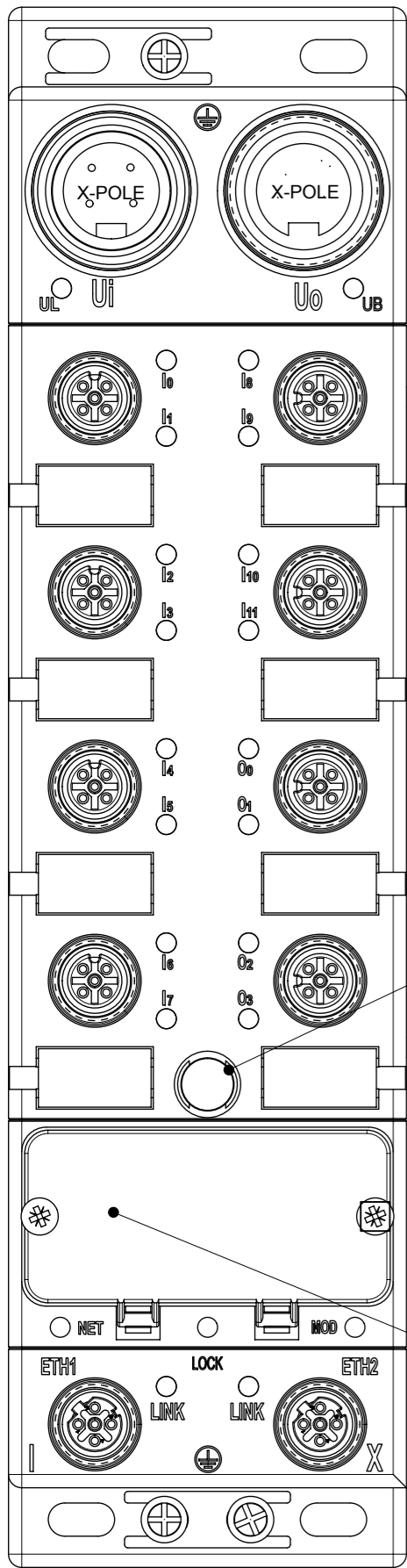
BILL OF MATERIAL

ITEM	DESCRIPTION	MATERIAL	FINISH
1	INSERT	TPE	YELLOW
2	CONTACT	COPPER ALLOY	GOLD OVER NICKEL
3	SHELL	BRASS	NICKEL PLATET
4	INSERT	TPE	YELLOW
5	CONTACT	COPPER ALLOY	GOLD OVER NICKEL
6	SHELL	BRASS	NICKEL PLATET
7	INSERT	TPU	BLACK
8	GASKET	FPM	RED
9	CONTACT	COPPER ALLOY	GOLD OVER NICKEL
10	SHELL	BRASS	NICKEL PLATET
11	INSERT	TPU	BLACK
12	SHELL	BRASS	NICKEL PLATET
13	CONTACT	COPPER ALLOY	GOLD OVER NICKEL
14	GASKET	FPM	RED
15	SHELL	BRASS	NICKEL PLATET
16	INSERT	TPU	BLACK
17	CONTACT	COPPER ALLOY	GOLD OVER NICKEL
18	GASKET	FPM	RED
19	HOUSING	PBT	RED
20	WINDOW	PC	TRANSPARENT
21	SCREW	V2A	V2A
22	LABEL	PC	WHITE
23	FIBER OPTIC	PA	TRANSPARENT
24	WASHER	BRASS	NICKEL PLATET
25	SCREW	V2A	V2A
26	SHIELD PLATE	STAINLESS STEEL	STAINLESS STEEL
27	RESIN	EPOXY	TRANSPARENT
28	LABEL	PVC	WHITE



SYMBOLS DIMENSION UNITS: mm SCALE: GENERAL TOLERANCES (UNLESS SPECIFIED) ANGULAR TOL: ± ° 4 PLACES: ± 3 PLACES: ± 2 PLACES: ± 1 PLACE: ± 0 PLACES: ± 0.1 DRAFT WHERE APPLICABLE MUST REMAIN WITHIN DIMENSIONS	THIS DRAWING CONTAINS INFORMATION THAT IS PROPRIETARY TO MOLEX ELECTRONIC TECHNOLOGIES, LLC AND SHOULD NOT BE USED WITHOUT WRITTEN PERMISSION		CURRENT REV DESC: EC NO: 616956 DRWN: ULETTENMEIER 2019/03/07 CHK'D: RSILLER 2019/05/10 APPR: RSILLER 2019/05/10			
	PRODUCT CUSTOMER DRAWING		DBO HARSH IO SAFETY 60/30 MM 7/8" 4P AC MA FE U12 5P 8PT AC FE U12 4P 2PT BC FE			
	INITIAL REVISION: DRWN: ULETTENMEIER 2015/02/09 APPR: RSILLER 2015/11/13		DOCUMENT NUMBER 1120955087	DOC TYPE PSD	DOC PART 000	REVISION B1
	THIRD ANGLE PROJECTION	DRAWING A3-SIZE	SERIES 112095	MATERIAL NUMBER	CUSTOMER GENERAL MARKET	SHEET NUMBER 2 OF 3

10 9 8 7 6 5 4 3 2 1

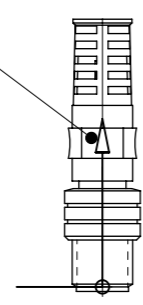


12 IN / 4 OUT IN PRINTING

TABLE 1 12 IN / 4 OUT PRINTING					
HARSH SAFETY I/O					3D MODEL NO.
POWER TYPE	KEY TYPE	INPUT/OUTPUT		ENG. NO	
7/8" 5 POLE	M8 KEY	12 IN	4 OUT	TCDEC-8B4P-D1U-G8	1120955129
7/8" 5 POLE	M8 KEY	12 IN	2 BIPOLAR OUT	TCDEC-8B4B-D1U-G8	1120955130
7/8" 5 POLE	WINDOW KEY	12 IN	4 OUT	TCDEC-8B4P-D1U-GW	1120955111
7/8" 5 POLE	WINDOW KEY	12 IN	2 BIPOLAR OUT	TCDEC-8B4B-D1U-GW	1120955112
7/8" 4 POLE	M8 KEY	12 IN	4 OUT	TCDEC-8B4P-DYU-G8	1120955127
7/8" 4 POLE	M8 KEY	12 IN	2 BIPOLAR OUT	TCDEC-8B4B-DYU-G8	1120955128
7/8" 4 POLE	WINDOW KEY	12 IN	4 OUT	TCDEC-8B4P-DYU-GW	1120955107
7/8" 4 POLE	WINDOW KEY	12 IN	2 BIPOLAR OUT	TCDEC-8B4B-DYU-GW	1120955108

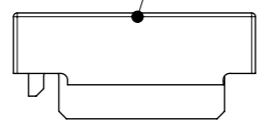
1120955091 (PDM)
1120955087 (PDM)

M8 KEY SEE TABLE 1



SCALE 1:1

WINDOW KEY SEE TABLE 1



SCALE 2:1

SYMBOLS ▽ = 0 ▽ = 0 ▽ = 0 ▽ = 0 ▽ = 0 ▽ = 0 ▽ = 0 ▽ = 0 ▽ = 0 ▽ = 0 ▽ = 0	THIS DRAWING CONTAINS INFORMATION THAT IS PROPRIETARY TO MOLEX ELECTRONIC TECHNOLOGIES, LLC AND SHOULD NOT BE USED WITHOUT WRITTEN PERMISSION	SCALE	CURRENT REV DESC:		
	DIMENSION UNITS	mm	EC NO: 616956		
GENERAL TOLERANCES (UNLESS SPECIFIED)	ANGULAR TOL ± °		DRWN: ULETTENMEIER 2019/03/07		DBO HARSH IO SAFETY 60/30 MM 7/8" 4P AC MA FE U12 5P 8PT AC FE U12 4P 2PT BC FE
4 PLACES ±	3 PLACES ±		CHK'D: RSILLER 2019/05/10		
2 PLACES ±	1 PLACE ±		APPR: RSILLER 2019/05/10		PRODUCT CUSTOMER DRAWING
0 PLACES ± 0.1	DRAFT WHERE APPLICABLE MUST REMAIN WITHIN DIMENSIONS		INITIAL REVISION:		
	THIRD ANGLE PROJECTION	DRAWING	SERIES	MATERIAL NUMBER	CUSTOMER
		A3-SIZE	112095	1120955087	GENERAL MARKET
				DOC TYPE	DOC PART
				PSD	000
				REVISION	B1
					SHEET NUMBER
					3 OF 3

10 9 8 7 6 5 4 3 2 1