

Open Type Trimmer

Model 38



Features:

- 10 mm single turn
- Dust proof
- Carbon element
- Low TCR
- RoHS compliant



Model Styles Available

| | |
|-------------|-----|
| Top Adjust | 38P |
| Side Adjust | 38W |

Electrical

| | |
|---------------------------------------|--|
| Resistance Range | 100 to 1,000,000 Ohms |
| Standard Resistance Tolerance | ± 30%, (±20% and ±10% available) |
| Input Voltage, Maximum | 200 Vdc |
| Power rating, Watts | Linear :0.15W, others : 0.07W, at 50°C |
| End Resistance, Maximum | 2 ohms or 0.5% whichever is greater |
| Actual Electrical Travel | 220° ±20° |
| Insulation Resistance, Minimum | 100 Megohms |
| Resolution | Essentially infinite |
| Contact Resistance Variation | 5% Max. |
| Temperature Coefficient of Resistance | ±500 ppm/°C |

Mechanical

| | |
|-----------------|--------------|
| Torque, Maximum | 1.5 in - oz. |
| Wiper Position | Approx. 50% |

General Note
TT Electronics reserves the right to make changes in product specification without notice or liability. All information is subject to TT Electronics' own data and is considered accurate at time of going to print.

© TT electronics plc

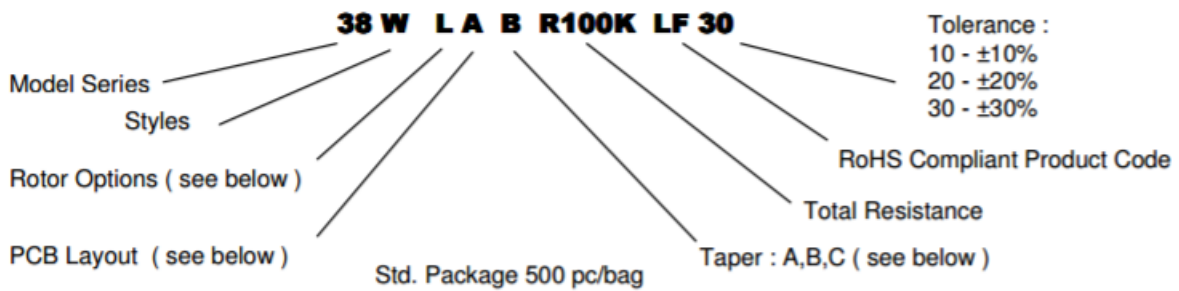
TT Electronics | BI Technologies
413 Rood RD, Suite 7
Calexico, CA 92231
Ph: + 1 (714) 447-2345
www.ttelectronics.com/bi-technologies

Issue B 04/2019 Page 1

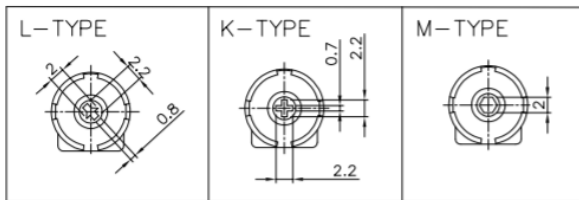
Environmental

| | |
|-----------------------------------|------------------|
| Operating Temperature Range | -25°C to +70°C |
| Rotational Life, 500 Cycles | ±3% ΔR |
| Load Life, 0.15W, 100 Hours, 50°C | ±5% ΔR |
| Resistance to Solder Heat | 260°C for 3 sec. |
| Aqueous cleaning not recommended | |

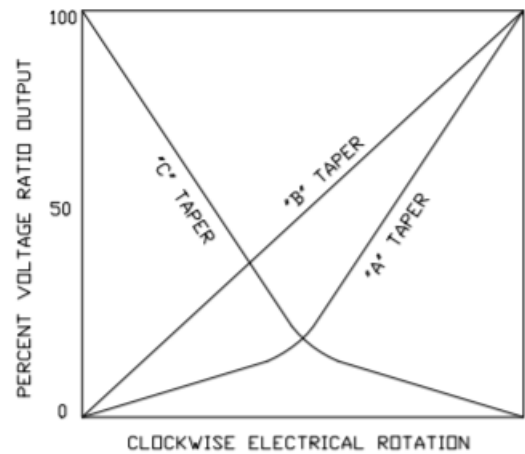
Ordering Information



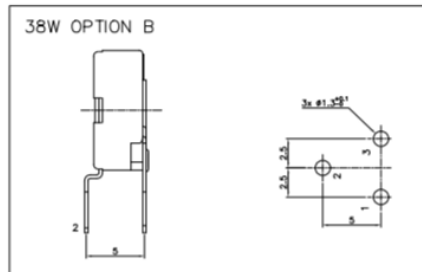
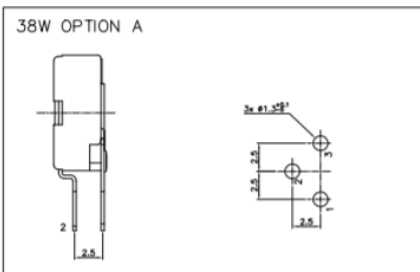
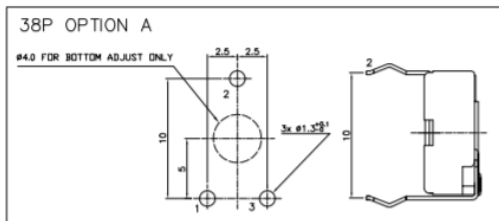
Rotor Options



Taper Options



PCB Layout Options



General Note
 TT Electronics reserves the right to make changes in product specification without notice or liability. All information is subject to TT Electronics' own data and is considered accurate at time of going to print.

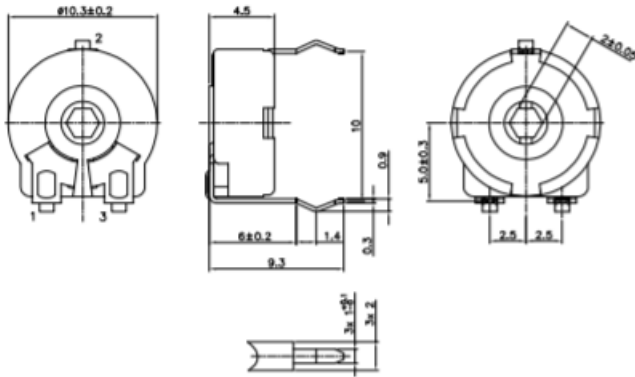
Open Type Trimmer

Model 38

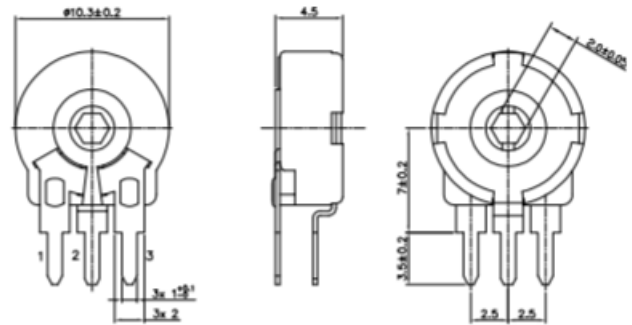


Outline Drawings

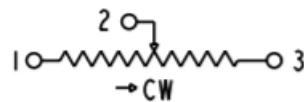
Model 38P (Top Adjust)



Model 38W (Side Adjust)



Circuit Diagram



Standard Resistance Values, Ohms

| | | | | | | | | | | | |
|-----|-----|----|----|----|-----|-----|-----|------|------|------|------|
| 100 | 500 | 1K | 2K | 5K | 10K | 20K | 50K | 100K | 200K | 500K | 1MEG |
|-----|-----|----|----|----|-----|-----|-----|------|------|------|------|

General Note

TT Electronics reserves the right to make changes in product specification without notice or liability. All information is subject to TT Electronics' own data and is considered accurate at time of going to print.

© TT electronics plc

TT Electronics | BI Technologies
 413 Rood RD, Suite 7
 Calexico, CA 92231
 Ph: + 1 (714) 447-2345
www.ttelectronics.com/bi-technologies

Issue B 04/2019 Page 3