

HCK. Oil level indicators

suitable for oil and glycol-based solutions



- 1
- 2
- 3
- 4
- 5
- 6
- 7
- 8
- 9
- 10
- 11
- 12
- 13
- 14
- 15
- 16
- 17
- 18

ASSEMBLY ENDS

Glass-fibre reinforced polyamide based (PA) technopolymer, black colour.

SUPPORT

Aluminium in natural colour.

GRADUATED CONTRAST SCREEN

White lacquered aluminium. It can be taken out before assembly to allow the insertion of level lines or words.

STANDARD EXECUTIONS

See configuration table.

FEATURES AND PERFORMANCES

Maximum fluid level visibility even from side positions.

TECHNICAL DATA

In laboratory tests carried out for a relatively limited time with the following liquids at a temperature of 23° C: mineral oil type CB68 (according to ISO 3498) for HCK, mineral oil type CB68 (according to ISO 3498) water or water/glycol-based solutions (50%) for HCK-GL, the resistance values were much higher than 35 bar.

Maximum continuous working temperature:

- HCK: 100°C (with oil).
- HCK-GL: 100°C (with oil, water, glycol-based solutions).
- HCK-GL-SST: 130°C (with oil, water, glycol-based solutions). In laboratory tests these indicators showed an excellent resistance to temperatures up to 150/160°C for many hours with pressures of 5/6 bar.

For use with other fluids and under different pressure and temperature conditions, please contact ELESA Technical Department.

In any case we suggest to verify the suitability of the product under the actual working conditions.

SPECIAL EXECUTIONS ON REQUEST

- Column level window in transparent methylmethacrylate (PMMA) for max 70°C use.
- Polyamide based technopolymer float (from HCK.127) red colour.
- NBR float (from HCK.176) black colour with AISI 316 stainless steel spiral for special executions, viscous liquids, high temperatures.
- Indicators with level visibility (e) up to 1444 mm and fixing holes with hole centre distance (f) up to 1.500 mm.
- Packing rings in special material depending on the customer's needs.
- Built-in thermometer with red indication line (from HCK.127).
- External scale thermometer (Fig. 1) with probe in direct contact with the fluid.
- Special screw with nickel-plated brass tap (Fig. 3) to be fitted to the lower assembly end for any maintenance operation requiring the indicator exclusion.

ACCESSORIES ON REQUEST (TO BE ORDERED SEPARATELY)

SLCK electric level sensor (Fig.2, from HCK.127) can be fitted, as needed, along the axis of the indicator with right (DX) or left (SX) connectors, normally closed (NC) or normally open (NO) contacts.



ELESA Original design

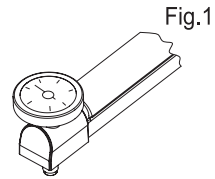


Fig.1

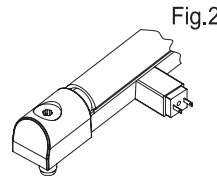


Fig.2

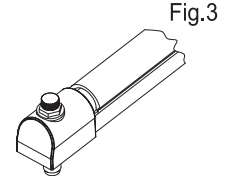
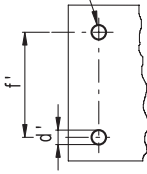


Fig.3

Drilling template
Holes without burrs and chamfer



Conversion Table 1 mm = 0.039 inch	
mm	inch
76	2.99
127	5.00
176	6.93
254	10.00
381	15.00
508	20.00

METRIC

f	d	L	l1	e	d'-0.2	f'	C# [Nm]	⚖️
76	M10	113	35.5	42	10.5	76 ±0.2	12	183
127	M12	164	46.5	71	12.5	127 ±0.5	12	220
176	M12	213	46.5	120	12.5	176 ±0.5	12	250
254	M12	291	46.5	198	12.5	254 ±0.5	12	298
381	M12	418	46.5	325	12.5	381 ±0.5	12	377
508	M12	545	46.5	452	12.5	508 ±0.5	12	455

Maximum tightening torque.

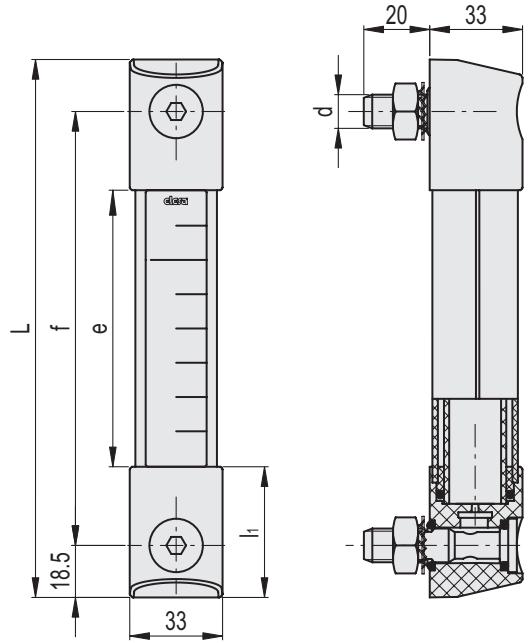
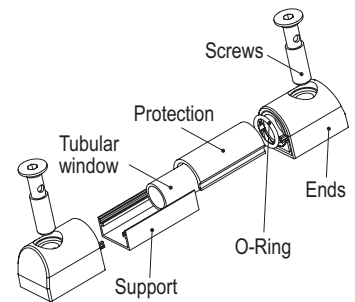


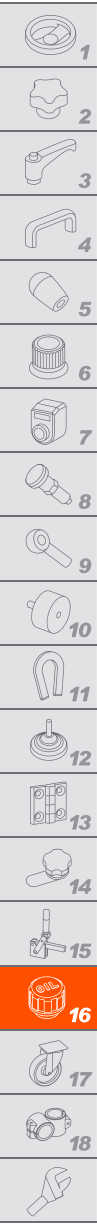
TABLE FOR THE CONFIGURATION OF THE STANDARD EXECUTIONS

HCK.	-	76	-	ZN	-	M10	-	NBR	-	PC	-	P
		①		②		③		④		⑤		⑥
① Hole centre distance (f)		76						76 mm				
		127						127 mm				
		176						176 mm				
		254						254 mm				
		381						381 mm				
		508						508 mm				
② Screws, nuts and washers		ZN		Zinc-plated steel.								
		SST		AISI 303 stainless steel screws, AISI 304 stainless steel nuts and washers.								
		SST316		AISI 316 stainless steel.								
③ Screws thread		M10		M10 (for execution 76 paragraph 1).								
		M12		M12 (for executions from 127 to 508 paragraph 1).								
④ Packing rings		NBR		NBR synthetic rubber O-Ring for use with maximum continuous working temperature 100°C.								
		FKM		FKM synthetic rubber O-Ring type VITON® for use with maximum continuous working temperature 130°C.								
⑤ Level tubular window		PC		Polycarbonate transparent tube for use with oil.								
		GL		Borosilicate glass transparent tube for use with oil, water or water/glycol-based solutions (50%), supplied with front protection (P) paragraph 6.								
⑥ Transparent front protection		P		Polycarbonate (PC). Removable for cleaning operations.								
		NP		Without protection (for execution PC paragraph 5).								



Accessories for hydraulic systems

VITON® Registered trademark by DuPont Dow Elastomers.



* See table for the configuration of the standard executions.

HCK-ZN-PC-P		HCK-ZN-GL-P		HCK-ZN-PC-NP	
Code	Description*	Code	Description*	Code	Description*
-	-	111004	HCK.76-ZN-M10-NBR-GL-P	-	-
111011	HCK.127-ZN-M12-NBR-PC-P	111014	HCK.127-ZN-M12-NBR-GL-P	111011-NP	HCK.127-ZN-M12-NBR-PC-NP
111021	HCK.176-ZN-M12-NBR-PC-P	111024	HCK.176-ZN-M12-NBR-GL-P	111021-NP	HCK.176-ZN-M12-NBR-PC-NP
111031	HCK.254-ZN-M12-NBR-PC-P	111034	HCK.254-ZN-M12-NBR-GL-P	111031-NP	HCK.254-ZN-M12-NBR-PC-NP
111041	HCK.381-ZN-M12-NBR-PC-P	111044	HCK.381-ZN-M12-NBR-GL-P	111041-NP	HCK.381-ZN-M12-NBR-PC-NP
111051	HCK.508-ZN-M12-NBR-PC-P	111054	HCK.508-ZN-M12-NBR-GL-P	111051-NP	HCK.508-ZN-M12-NBR-PC-NP
-	-	112029	HCK.76-ZN-M10-FKM-GL-P	-	-
113131	HCK.127-ZN-M12-FKM-PC-P	113175	HCK.127-ZN-M12-FKM-GL-P	113131-NP	HCK.127-ZN-M12-FKM-PC-NP
114131	HCK.176-ZN-M12-FKM-PC-P	114175	HCK.176-ZN-M12-FKM-GL-P	114131-NP	HCK.176-ZN-M12-FKM-PC-NP
116231	HCK.254-ZN-M12-FKM-PC-P	116275	HCK.254-ZN-M12-FKM-GL-P	116231-NP	HCK.254-ZN-M12-FKM-PC-NP
117141	HCK.381-ZN-M12-FKM-PC-P	117185	HCK.381-ZN-M12-FKM-GL-P	117141-NP	HCK.381-ZN-M12-FKM-PC-NP
118051	HCK.508-ZN-M12-FKM-PC-P	118095	HCK.508-ZN-M12-FKM-GL-P	118051-NP	HCK.508-ZN-M12-FKM-PC-NP

HCK-SST-PC-P		HCK-SST-GL-P		HCK-SST-PC-NP	
Code	Descrizione*	Code	Descrizione*	Code	Description*
-	-	112059	HCK.76-SST-M10-NBR-GL-P	-	-
113301	HCK.127-SST-M12-NBR-PC-P	113345	HCK.127-SST-M12-NBR-GL-P	113301-NP	HCK.127-SST-M12-NBR-PC-NP
114271	HCK.176-SST-M12-NBR-PC-P	114315	HCK.176-SST-M12-NBR-GL-P	114271-NP	HCK.176-SST-M12-NBR-PC-NP
116381	HCK.254-SST-M12-NBR-PC-P	116425	HCK.254-SST-M12-NBR-GL-P	116381-NP	HCK.254-SST-M12-NBR-PC-NP
117291	HCK.381-SST-M12-NBR-PC-P	117335	HCK.381-SST-M12-NBR-GL-P	117291-NP	HCK.381-SST-M12-NBR-PC-NP
118201	HCK.508-SST-M12-NBR-PC-P	118245	HCK.508-SST-M12-NBR-GL-P	118201-NP	HCK.508-SST-M12-NBR-PC-NP
-	-	111005	HCK.76-SST-M10-FKM-GL-P	-	-
113433	HCK.127-SST-M12-FKM-PC-P	111015	HCK.127-SST-M12-FKM-GL-P	113433-NP	HCK.127-SST-M12-FKM-PC-NP
114411	HCK.176-SST-M12-FKM-PC-P	111025	HCK.176-SST-M12-FKM-GL-P	114411-NP	HCK.176-SST-M12-FKM-PC-NP
116521	HCK.254-SST-M12-FKM-PC-P	111035	HCK.254-SST-M12-FKM-GL-P	116521-NP	HCK.254-SST-M12-FKM-PC-NP
117431	HCK.381-SST-M12-FKM-PC-P	111045	HCK.381-SST-M12-FKM-GL-P	117431-NP	HCK.381-SST-M12-FKM-PC-NP
118341	HCK.508-SST-M12-FKM-PC-P	111055	HCK.508-SST-M12-FKM-GL-P	118341-NP	HCK.508-SST-M12-FKM-PC-NP

HCK-SST316-PC-P		HCK-SST316-GL-P		HCK-SST316-PC-NP	
Code	Description*	Code	Description*	Code	Description*
-	-	112060	HCK.76-SST316-M10-NBR-GL-P	-	-
113601	HCK.127-SST316-M12-NBR-PC-P	113645	HCK.127-SST316-M12-NBR-GL-P	113601-NP	HCK.127-SST316-M12-NBR-PC-NP
114571	HCK.176-SST316-M12-NBR-PC-P	114615	HCK.176-SST316-M12-NBR-GL-P	114571-NP	HCK.176-SST316-M12-NBR-PC-NP
116681	HCK.254-SST316-M12-NBR-PC-P	116725	HCK.254-SST316-M12-NBR-GL-P	116671-NP	HCK.254-SST316-M12-NBR-PC-NP
117591	HCK.381-SST316-M12-NBR-PC-P	117635	HCK.381-SST316-M12-NBR-GL-P	117591-NP	HCK.381-SST316-M12-NBR-PC-NP
118501	HCK.508-SST316-M12-NBR-PC-P	118545	HCK.508-SST316-M12-NBR-GL-P	118501-NP	HCK.508-SST316-M12-NBR-PC-NP
-	-	111006	HCK.76-SST316-M10-FKM-GL-P	-	-
113733	HCK.127-SST316-M12-FKM-PC-P	111016	HCK.127-SST316-M12-FKM-GL-P	113733-NP	HCK.127-SST316-M12-FKM-PC-NP
114711	HCK.176-SST316-M12-FKM-PC-P	111026	HCK.176-SST316-M12-FKM-GL-P	114711-NP	HCK.176-SST316-M12-FKM-PC-NP
116821	HCK.254-SST316-M12-FKM-PC-P	111036	HCK.254-SST316-M12-FKM-GL-P	116821-NP	HCK.254-SST316-M12-FKM-PC-NP
117731	HCK.381-SST316-M12-FKM-PC-P	111046	HCK.381-SST316-M12-FKM-GL-P	117731-NP	HCK.381-SST316-M12-FKM-PC-NP
118641	HCK.508-SST316-M12-FKM-PC-P	111056	HCK.508-SST316-M12-FKM-GL-P	118641-NP	HCK.508-SST316-M12-FKM-PC-NP