

NOTES:

1. MATERIALS AND FINISHES:

- BODY & SHELL - STAINLESS STEEL, PASSIVATED
- CONTACT - BeCu, GOLD PLATING
- INSULATOR - PTFE, NATURAL
- GASKET - SILICONE RUBBER, RED
- RETAINER RING - SUS303, NATURAL

2. ELECTRICAL:

- A. IMPEDANCE: 50 OHM
- B. FREQUENCY RANGE: DC - 6 GHz
- C. AVERAGE INPUT POWER: 2W MAX AT +25°C  
DERATED LINEARLY TO 0.5W MAX AT +125°C
- D. ATTENUATION: XX dB ± (SEE TABLE 2D)  
[FOR ADDITIONAL VALUES, CONSULT FACTORY]
- E. VSWR: (SEE TABLE 2E)

3. MECHANICAL:

- A. MATING ENGAGEMENT: MIL-STD-348A, SERIES SMA
- B. ENGAGE/DISENGAGE FORCE: 2 IN-LBS MAX
- C. MATING TORQUE: 8 IN-LBS MAX
- D. COUPLING PROOF TORQUE: 15 IN-LBS MIN
- E. COUPLING NUT RETENTION: 60 LBS MIN
- F. DURABILITY: 500 CYCLES MIN.

dB	DC-4 GHz	4-6 GHz
1-3	±0.3	±0.5
4-6	±0.4	±0.5
7-10	±0.5	±0.5

TABLE 2D  
ATTENUATION  
ACCURACY

dB	DC-2.5 GHz	2.5-4 GHz	4-6 GHz
1-3	1.15:1	1.20:1	1.25:1
4-6	1.15:1	1.20:1	1.25:1
7-10	1.15:1	1.25:1	1.30:1

TABLE 2E  
VSWR MAX.

PART NUMBER	ATTENUATION VALUE [dB]
ATS-IMIF-01DB2W	01
ATS-IMIF-02DB2W	02
ATS-IMIF-03DB2W	03
ATS-IMIF-04DB2W	04
ATS-IMIF-05DB2W	05
ATS-IMIF-06DB2W	06
ATS-IMIF-07DB2W	07
ATS-IMIF-08DB2W	08
ATS-IMIF-09DB2W	09
ATS-IMIF-10DB2W	10

TABLE 5B  
PART NUMBER  
IDENTIFICATION

4. ENVIRONMENTAL:

- A. OPERATING TEMPERATURE: -55°C TO +125°C
- B. THERMAL SHOCK: MIL-STD-202, METHOD 107, CONDITION B (EXCEPT HIGH TEMP +100°C)
- C. SHOCK: MIL-STD-202, METHOD 213, CONDITION I
- D. VIBRATION: MIL-STD-202, METHOD 204, CONDITION ID

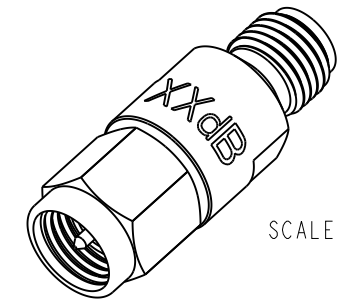
5. PACKAGING:

- A. QUANTITY: SINGLE PACK
- B. BAG TO BE MARKED: AMPHENOL RF  
PART NUMBER (SEE TABLE 5B)  
DATE CODE

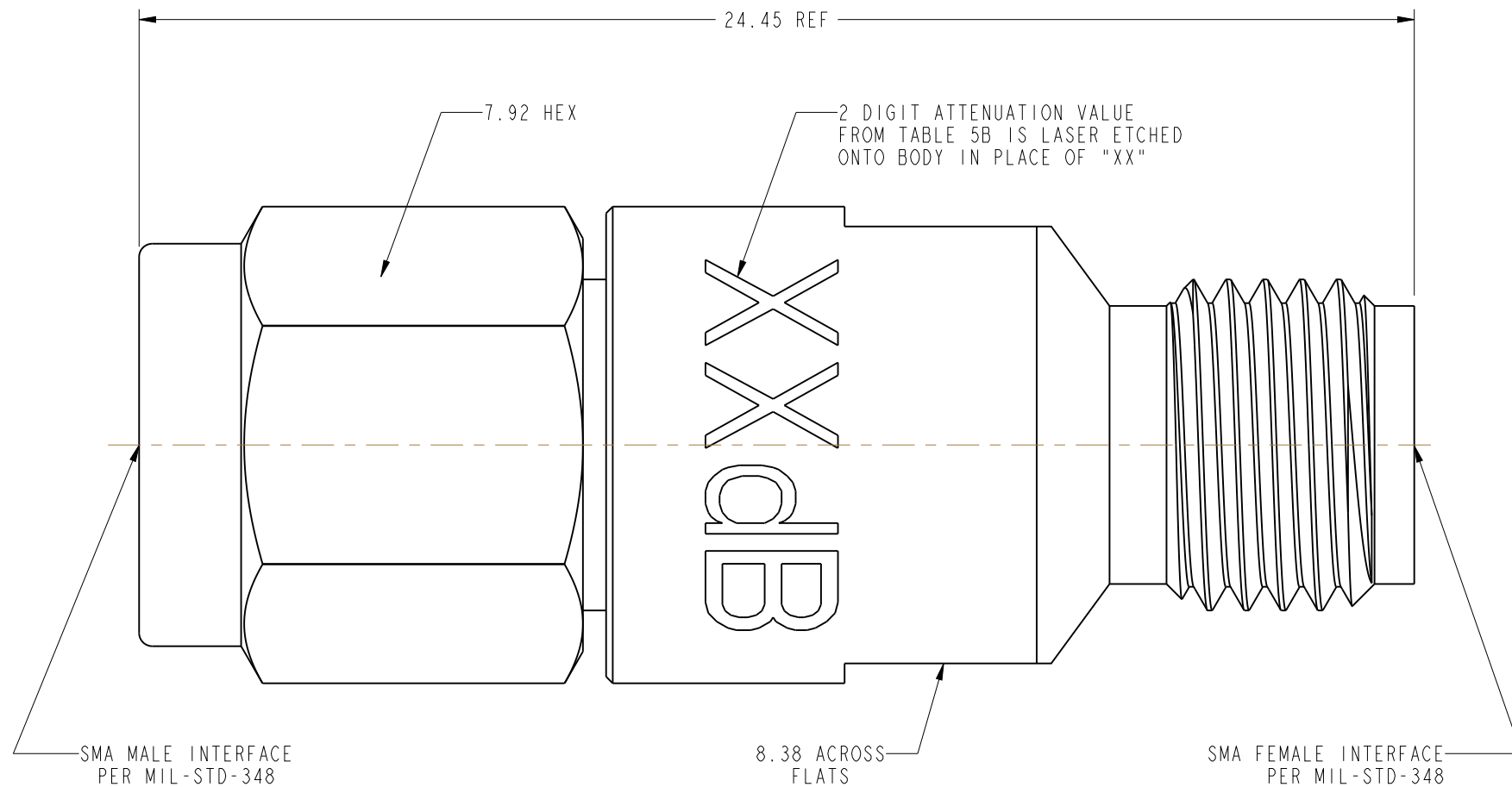
THIRD ANGLE PROJ.

REVISIONS

REV	DESCRIPTION	DATE	ECO	APPR
A	RELEASE TO MFG.	12/15/14	50303	CL/BCG
B	ADDED PART NUMBER TABLE 5B	6/3/15	50413	JN



SCALE 2.000



**CUSTOMER OUTLINE DRAWING**

ALL OTHER SHEETS ARE FOR INTERNAL USE ONLY

UNLESS OTHERWISE SPECIFIED, DIMENSIONS ARE IN METRIC AND TOLERANCES ARE:  
 <0.5mm ±0.05mm    0.5 - 6mm ±0.1mm    6 - 30mm ±0.2mm    30 - 120mm ±0.3mm    ANGLES ±1°

NOTICE - These drawings, specifications, or other data (1) are, and remain the property of Amphenol corp. (2) must be returned upon request; and (3) are confidential and not to be disclosed to any person other than those to whom they are given by Amphenol Corp. the furnishing of these drawings, specifications, or other data by Amphenol Corp., or to any other person to anyone for any purpose is not to be regarded by implication or otherwise in any manner licensing, granting rights to permitting such holder or any other person to manufacture, use or sell any product, process or design, patented or otherwise, that may in any way be related to or disclosed by said drawings, specifications, or other data.

MATERIAL	SEE NOTES
REFERENCE	EAR # 6465
CONFIGURATION LEVEL:	In Work
FINISH	

DRAWN	CLEMENT	DATE	10-Nov-14
ENGINEER	B.GLEISSNER	DATE	10-Nov-14
APPROVED	K. CAPOZZI	DATE	12/11/14
CAD FILE			

TITLE	SMA STR PLUG TO JACK FIXED ATTENUATOR		
SCALE:	8.0:1.0	SHEET	2 OF 2
DWG SIZE	B	REV	B

Amphenol RF www.amphenolrf.com	
DRAWING NO.ATS-IMIF-XXDB2W	
ITEM NO.ATS-IMIF-XXDB2W	
PART NO.ATS-IMIF-XXDB2W	