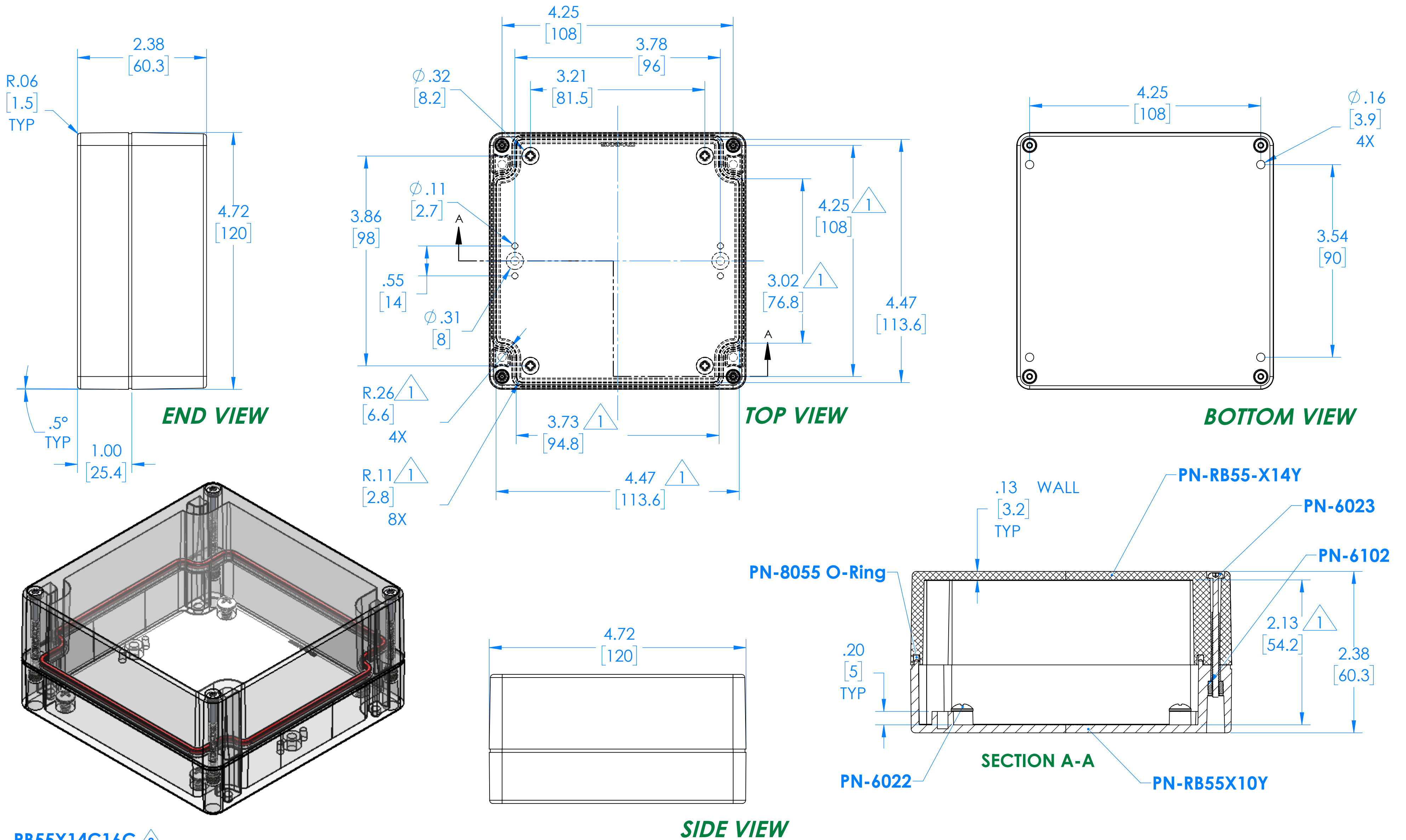


SERPAC RB55X14Y10Y 2

Electronic Enclosures



RB55X14C16C 2
 (Part shown, no material (X) specified)

PN	Description
RB55-X14Y	(1) RB55X14Y, Top
RB55X10Y	(1) RB55X10Y, Bottom
8055	(1) RB55 O-Ring
6023	(4) #4-40 Captive Torx Hd Screw
6022	(4) #10 High/Low Pan Hd x 1/4"
6102	(4) #4-40 Threaded Insert

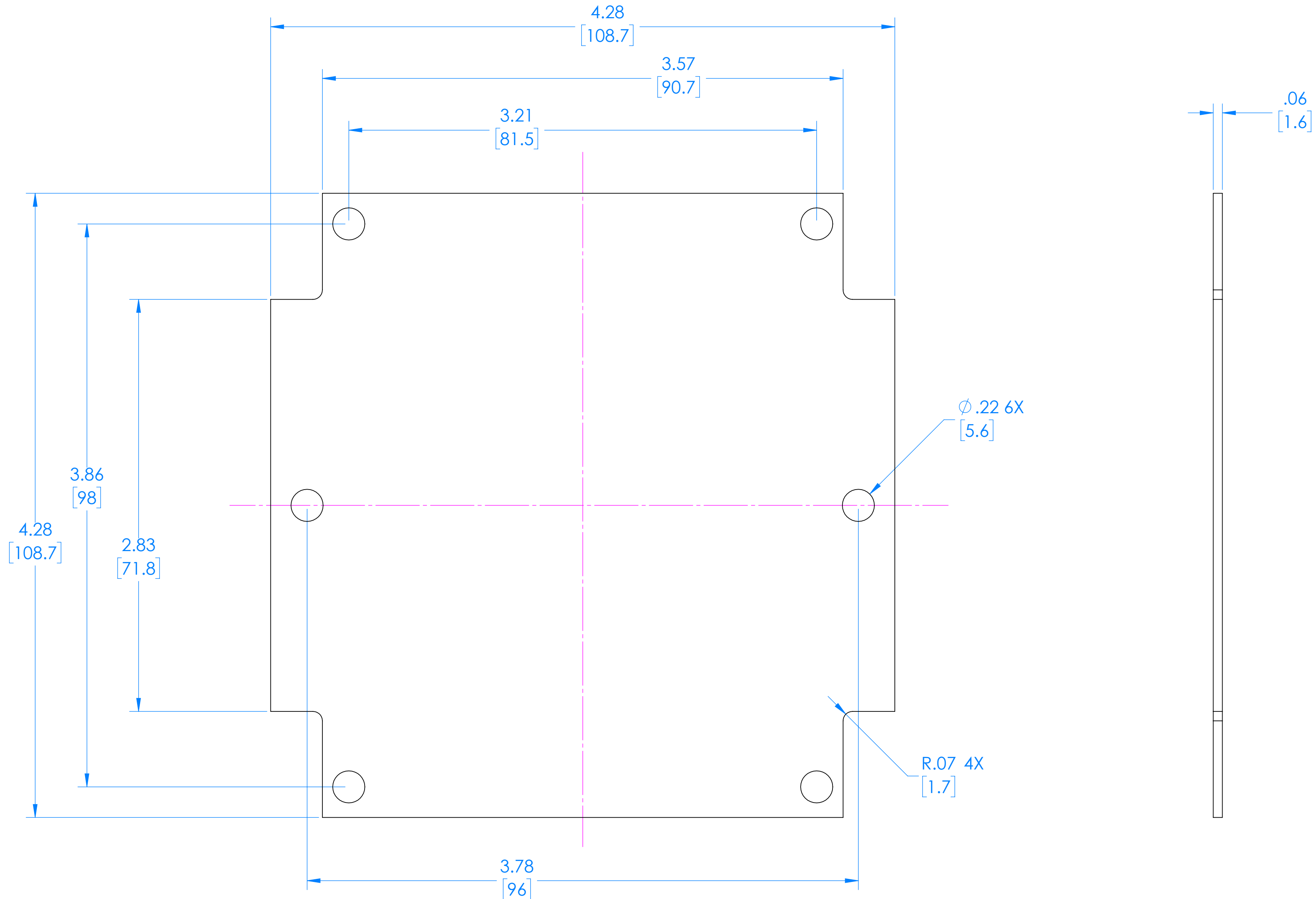
- 1 =INTERIOR DIMENSIONS (@ BOTTOM)
- 2 =STANDARD COLORS (Y) ARE: BLACK (B), CLEAR (C) AND GRAY (G)
 TOPS AND BOTTOMS ALL POSSIBLE COMBINATIONS AVAILABLE
 STANDARD MATERIALS (X) IS: POLYCARBONATE (P)

-Watertight enclosure meets or exceed Nema 4 and or IP67.

Dimensions represent Polycarbonate material.
 Dim's in Inch [mm]

ALL DIMENSIONS ARE ± .010" 6/22/2021
 2009 Wright Street, La Verne, Ca. 91750
 Ph. (626) 331-0517 Fx. (626) 331-8584 serpac.com

RB55 Circuit Board (Fits all Parts starting with RB55)



(REFERENCE ONLY)