

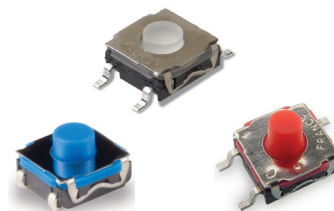
# KSC Series Sealed Tact Switch for SMT

## Features/Benefits

- Positive tactile feeling
- J or G terminations
- Various heights
- IP67

## Typical Applications

- Automotive
- Medical instruments
- Industrial electronics
- Network infrastructure and IT
- Elevator



Tactile Switches

## Specification

FUNCTION: Momentary action  
 CONTACT ARRANGEMENT: 1 make contact = SPST, N.O.  
 TERMINALS: J bend & Gullwing type for SMT  
 SEALING: IP67 except KSC5 (IP50)

## Electrical

|                  | Silver | Gold   |
|------------------|--------|--------|
| MAXIMUM POWER:   | 1 VA   | 0.2 VA |
| MAXIMUM VOLTAGE: | 32 VDC | 32 VDC |
| MINIMUM VOLTAGE: | 20 mV  | 20 mV  |
| MAXIMUM CURRENT: | 50 mA  | 10 mA  |
| MINIMUM CURRENT: | 1 mA*  | 0.1 mA |

## Liability Limitation

This datasheet does not provide enough information for applications that require a certain level of quality or safety such as automotive, medical systems, or safety equipment. Please contact customer service for the contractual specification package.

DIELECTRIC STRENGTH (50 Hz, 1 min.):  $\geq 250$  Vrms  
 CONTACT RESISTANCE:  $\leq 100$  m $\Omega$   
 INSULATION RESISTANCE (100 V):  $\geq 10$  M  $\Omega$   
 BOUNCE TIME:  $\leq 1$  ms

\* Ultra low current with 10  $\mu$ A - 1 VDC version are available upon request for KSC2 and KSC4

## Environmental

|                        | Silver        | Gold           |
|------------------------|---------------|----------------|
| OPERATING TEMPERATURE: | -40°C to 85°C | -40°C to 125°C |
| STORAGE TEMPERATURE:   | -55°C to 85°C | -55°C to 125°C |

## Packaging

Tape and Reel (see series for quantity information)

**NOTE:** Specifications listed above are for switches with standard options.

## Process

SOLDERING: Depending on the application, this component is suited to the following methods:

- Terminals being silver or gold plated over a nickel barrier, the use of slightly activated flux is suitable.
- Soldering on double wave machine for vertical versions: soldering time  $\leq 5$  sec.
- Cleaning according to typical washing processes.
- Lead free reflow soldering process in accordance with IEC 61760-1.

## KSC Product Range

| KSC1             | KSC2          | KSC3          | KSC4          | KSC5          | KSC6          | KSC7          | KSC8          | KSC9                              | KSC10         |
|------------------|---------------|---------------|---------------|---------------|---------------|---------------|---------------|-----------------------------------|---------------|
| Without actuator | Soft actuator | Hard actuator | Soft actuator | Hard actuator | Hard actuator | Soft actuator | Hard actuator | Hard actuator                     | Soft actuator |
| H = 2.5 mm       | H = 3.5 mm    | H = 3.5 mm    | H = 5.2 mm    | H = 5.6 mm    | H = 7.7 mm    | H = 4.3 mm    | H = 4.9 mm    | H = 7.7 mm compatible with button | H = 4.9 mm    |
| IP67             | IP67          | IP67          | IP67          | IP50          | IP67          | IP67          | IP67          | IP67                              | IP67          |



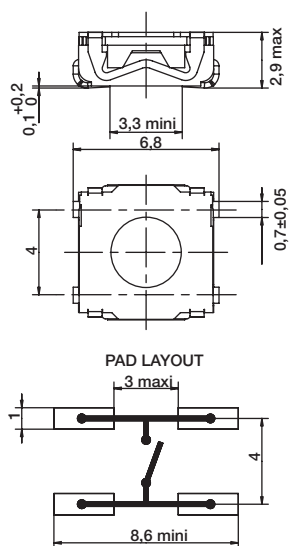
Note: KSC Series is subject to variants. Please contact customer service for other options.

# KSC Series Sealed Tact Switch for SMT

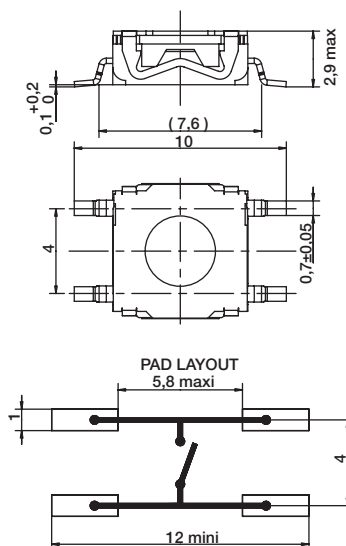
Tactile Switches

B

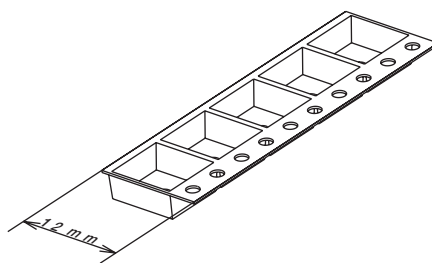
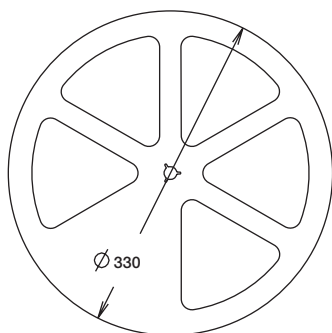
## J BEND



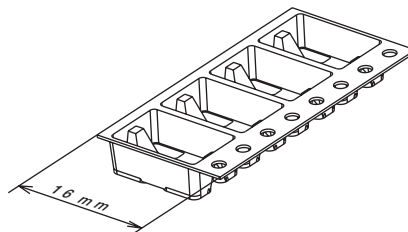
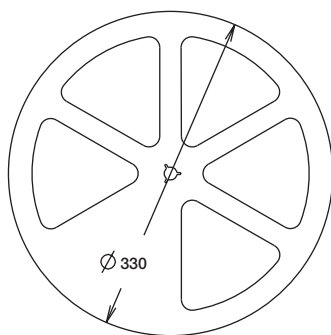
## G GULLWING



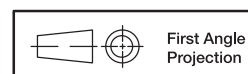
## 12 MM



## 16 MM



| 12 mm | Pieces | 16 mm      | Pieces |
|-------|--------|------------|--------|
| KSC1J | 2,000  | KSC1G      | 2,000  |
| KSC2J | 2,000  | KSC2G      | 2,000  |
| KSC3J | 2,000  | KSC3G      | 2,000  |
|       |        | KSC4J & G  | 1,000  |
|       |        | KSC5J & G  | 1,000  |
|       |        | KSC6J & G  | 750    |
|       |        | KSC7J & G  | 1,000  |
|       |        | KSC8J & G  | 1,000  |
|       |        | KSC9J & G  | 750    |
|       |        | KSC10J & G | 1,000  |



First Angle  
Projection

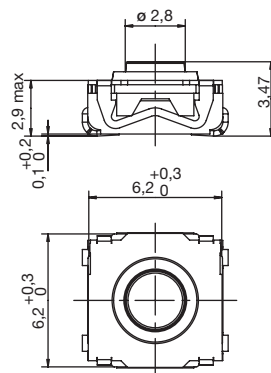
Dimensions are shown: mm  
Specifications and dimensions subject to change

# KSC3 Series Sealed Tact Switch for SMT

## KSC3 hard actuator 3,5 mm high



| Type   | Operating force FA (Newtons) | Operating life (operations) | Travel (mm)    |
|--------|------------------------------|-----------------------------|----------------|
| KSC321 | 2 ± 0.4                      | 300,000                     | 0.2 + 0.3/- 0  |
| KSC341 | 3 ± 0.75                     | 300,000                     | 0.2 + 0.3/- 0  |
| KSC351 | 5 ± 1                        | 100,000                     | 0.25 + 0.3/- 0 |



## Packaging

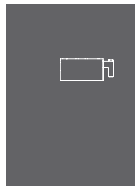
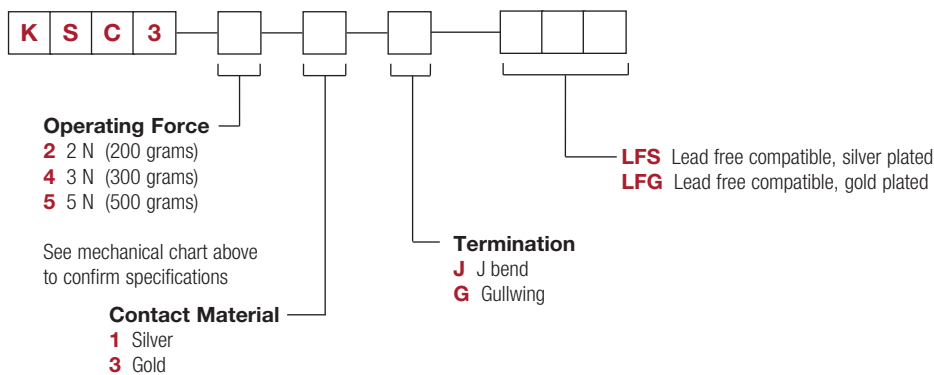
Switches delivered on continuous tape & reels of 2,000 pieces  
 Dimensions according to EIA RS-481/ IEC 60286-3 standard  
 External diameter 330 ± 2 mm

## How To Order

Our easy build-a-switch concept allows you to mix and match options to create the switch you need. To order, select desired option from each category and place it in the appropriate box.

However, please note that all the combinations of these options are not feasible.

For any part number different from those listed above, please consult your local representative.



Tactile Switches



First Angle  
Projection

Dimensions are shown: mm  
 Specifications and dimensions subject to change