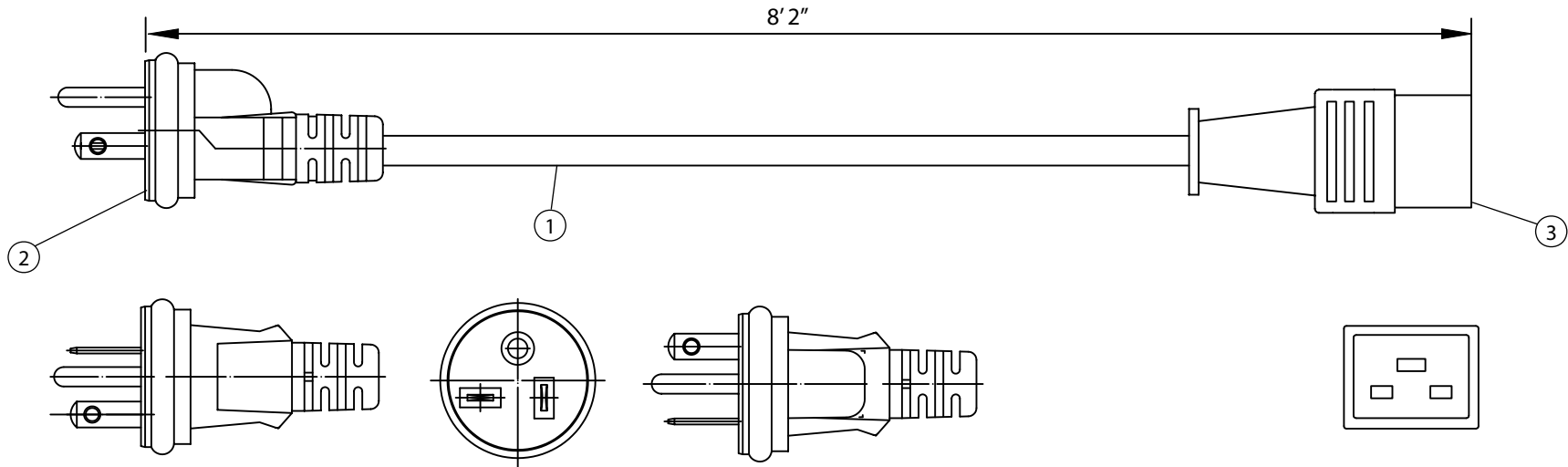


THESE DRAWINGS ARE THE PROPERTY OF QUALTEK ELECTRONICS AND NOT TO BE REPRODUCED FOR OR COMMUNICATED TO A THIRD PARTY WITHOUT THE EXPRESS WRITTEN PERMISSION OF AN OFFICER OF QUALTEK ELECTRONICS.

REVISION			
REV.	DESCRIPTION	DATE	APPROVED
B	RoHS Compliancy	06-01-06	DP
C	Temperature Rating Change	06-13-07	DP
D	Plug Style Updated	07-27-07	DP
E	Updated Rating	10-28-08	LY
F	Updated Voltage Rating	08-27-09	LY



NOTES:

1. CORDAGE: SJT, 12AWG / 3C, UNSHIELDED, NA COLOR CODE, TEMP. RATING 105°C, RATING: 125V, 20A, JACKET COLOR: BLACK
2. PLUG: NEMA 5-20P
3. CONNECTOR: IEC 60320 C19
4. APPROVALS: UL, cUL
5. ROHS COMPLIANT

CONTROLLED

Dim range (mm)		Tolerance +/- (mm)		Qualtek Electronics Corp. PPC DIVISION		
0-1		0.15		Part Number: 227003-01 RoHS Compliant		
1-6		0.20		Description: POWER CORD		
6-18		0.30		RFQ# 7082	UNIT: in	REV. F
18-50		0.50		Drawn / Date	Checked / Date	Approved / Date
50-120		0.70		K. Huang 08-21-98	08-21-98	JJH / 08-21-98
120-250		0.90				
250-500		1.20				