



50ppm/°C Precision Micropower Shunt Voltage References with Multiple Reverse Breakdown Voltages

General Description

The LM4050/LM4051 are precision two-terminal, shunt-mode, bandgap voltage references available in fixed reverse breakdown voltages of 1.225V, 2.048V, 2.500V, 3.000V, 3.3V, 4.096V, and 5.000V. Ideal for space-critical applications, the LM4050/LM4051 are offered in the subminiature 3-pin SC70 surface-mount packages (1.8mm x 1.8mm), 50% smaller than comparable devices in SOT23 surface-mount package (SOT23 versions are also available).

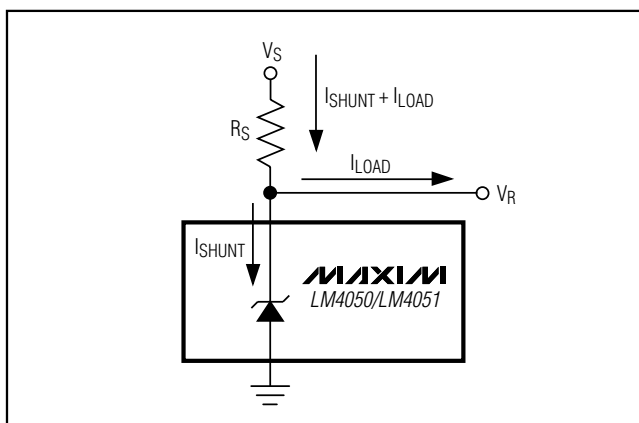
Laser-trimmed resistors ensure excellent initial accuracy. With a 50ppm/°C temperature coefficient, these devices are offered in three grades of initial accuracy ranging from 0.1% to 0.5%. The LM4050/LM4051 have a 60µA to 15mA shunt-current capability with low dynamic impedance, ensuring stable reverse breakdown voltage accuracy over a wide range of operating temperatures and currents. The LM4050/LM4051 do not require an external stabilizing capacitor while ensuring stability with any capacitive loads.

The LM4050/LM4051 specifications are guaranteed over the temperature range of -40°C to +125°C.

Applications

Portable, Battery-Powered Equipment
 Notebook Computers
 Cell Phones
 Industrial Process Controls

Typical Operating Circuit



Features

- ◆ 50ppm/°C (max) Temperature Coefficient Guaranteed over the -40°C to +125°C Temperature Range
- ◆ Ultra-Small 3-Pin SC70 Package
- ◆ 0.1% (max) Initial Accuracy
- ◆ Wide Operating Current Range: 60µA to 15mA
- ◆ Low 28µVRMS Output Noise (10Hz to 10kHz)
- ◆ 1.225V, 2.048V, 2.500V, 3.000V, 3.3V, 4.096V, and 5.000V Fixed Reverse Breakdown Voltages
- ◆ No Output Capacitors Required
- ◆ Tolerates Capacitive Loads

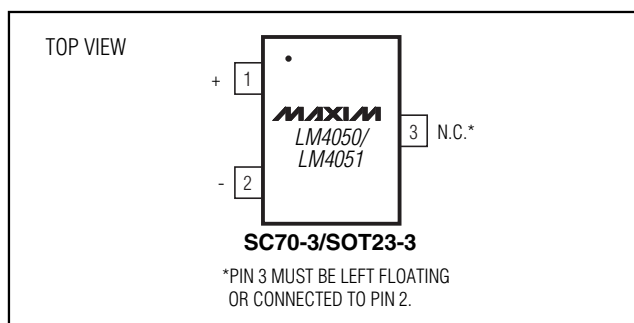
Selector Guide

PART	PIN-PACKAGE	OUTPUT VOLTAGE (V)	PACKAGE CODE
LM4050_EM3-2.1	3 SOT 23-3	2.048	U3-1
LM4050_EX3-2.1	3 SC70-3	2.048	X3-2
LM4050_EM3-2.5	3 SOT 23-3	2.500	U3-1
LM4050_EX3-2.5	3 SC70-3	2.500	X3-2
LM4050_EM3-3.0	3 SOT 23-3	3.000	U3-1
LM4050_EX3-3.0	3 SC70-3	3.000	X3-2
LM4050_EX3-3.3	3 SC70-3	3.300	X3-2
LM4050_EM3-4.1	3 SOT 23-3	4.096	U3-1
LM4050_EX3-4.1	3 SC70-3	4.096	X3-2
LM4050_EM3-5.0	3 SOT 23-3	5.000	U3-1
LM4050_EX3-5.0	3 SC70-3	5.000	X3-2
LM4051_EM3-1.2	3 SOT 23-3	1.225	U3-1
LM4051_EX3-1.2	3 SC70-3	1.225	X3-2

Note: All devices are specified over the -40°C to +125°C operating temperature range.

Ordering Information appears at end of data sheet.

Pin Configuration



LM4050/LM4051

50ppm/°C Precision Micropower Shunt Voltage References with Multiple Reverse Breakdown Voltages

ABSOLUTE MAXIMUM RATINGS

Reverse Current (cathode to anode)20mA
 Forward Current (anode to cathode)10mA
 Continuous Power Dissipation ($T_A = +70^\circ\text{C}$)
 3-Pin SC70 (derate 2.17mW/°C above +70°C).....174mW
 3-Pin SOT23 (derate 4.01mW/°C above +70°C).....320mW

Operating Temperature Range
 LM4050/LM4051_E_...-40°C to +125°C
 Storage Temperature Range-65°C to +150°C
 Junction Temperature+150°C
 Lead Temperature (soldering, 10s).....+300°C

Stresses beyond those listed under "Absolute Maximum Ratings" may cause permanent damage to the device. These are stress ratings only, and functional operation of the device at these or any other conditions beyond those indicated in the operational sections of the specifications is not implied. Exposure to absolute maximum rating conditions for extended periods may affect device reliability.

ELECTRICAL CHARACTERISTICS—1.225V

($I_R = 100\mu\text{A}$, $T_A = T_{\text{MIN}}$ to T_{MAX} , unless otherwise noted. Typical values are at $T_A = +25^\circ\text{C}$.) (Note 1)

PARAMETER	SYMBOL	CONDITIONS	MIN	TYP	MAX	UNITS	
Reverse Breakdown Voltage	V_R	$T_A = +25^\circ\text{C}$	LM4051A (0.1%)	1.2238	1.2250	1.2262	V
			LM4051B (0.2%)	1.2226	1.2250	1.2275	
			LM4051C (0.5%)	1.2189	1.2250	1.2311	
Reverse Breakdown Voltage Tolerance (Note 2)	V_{RTOL}	LM4051A		± 1.2	± 7	mV	
		LM4051B		± 2.4	± 9		
		LM4051C		± 6.0	± 12		
Minimum Operating Current	I_{RMIN}			45	60	μA	
Average Reverse Voltage Temperature Coefficient (Notes 2, 3)	$\Delta V_R/\Delta T$	$I_R = 10\text{mA}$		± 20		ppm/°C	
		$I_R = 1\text{mA}$		± 15	± 50		
		$I_R = 100\mu\text{A}$		± 15			
Reverse Breakdown Voltage Change with Operating Current Change		$I_{\text{RMIN}} \leq I_R \leq 1\text{mA}$		0.7	1.5	mV	
		$1\text{mA} \leq I_R \leq 12\text{mA}$		2.5	8.0		
Reverse Dynamic Impedance (Note 3)	Z_R	$I_R = 1\text{mA}$, $f = 120\text{Hz}$, $I_{\text{AC}} = 0.1I_R$		0.5	1.5	Ω	
Wideband Noise	e_N	$I_R = 100\mu\text{A}$, $10\text{Hz} \leq f \leq 10\text{kHz}$		20		μV_{RMS}	
Reverse Breakdown Voltage Long-Term Stability	ΔV_R	$T = 1000\text{h}$		120		ppm	

50ppm/°C Precision Micropower Shunt Voltage References with Multiple Reverse Breakdown Voltages

ELECTRICAL CHARACTERISTICS—2.048V

($I_R = 100\mu\text{A}$, $T_A = T_{\text{MIN}}$ to T_{MAX} , unless otherwise noted. Typical values are at $T_A = +25^\circ\text{C}$.) (Note 1)

PARAMETER	SYMBOL	CONDITIONS		MIN	TYP	MAX	UNITS
Reverse Breakdown Voltage	V_R	$T_A = +25^\circ\text{C}$	LM4050A (0.1%)	2.0460	2.0480	2.0500	V
			LM4050B (0.2%)	2.0439	2.0480	2.0521	
			LM4050C (0.5%)	2.0378	2.0480	2.0582	
Reverse Breakdown Voltage Tolerance (Note 2)	V_{RTOL}	LM4050A		± 2.0	± 12	mV	
		LM4050B		± 4.0	± 14		
		LM4050C		± 10	± 20		
Minimum Operating Current	I_{RMIN}			45	65	μA	
Average Reverse Voltage Temperature Coefficient (Notes 2, 3)	$\Delta V_R/\Delta T$	$I_R = 10\text{mA}$		± 20		ppm/°C	
		$I_R = 1\text{mA}$		± 15	± 50		
		$I_R = 100\mu\text{A}$		± 15			
Reverse Breakdown Voltage Change with Operating Current Change		$I_{\text{RMIN}} \leq I_R \leq 1\text{mA}$		0.3	1.0	mV	
		$1\text{mA} \leq I_R \leq 15\text{mA}$		2.5	8.0		
Reverse Dynamic Impedance (Note 3)	Z_R	$I_R = 1\text{mA}$, $f = 120\text{Hz}$, $I_{\text{AC}} = 0.1I_R$	LM4050A/B		0.3	0.8	Ω
			LM4050C		0.3	0.9	
Wideband Noise	e_N	$I_R = 100\mu\text{A}$, $10\text{Hz} \leq f \leq 10\text{kHz}$			28		μVRMS
Reverse Breakdown Voltage Long-Term Stability	ΔV_R	$T = 1000\text{h}$			120		ppm

LM4050/LM4051

50ppm/°C Precision Micropower Shunt Voltage References with Multiple Reverse Breakdown Voltages

ELECTRICAL CHARACTERISTICS—2.500V

($I_R = 100\mu\text{A}$, $T_A = T_{\text{MIN}}$ to T_{MAX} , unless otherwise noted. Typical values are at $T_A = +25^\circ\text{C}$.) (Note 1)

PARAMETER	SYMBOL	CONDITIONS		MIN	TYP	MAX	UNITS
Reverse Breakdown Voltage	V_R	$T_A = +25^\circ\text{C}$	LM4050A (0.1%)	2.4975	2.5000	2.5025	V
			LM4050B (0.2%)	2.4950	2.5000	2.5050	
			LM4050C (0.5%)	2.4875	2.5000	2.5125	
Reverse Breakdown Voltage Tolerance (Note 2)	V_{RTOL}	LM4050A		± 2.5	± 15	mV	
		LM4050B		± 5.0	± 18		
		LM4050C		± 13	± 25		
Minimum Operating Current	I_{RMIN}			45	65	μA	
Average Reverse Voltage Temperature Coefficient (Notes 2, 3)	$\Delta V_R/\Delta T$	$I_R = 10\text{mA}$		± 20		ppm/°C	
		$I_R = 1\text{mA}$		± 15	± 50		
		$I_R = 100\mu\text{A}$		± 15			
Reverse Breakdown Voltage Change with Operating Current Change		$I_{\text{RMIN}} \leq I_R \leq 1\text{mA}$		0.3	1.0	mV	
		$1\text{mA} \leq I_R \leq 15\text{mA}$		2.5	8.0		
Reverse Dynamic Impedance (Note 3)	Z_R	$I_R = 1\text{mA}$, $f = 120\text{Hz}$, $I_{\text{AC}} = 0.1I_R$	LM4050A/B		0.3	0.8	Ω
			LM4050C		0.3	0.9	
Wideband Noise	e_N	$I_R = 100\mu\text{A}$, $10\text{Hz} \leq f \leq 10\text{kHz}$			35		μV_{RMS}
Reverse Breakdown Voltage Long-Term Stability	ΔV_R	$T = 1000\text{h}$			120		ppm

50ppm/°C Precision Micropower Shunt Voltage References with Multiple Reverse Breakdown Voltages

LM4050/LM4051

ELECTRICAL CHARACTERISTICS—3.000V

($I_R = 100\mu\text{A}$, $T_A = T_{\text{MIN}}$ to T_{MAX} , unless otherwise noted. Typical values are at $T_A = +25^\circ\text{C}$.) (Note 1)

PARAMETER	SYMBOL	CONDITIONS		MIN	TYP	MAX	UNITS
Reverse Breakdown Voltage	V_R	$T_A = +25^\circ\text{C}$	LM4050A (0.1%)	2.9970	3.0000	3.0030	V
			LM4050B (0.2%)	2.9940	3.0000	3.0060	
			LM4050C (0.5%)	2.9850	3.0000	3.0150	
Reverse Breakdown Voltage Tolerance (Note 2)	V_{RTOL}	LM4050A		± 3.0	± 18	mV	
		LM4050B		± 6.0	± 21		
		LM4050C		± 15	± 30		
Minimum Operating Current	I_{RMIN}			45	67	μA	
Average Reverse Voltage Temperature Coefficient (Notes 2, 3)	$\Delta V_R/\Delta T$	$I_R = 10\text{mA}$		± 20		ppm/°C	
		$I_R = 1\text{mA}$		± 15	± 50		
		$I_R = 100\mu\text{A}$		± 15			
Reverse Breakdown Voltage Change with Operating Current Change		$I_{\text{RMIN}} \leq I_R \leq 1\text{mA}$		0.3	1.0	mV	
		$1\text{mA} \leq I_R \leq 15\text{mA}$		2.5	8.0		
Reverse Dynamic Impedance (Note 3)	Z_R	$I_R = 1\text{mA}$, $f = 120\text{Hz}$, $I_{\text{AC}} = 0.1I_R$	LM4050A/B		0.3	0.8	Ω
			LM4050C		0.3	0.9	
Wideband Noise	e_N	$I_R = 100\mu\text{A}$, $10\text{Hz} \leq f \leq 10\text{kHz}$		45		μVRMS	
Reverse Breakdown Voltage Long-Term Stability	ΔV_R	$T = 1000\text{h}$		120		ppm	

ELECTRICAL CHARACTERISTICS—3.300V

($I_R = 100\mu\text{A}$, $T_A = T_{\text{MIN}}$ to T_{MAX} , unless otherwise noted. Typical values are at $T_A = +25^\circ\text{C}$.) (Note 1)

PARAMETER	SYMBOL	CONDITIONS		MIN	TYP	MAX	UNITS
Reverse Breakdown Voltage	V_R	$T_A = +25^\circ\text{C}$	LM4050A (0.1%)	3.2967	3.3000	3.3033	V
			LM4050B (0.2%)	3.2934	3.3000	3.3066	
			LM4050C (0.5%)	3.2835	3.3000	3.3165	
Reverse Breakdown Voltage Tolerance (Note 2)	V_{RTOL}	LM4050A		± 3.0	± 18	mV	
		LM4050B		± 6.0	± 21		
		LM4050C		± 15	± 30		
Minimum Operating Current	I_{RMIN}			45	67	μA	
Average Reverse Voltage Temperature Coefficient (Notes 2, 3)	$\Delta V_R/\Delta T$	$I_R = 10\text{mA}$		± 20		ppm/°C	
		$I_R = 1\text{mA}$		± 15	± 50		
		$I_R = 100\mu\text{A}$		± 15			
Reverse Breakdown Voltage Change with Operating Current Change		$I_{\text{RMIN}} \leq I_R \leq 1\text{mA}$		0.3	1.0	mV	
		$1\text{mA} \leq I_R \leq 15\text{mA}$		2.5	8.0		
Reverse Dynamic Impedance (Note 3)	Z_R	$I_R = 1\text{mA}$, $f = 120\text{Hz}$, $I_{\text{AC}} = 0.1I_R$	LM4050A/B		0.3	0.8	Ω
			LM4050C		0.3	0.9	
Wideband Noise	e_N	$I_R = 100\mu\text{A}$, $10\text{Hz} \leq f \leq 10\text{kHz}$		50		μVRMS	
Reverse Breakdown Voltage Long-Term Stability	ΔV_R	$T = 1000\text{h}$		120		ppm	

50ppm/°C Precision Micropower Shunt Voltage References with Multiple Reverse Breakdown Voltages

ELECTRICAL CHARACTERISTICS—4.096V

($I_R = 100\mu\text{A}$, $T_A = T_{\text{MIN}}$ to T_{MAX} , unless otherwise noted. Typical values are at $T_A = +25^\circ\text{C}$.) (Note 1)

PARAMETER	SYMBOL	CONDITIONS	MIN	TYP	MAX	UNITS	
Reverse Breakdown Voltage	V_R	$T_A = +25^\circ\text{C}$	LM4050A (0.1%)	4.0919	4.0960	4.1001	V
			LM4050B (0.2%)	4.0878	4.0960	4.1042	
			LM4050C (0.5%)	4.0755	4.0960	4.1165	
Reverse Breakdown Voltage Tolerance (Note 2)	V_{RTOL}	LM4050A		± 4.1	± 25	mV	
		LM4050B		± 8.2	± 29		
		LM4050C		± 20	± 41		
Minimum Operating Current	I_{RMIN}		50	73		μA	
Average Reverse Voltage Temperature Coefficient (Notes 2, 3)	$\Delta V_R/\Delta T$	$I_R = 10\text{mA}$		± 30		ppm/°C	
		$I_R = 1\text{mA}$		± 20	± 50		
		$I_R = 100\mu\text{A}$		± 15			
Reverse Breakdown Voltage Change with Operating Current Change		$I_{\text{RMIN}} \leq I_R \leq 1\text{mA}$		0.5	1.2	mV	
		$1\text{mA} \leq I_R \leq 15\text{mA}$		3.0	10.0		
Reverse Dynamic Impedance (Note 3)	Z_R	$I_R = 1\text{mA}$, $f = 120\text{Hz}$, $I_{\text{AC}} = 0.1I_R$		0.5	1.0	Ω	
Wideband Noise	e_N	$I_R = 100\mu\text{A}$, $10\text{Hz} \leq f \leq 10\text{kHz}$		64		μVRMS	
Reverse Breakdown Voltage Long-Term Stability	ΔV_R	$T = 1000\text{h}$		120		ppm	

50ppm/°C Precision Micropower Shunt Voltage References with Multiple Reverse Breakdown Voltages

LM4050/LM4051

ELECTRICAL CHARACTERISTICS—5.000V

($I_R = 100\mu\text{A}$, $T_A = T_{\text{MIN}}$ to T_{MAX} , unless otherwise noted. Typical values are at $T_A = +25^\circ\text{C}$.) (Note 1)

PARAMETER	SYMBOL	CONDITIONS	MIN	TYP	MAX	UNITS	
Reverse Breakdown Voltage	V_R	$T_A = +25^\circ\text{C}$	LM4050A (0.1%)	4.9950	5.0000	5.0050	V
			LM4050B (0.2%)	4.9900	5.0000	5.0100	
			LM4050C (0.5%)	4.9750	5.0000	5.0250	
Reverse Breakdown Voltage Tolerance (Note 2)	V_{RTOL}	LM4050A		± 5.0	± 30	mV	
		LM4050B		± 10	± 35		
		LM4050C		± 25	± 50		
Minimum Operating Current	I_{RMIN}			54	80	μA	
Average Reverse Voltage Temperature Coefficient (Notes 2, 3)	$\Delta V_R / \Delta T$	$I_R = 10\text{mA}$		± 30		ppm/°C	
		$I_R = 1\text{mA}$		± 20	± 50		
		$I_R = 100\mu\text{A}$		± 15			
Reverse Breakdown Voltage Change with Operating Current Change		$I_{\text{RMIN}} \leq I_R \leq 1\text{mA}$		0.5	1.4	mV	
		$1\text{mA} \leq I_R \leq 15\text{mA}$		3.5	12.0		
Reverse Dynamic Impedance (Note 3)	Z_R	$I_R = 1\text{mA}$, $f = 120\text{Hz}$, $I_{\text{AC}} = 0.1I_R$		0.5	1.1	Ω	
Wideband Noise	e_N	$I_R = 100\mu\text{A}$, $10\text{Hz} \leq f \leq 10\text{kHz}$		80		μVRMS	
Reverse Breakdown Voltage Long-Term Stability	ΔV_R	$T = 1000\text{h}$		120		ppm	

Note 1: All devices are 100% production tested at $+25^\circ\text{C}$ and are guaranteed by design for $T_A = T_{\text{MIN}}$ to T_{MAX} , as specified.

Note 2: The limit over the full temperature range for the reverse breakdown voltage tolerance is defined as:

$$[V_{\text{RTOL}}] \pm [(\Delta V_R / \Delta T) \times (\text{max}\Delta T) \times (V_R)]$$

where $\Delta V_R / \Delta T$ is the V_R temperature coefficient, $\text{max}\Delta T$ is the difference from the $+25^\circ\text{C}$ reference point to T_{MIN} or T_{MAX} , and V_R is the reverse breakdown voltage.

The total tolerance over the full temperature range for the different grades where $\text{max}\Delta T = +100^\circ\text{C}$ is shown below:

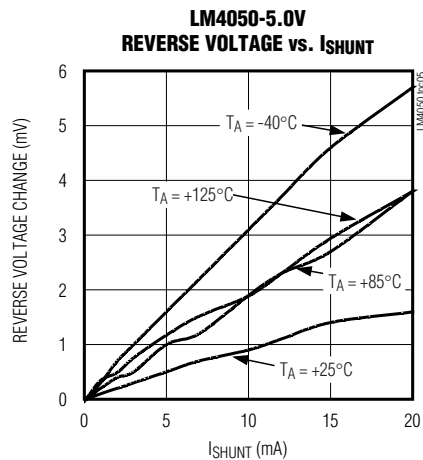
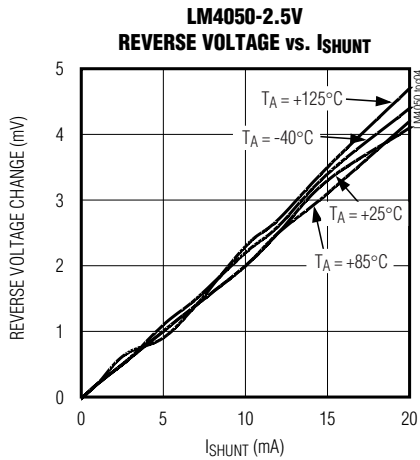
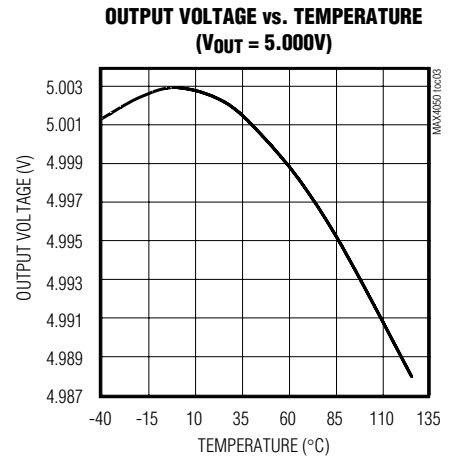
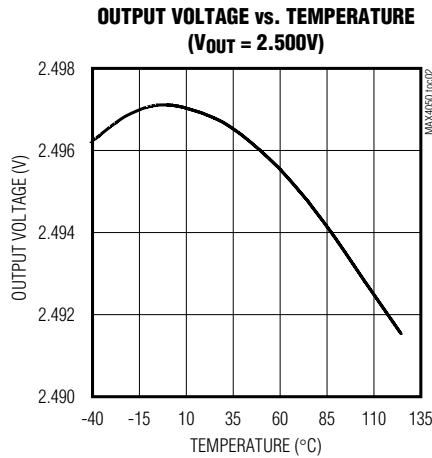
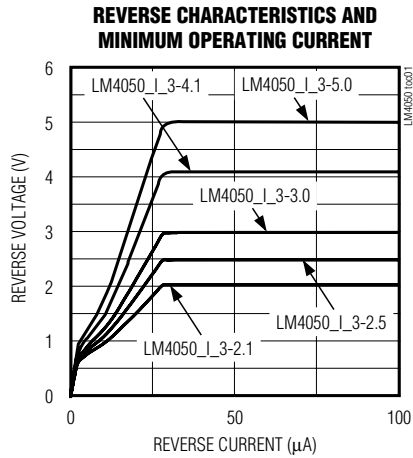
- A grade: $\pm 0.6\% = \pm 0.1\% \pm 50\text{ppm}/^\circ\text{C} \times 100^\circ\text{C}$
- B grade: $\pm 0.7\% = \pm 0.2\% \pm 50\text{ppm}/^\circ\text{C} \times 100^\circ\text{C}$
- C grade: $\pm 1.0\% = \pm 0.5\% \pm 50\text{ppm}/^\circ\text{C} \times 100^\circ\text{C}$

Note 3: Guaranteed by design.

50ppm/°C Precision Micropower Shunt Voltage References with Multiple Reverse Breakdown Voltages

Typical Operating Characteristics

($I_R = 100\mu A$, SC70-3 package, $T_A = +25^\circ C$, unless otherwise noted.)



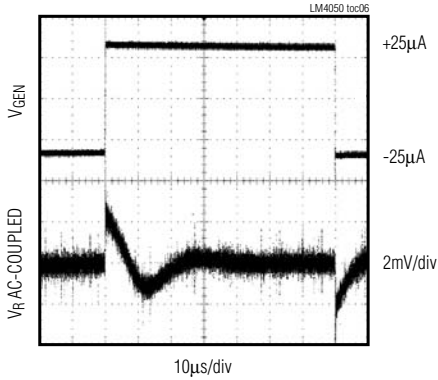
50ppm/°C Precision Micropower Shunt Voltage References with Multiple Reverse Breakdown Voltages

Typical Operating Characteristics (continued)

($I_R = 100\mu\text{A}$, SC70-3 package, $T_A = +25^\circ\text{C}$, unless otherwise noted.)

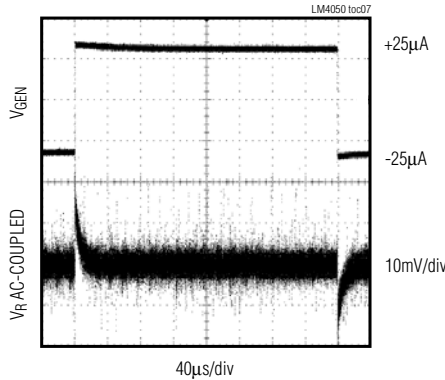
LM4050/LM4051

**LM4050-2.5V
LOAD-TRANSIENT RESPONSE**



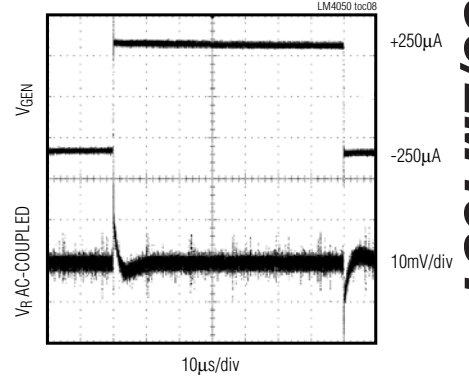
CH1: V_{GEN} 2V/div
CH2: V_R AC-COUPLED 2mV/div
 $I_{SHUNT} = 100\mu\text{A} \pm 25\mu\text{A}$, $R_L = 100\text{k}\Omega$, SEE FIGURE 1.

**LM4050-5.0V
LOAD-TRANSIENT RESPONSE**



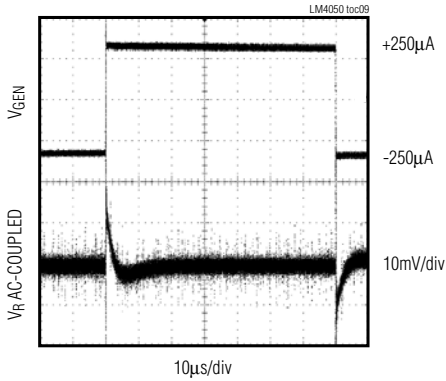
$I_{SHUNT} = 100\mu\text{A} \pm 25\mu\text{A}$
 $R_L = 100\text{k}\Omega$, SEE FIGURE 1.

**LM4050-2.5V
LOAD-TRANSIENT RESPONSE**



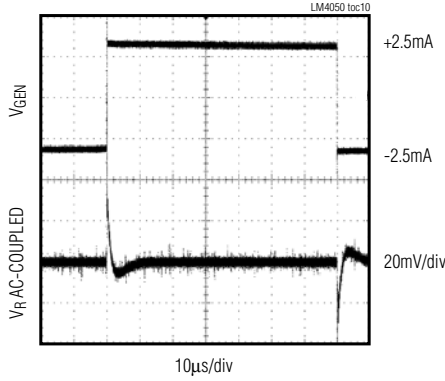
$I_{SHUNT} = 1\text{mA} \pm 250\mu\text{A}$
 $R_L = 10\text{k}\Omega$, SEE FIGURE 1.

**LM4050-5.0V
LOAD-TRANSIENT RESPONSE**



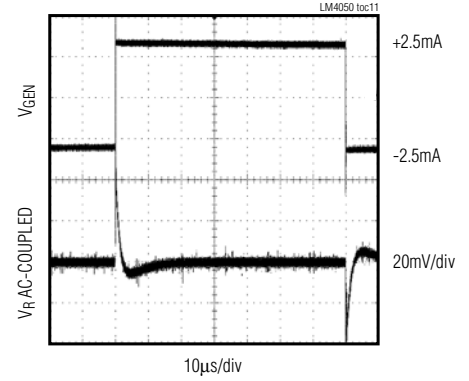
$I_{SHUNT} = 1\text{mA} \pm 250\mu\text{A}$
 $R_L = 10\text{k}\Omega$, SEE FIGURE 1.

**LM4050-2.5V
LOAD-TRANSIENT RESPONSE**



$I_{SHUNT} = 10\text{mA} \pm 2.5\text{mA}$
 $R_L = 1\text{k}\Omega$, SEE FIGURE 1.

**LM4050-5.0V
LOAD-TRANSIENT RESPONSE**



$I_{SHUNT} = 10\text{mA} \pm 2.5\text{mA}$
 $R_L = 1\text{k}\Omega$, SEE FIGURE 1.

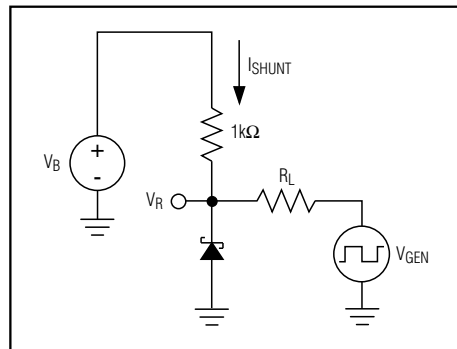


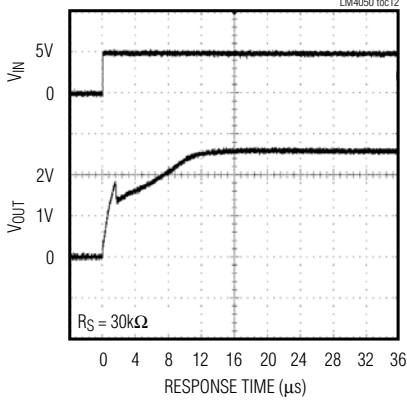
Figure 1. Load-Transient Test Circuit

50ppm/°C Precision Micropower Shunt Voltage References with Multiple Reverse Breakdown Voltages

Typical Operating Characteristics (continued)

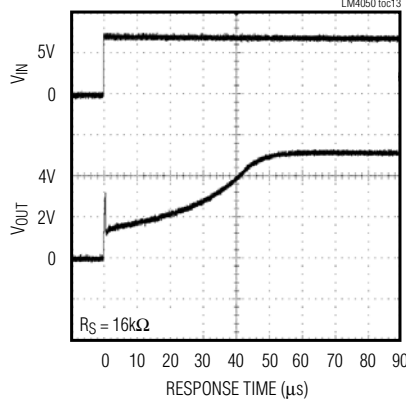
($I_R = 100\mu\text{A}$, SC70-3 package, $T_A = +25^\circ\text{C}$, unless otherwise noted.)

**LM4050-2.5V
STARTUP CHARACTERISTICS**



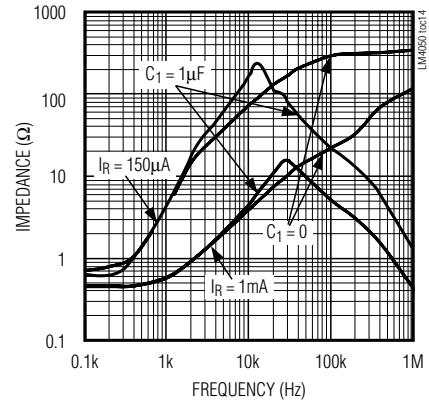
SEE FIGURE 2.

**LM4050-5.0V
STARTUP CHARACTERISTICS**

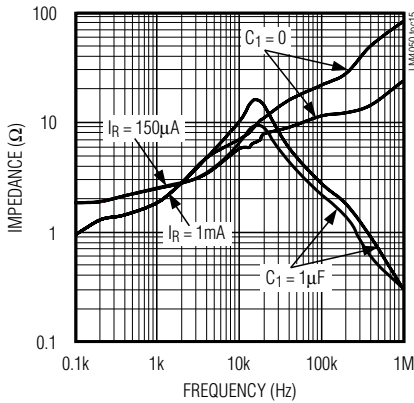


SEE FIGURE 2.

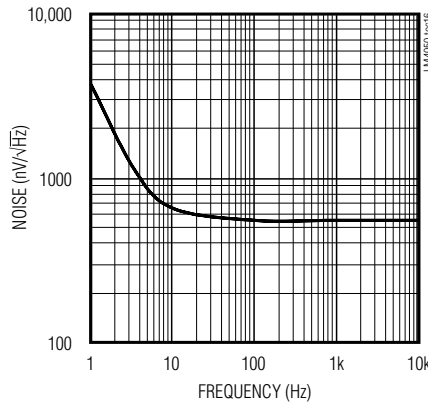
**LM4050-2.5V
OUTPUT IMPEDANCE vs. FREQUENCY**



**LM4050-5.0V
OUTPUT IMPEDANCE vs. FREQUENCY**



**LM4050-2.5V
NOISE vs. FREQUENCY**



**LM4050-5.0V
NOISE vs. FREQUENCY**

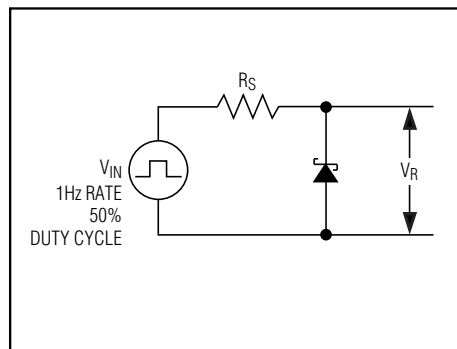
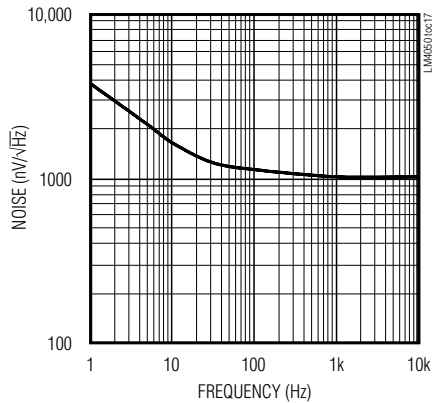


Figure 2. Startup Characteristics Test Circuit

50ppm/°C Precision Micropower Shunt Voltage References with Multiple Reverse Breakdown Voltages

LM4050/LM4051

Pin Description

PIN	NAME	FUNCTION
1	+	Positive Terminal of the Shunt Reference
2	-	Negative Terminal of the Shunt Reference
3	N.C.	No connection. Leave this pin unconnected or connected to pin 2.

Detailed Description

The LM4050/LM4051 shunt references use the bandgap principle to produce a stable, accurate voltage. The device behaves similarly to an ideal zener diode; a fixed voltage is maintained across its output terminals when biased with 60µA to 15mA of reverse current. The LM4050/LM4051 clamps to a voltage of one diode drop below ground when biased with forward currents up to 10mA.

Figure 3 shows a typical operating circuit. The LM4050/LM4051 are ideal for providing stable references from a high-voltage power supply.

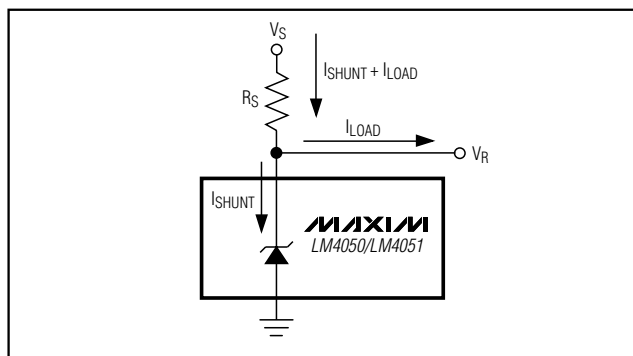


Figure 3. Typical Operating Circuit

Applications Information

The LM4050/LM4051s' internal pass transistors are used to maintain a constant output voltage (V_{SHUNT}) by sinking the necessary amount of current across a source resistor. The source resistance (R_S) is determined from the load current (I_{LOAD}) range, supply voltage (V_S) variations, V_{SHUNT} , and desired quiescent current.

Choose the value of R_S when V_S is at a minimum and I_{LOAD} is at a maximum. Maintain a minimum I_{SHUNT} of 60µA at all times. The R_S value should be large enough to keep I_{SHUNT} less than 15mA for proper regulation when V_S is maximum and I_{LOAD} is at a minimum. To prevent damage to the device, I_{SHUNT} should never exceed 20mA.

Therefore, the value of R_S is bounded by the following equation:

$$\frac{[V_S(\text{MIN}) - V_R]}{[60\mu\text{A} + I_{LOAD(\text{MAX})}] > R_S > \frac{[V_S(\text{MAX}) - V_R]}{[20\text{mA} + I_{LOAD(\text{MIN})}]}$$

Choosing a larger resistance minimizes the total power dissipation in the circuit by reducing the shunt current ($P_{D(\text{TOTAL})} = V_S \times I_{SHUNT}$). Provide a safety margin to incorporate the worst-case tolerance of the resistor used. Ensure that the resistor's power rating is adequate, using the following general power equation:

$$P_{DR} = I_{SHUNT} \times (V_S(\text{MAX}) - V_{SHUNT})$$

Output Capacitance

The LM4050/LM4051 do not require external capacitors for frequency stability and are stable for any output capacitance.

Temperature Performance

The LM4050/LM4051 typically exhibit output voltage temperature coefficients within $\pm 15\text{ppm}/^\circ\text{C}$. The polarity of the temperature coefficients may be different from one device to another; some may have positive coefficients, and others may have negative coefficients.

High Temperature Operation

The maximum junction temperature of the LM4050/LM4051 is $+150^\circ\text{C}$. The maximum operating temperature for the LM4050/LM4051_E_ is $+125^\circ\text{C}$. At a maximum load current of 15mA and a maximum output voltage of 5V, the parts dissipate 75mW of power. The power dissipation limits of the 3-pin SC70 call for a derating value of $2.17\text{mW}/^\circ\text{C}$ above $+70^\circ\text{C}$ and thus for 75mW of power dissipation, the parts self-heat to 35.56°C above ambient temperature. If the ambient temperature is $+125^\circ\text{C}$, the parts operate at 159.56°C , thereby exceeding the maximum junction temperature value of $+150^\circ\text{C}$. For high-temperature operation, care must be taken to ensure the combination of ambient temperature, output power dissipation, and package thermal resistance does not conspire to raise the device temperature beyond that listed in the *Absolute Maximum Ratings*. Either reduce the output load current or the ambient temperature to keep the part within the limits.

Chip Information

TRANSISTOR COUNT: 60

PROCESS: BiCMOS

50ppm/°C Precision Micropower Shunt Voltage References with Multiple Reverse Breakdown Voltages

Ordering Information

LM4050/LM4051

PART	OUTPUT VOLTAGE (V)	INITIAL ACCURACY (%)	TEMPCO (ppm/°C)	TEMP RANGE	PIN-PACKAGE	TOP MARK
LM4050AEM3-2.1-T	2.048	0.1	50	-40°C to +125°C	3 SOT23-3	FZLN
LM4050AEX3-2.1-T	2.048	0.1	50	-40°C to +125°C	3 SC70-3	AJX
LM4050BEM3-2.1-T	2.048	0.2	50	-40°C to +125°C	3 SOT23-3	FZLO
LM4050BEX3-2.1-T	2.048	0.2	50	-40°C to +125°C	3 SC70-3	AJY
LM4050CEM3-2.1-T	2.048	0.5	50	-40°C to +125°C	3 SOT23-3	FZLP
LM4050CEX3-2.1-T	2.048	0.5	50	-40°C to +125°C	3 SC70-3	AJZ
LM4050AEM3-2.5-T	2.500	0.1	50	-40°C to +125°C	3 SOT23-3	FZLR
LM4050AEX3-2.5-T	2.500	0.1	50	-40°C to +125°C	3 SC70-3	AKB
LM4050BEM3-2.5-T	2.500	0.2	50	-40°C to +125°C	3 SOT23-3	FZLS
LM4050BEX3-2.5-T	2.500	0.2	50	-40°C to +125°C	3 SC70-3	AKC
LM4050CEM3-2.5-T	2.500	0.5	50	-40°C to +125°C	3 SOT23-3	FZLJ
LM4050CEX3-2.5-T	2.500	0.5	50	-40°C to +125°C	3 SC70-3	AKD
LM4050AEM3-3.0-T	3.000	0.1	50	-40°C to +125°C	3 SOT23-3	FZLV
LM4050AEX3-3.0-T	3.000	0.1	50	-40°C to +125°C	3 SC70-3	AKF
LM4050BEM3-3.0-T	3.000	0.2	50	-40°C to +125°C	3 SOT23-3	FZLW
LM4050BEX3-3.0-T	3.000	0.2	50	-40°C to +125°C	3 SC70-3	AKG
LM4050CEM3-3.0-T	3.000	0.5	50	-40°C to +125°C	3 SOT23-3	FZLX
LM4050CEX3-3.0-T	3.000	0.5	50	-40°C to +125°C	3 SC70-3	AKH
LM4050AEX3-3.3-T	3.300	0.1	50	-40°C to +125°C	3 SC70-3	AOC
LM4050BEX3-3.3-T	3.300	0.2	50	-40°C to +125°C	3 SC70-3	AOD
LM4050CEX3-3.3-T	3.300	0.5	50	-40°C to +125°C	3 SC70-3	AOE
LM4050AEM3-4.1-T	4.096	0.1	50	-40°C to +125°C	3 SOT23-3	FZLZ
LM4050AEX3-4.1-T	4.096	0.1	50	-40°C to +125°C	3 SC70-3	AKJ
LM4050BEM3-4.1-T	4.096	0.2	50	-40°C to +125°C	3 SOT23-3	FZMA
LM4050BEX3-4.1-T	4.096	0.2	50	-40°C to +125°C	3 SC70-3	AKK
LM4050CEM3-4.1-T	4.096	0.5	50	-40°C to +125°C	3 SOT23-3	FZMB
LM4050CEX3-4.1-T	4.096	0.5	50	-40°C to +125°C	3 SC70-3	AKL
LM4050AEM3-5.0-T	5.000	0.1	50	-40°C to +125°C	3 SOT23-3	FZMD
LM4050AEX3-5.0-T	5.000	0.1	50	-40°C to +125°C	3 SC70-3	AKN
LM4050BEM3-5.0-T	5.000	0.2	50	-40°C to +125°C	3 SOT23-3	FZME
LM4050BEX3-5.0-T	5.000	0.2	50	-40°C to +125°C	3 SC70-3	AKO
LM4050CEM3-5.0-T	5.000	0.5	50	-40°C to +125°C	3 SOT23-3	FZOA
LM4050CEX3-5.0-T	5.000	0.5	50	-40°C to +125°C	3 SC70-3	AKP
LM4051AEM3-1.2-T	1.225	0.1	50	-40°C to +125°C	3 SOT23-3	FZLJ
LM4051AEX3-1.2-T	1.225	0.1	50	-40°C to +125°C	3 SC70-3	AJT
LM4051BEM3-1.2-T	1.225	0.2	50	-40°C to +125°C	3 SOT23-3	FZLK
LM4051BEX3-1.2-T	1.225	0.2	50	-40°C to +125°C	3 SC70-3	AJU
LM4051CEM3-1.2-T	1.225	0.5	50	-40°C to +125°C	3 SOT23-3	FZLL
LM4051CEX3-1.2-T	1.225	0.5	50	-40°C to +125°C	3 SC70-3	AJV

50ppm/°C Precision Micropower Shunt Voltage References with Multiple Reverse Breakdown Voltages

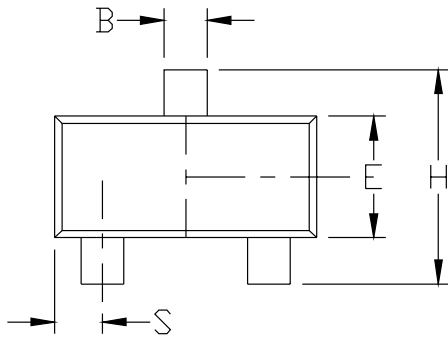
Package Information

(The package drawing(s) in this data sheet may not reflect the most current specifications. For the latest package outline information, go to www.maxim-ic.com/packages.)

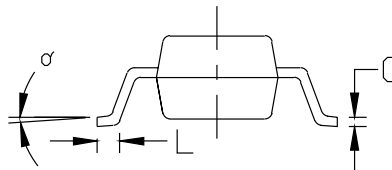
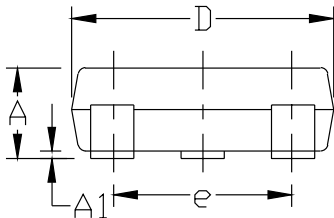
LM4050/LM4051

NOTES:

1. D&E DO NOT INCLUDE MOLD FLASH.
2. MOLD FLASH OR PROTRUSIONS NOT TO EXCEED .15mm (.006")
3. CONTROLLING DIMENSION: MILLIMETER



DIM	INCHES		MILLIMETERS	
	MIN	MAX	MIN	MAX
A	0.031	0.047	0.787	1.194
A1	0.001	0.005	0.025	0.127
B	0.014	0.022	0.356	0.559
C	0.0034	0.006	0.086	0.152
D	0.105	0.120	2.667	3.048
E	0.047	0.055	1.194	1.397
e	0.070	0.080	1.778	2.032
H	0.082	0.098	2.083	2.489
L	0.004	0.012	0.102	0.305
S	0.017	0.022	0.432	0.559
α	0°	8°	0°	8°

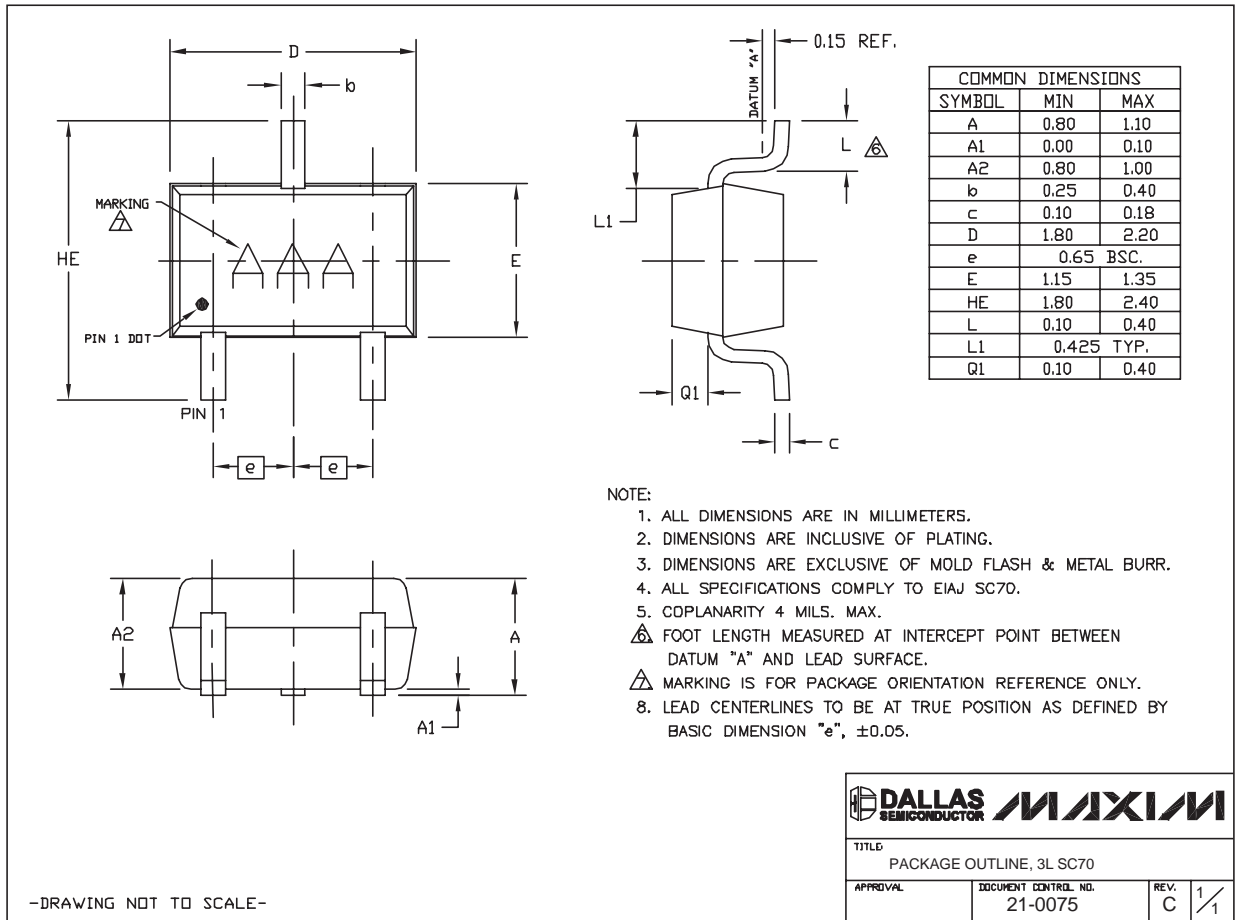


MAXIM		
<small>PROPRIETARY INFORMATION</small>		
<small>TITLE:</small>		
PACKAGE OUTLINE, SOT-23, 3L		
<small>APPROVAL</small>	<small>DOCUMENT CONTROL NO.</small>	<small>REV</small>
	21-0051	C 1/1

50ppm/°C Precision Micropower Shunt Voltage References with Multiple Reverse Breakdown Voltages

Package Information (continued)

(The package drawing(s) in this data sheet may not reflect the most current specifications. For the latest package outline information, go to www.maxim-ic.com/packages.)



SC70, 3L-EPS

-DRAWING NOT TO SCALE-

TITLED		
PACKAGE OUTLINE, 3L SC70		
APPROVAL	DOCUMENT CONTROL NO.	REV.
	21-0075	C 1/1

Maxim cannot assume responsibility for use of any circuitry other than circuitry entirely embodied in a Maxim product. No circuit patent licenses are implied. Maxim reserves the right to change the circuitry and specifications without notice at any time.

SITE
SEARCHPART NO.
SEARCH

WHAT'S NEW

PRODUCTS

SOLUTIONS

DESIGN

APPNOTES

SUPPORT

BUY

COMPANY

MEMBERS

[Maxim](#) > [Products](#) > [Voltage References](#)

LM4050, LM4051

50ppm/C Precision Micropower Shunt Voltage References with Multiple Reverse Breakdown Voltages

Industry Standard 50ppm/C Voltage Reference Fits in SC70

[QuickView](#)[Technical Documents](#)[Ordering Info](#)[More Information](#)[All](#)

Ordering Information

Notes:

1. Other options and links for purchasing parts are listed at: <http://www.maxim-ic.com/sales>.
2. [Didn't Find What You Need?](#) Ask our applications engineers. Expert assistance in finding parts, usually within one business day.
3. Part number suffixes: T or T&R = tape and reel; + = RoHS/lead-free; # = RoHS/lead-exempt. More: See [Full Data Sheet](#) or [Part Naming Conventions](#).
4. * Some packages have variations, listed on the drawing. "PkgCode/Variation" tells which variation the product uses.

Devices: 1-241 of 241

LM4050	Free Sample	Buy	Package: TYPE PINS FOOTPRINT DRAWING CODE/VAR *	Temp	RoHS/Lead-Free? Materials Analysis
LM4050DEX3-3.3-T				-40C to +125C	RoHS/Lead-Free: See data sheet
LM4050A	Free Sample	Buy	Package: TYPE PINS FOOTPRINT DRAWING CODE/VAR *	Temp	RoHS/Lead-Free? Materials Analysis
LM4050AIX3-2.1			SC-70;3 pin;5 mm Dwg: 21-0075C (PDF) Use pkgcode/variation: X3-2*	-40C to +125C	RoHS/Lead-Free: No Materials Analysis
LM4050AIX3-2.1-T			SC-70;3 pin;5 mm Dwg: 21-0075C (PDF) Use pkgcode/variation: X3-2*	-40C to +125C	RoHS/Lead-Free: No Materials Analysis
LM4050AIX3-2.5			SC-70;3 pin;5 mm Dwg: 21-0075C (PDF) Use pkgcode/variation: X3-2*	-40C to +125C	RoHS/Lead-Free: No Materials Analysis
LM4050AIX3-2.5-T			SC-70;3 pin;5 mm Dwg: 21-0075C (PDF) Use pkgcode/variation: X3-2*	-40C to +125C	RoHS/Lead-Free: No Materials Analysis
LM4050AIX3-3.0			SC-70;3 pin;5 mm Dwg: 21-0075C (PDF) Use pkgcode/variation: X3-2*	-40C to +125C	RoHS/Lead-Free: No Materials Analysis
LM4050AIX3-3.0-T			SC-70;3 pin;5 mm Dwg: 21-0075C (PDF) Use pkgcode/variation: X3-2*	-40C to +125C	RoHS/Lead-Free: No Materials Analysis
LM4050AIX3-4.1			SC-70;3 pin;5 mm Dwg: 21-0075C (PDF) Use pkgcode/variation: X3-2*	-40C to +125C	RoHS/Lead-Free: No Materials Analysis
LM4050AIX3-4.1-T			SC-70;3 pin;5 mm Dwg: 21-0075C (PDF) Use pkgcode/variation: X3-2*	-40C to +125C	RoHS/Lead-Free: No Materials Analysis
LM4050AIX3-5.0-T			SC-70;3 pin;5 mm Dwg: 21-0075C (PDF) Use pkgcode/variation: X3-2*	-40C to +125C	RoHS/Lead-Free: No Materials Analysis
LM4050AEX3-5.0			SC-70;3 pin;5 mm Dwg: 21-0075C (PDF) Use pkgcode/variation: X3-2*	-40C to +125C	RoHS/Lead-Free: No Materials Analysis

LM4050AEX3-2.1			SC-70;3 pin;5 mm Dwg: 21-0075C (PDF) Use pkgcode/variation: X3-2*	-40C to +125C	RoHS/Lead-Free: No Materials Analysis
LM4050AEX3-2.5			SC-70;3 pin;5 mm Dwg: 21-0075C (PDF) Use pkgcode/variation: X3-2*	-40C to +125C	RoHS/Lead-Free: No Materials Analysis
LM4050AEX3-2.1+T				-40C to +125C	RoHS/Lead-Free: See data sheet
LM4050AEX3-3.0			SC-70;3 pin;5 mm Dwg: 21-0075C (PDF) Use pkgcode/variation: X3-2*	-40C to +125C	RoHS/Lead-Free: No Materials Analysis
LM4050AEX3-4.1+			SC-70;3 pin;5 mm Dwg: 21-0075C (PDF) Use pkgcode/variation: X3+2*	-40C to +125C	RoHS/Lead-Free: Lead Free Materials Analysis
LM4050AEX3-4.1			SC-70;3 pin;5 mm Dwg: 21-0075C (PDF) Use pkgcode/variation: X3-2*	-40C to +125C	RoHS/Lead-Free: No Materials Analysis
LM4050AEX3-2.5+			SC-70;3 pin;5 mm Dwg: 21-0075C (PDF) Use pkgcode/variation: X3+2*	-40C to +125C	RoHS/Lead-Free: Lead Free Materials Analysis
LM4050AIX3-5.0			SC-70;3 pin;5 mm Dwg: 21-0075C (PDF) Use pkgcode/variation: X3-2*	-40C to +125C	RoHS/Lead-Free: No Materials Analysis
LM4050AEX3-4.1+T			SC-70;3 pin;5 mm Dwg: 21-0075C (PDF) Use pkgcode/variation: X3+2*	-40C to +125C	RoHS/Lead-Free: Lead Free Materials Analysis
LM4050AEX3-3.0+T				-40C to +125C	RoHS/Lead-Free: See data sheet
LM4050AEX3-2.5+T			SC-70;3 pin;5 mm Dwg: 21-0075C (PDF) Use pkgcode/variation: X3+2*	-40C to +125C	RoHS/Lead-Free: Lead Free Materials Analysis
LM4050AEX3-5.0+T				-40C to +125C	RoHS/Lead-Free: See data sheet
LM4050AEX3-3.3+			SC-70;3 pin;5 mm Dwg: 21-0075C (PDF) Use pkgcode/variation: X3+2*	-40C to +125C	RoHS/Lead-Free: Lead Free Materials Analysis
LM4050AEX3-2.1-T			SC-70;3 pin;5 mm Dwg: 21-0075C (PDF) Use pkgcode/variation: X3-2*	-40C to +125C	RoHS/Lead-Free: No Materials Analysis
LM4050AEX3-2.5-T			SC-70;3 pin;5 mm Dwg: 21-0075C (PDF) Use pkgcode/variation: X3-2*	-40C to +125C	RoHS/Lead-Free: No Materials Analysis
LM4050AEX3-4.1-T			SC-70;3 pin;5 mm Dwg: 21-0075C (PDF) Use pkgcode/variation: X3-2*	-40C to +125C	RoHS/Lead-Free: No Materials Analysis
LM4050AEX3-3.3			SC-70;3 pin;5 mm Dwg: 21-0075C (PDF) Use pkgcode/variation: X3-2*	-40C to +125C	RoHS/Lead-Free: No Materials Analysis
LM4050AEX3-5.0-T			SC-70;3 pin;5 mm Dwg: 21-0075C (PDF) Use pkgcode/variation: X3-2*	-40C to +125C	RoHS/Lead-Free: No Materials Analysis
LM4050AEX3-3.0-T			SC-70;3 pin;5 mm Dwg: 21-0075C (PDF) Use pkgcode/variation: X3-2*	-40C to +125C	RoHS/Lead-Free: No Materials Analysis
LM4050AEX3-3.3+T			SC-70;3 pin;5 mm Dwg: 21-0075C (PDF) Use pkgcode/variation: X3+2*	-40C to +125C	RoHS/Lead-Free: Lead Free Materials Analysis
LM4050AEX3-3.3-T			SC-70;3 pin;5 mm Dwg: 21-0075C (PDF) Use pkgcode/variation: X3-2*	-40C to +125C	RoHS/Lead-Free: No Materials Analysis
LM4050AEX3-3.0+				-40C to +125C	RoHS/Lead-Free: See data sheet
LM4050AEX3-2.1+				-40C to +125C	RoHS/Lead-Free: See data sheet

LM4050AEX3-5.0+				-40C to +125C	RoHS/Lead-Free: See data sheet
LM4050AEM3-3.0+				-40C to +125C	RoHS/Lead-Free: See data sheet
LM4050AEM3-4.1+				-40C to +125C	RoHS/Lead-Free: See data sheet
LM4050AEM3-2.1			SOT-23;3 pin;8 mm Dwg: 21-0051H (PDF) Use pkgcode/variation: U3-1*	-40C to +125C	RoHS/Lead-Free: No Materials Analysis
LM4050AEM3-2.1+T			SOT-23;3 pin;8 mm Dwg: 21-0051H (PDF) Use pkgcode/variation: U3+1*	-40C to +125C	RoHS/Lead-Free: Lead Free Materials Analysis
LM4050AEM3-2.5+T			SOT-23;3 pin;8 mm Dwg: 21-0051H (PDF) Use pkgcode/variation: U3+1*	-40C to +125C	RoHS/Lead-Free: Lead Free Materials Analysis
LM4050AIM3-5.0			SOT-23;3 pin;8 mm Dwg: 21-0051H (PDF) Use pkgcode/variation: U3-1*	-40C to +125C	RoHS/Lead-Free: No Materials Analysis
LM4050AEM3-4.1			SOT-23;3 pin;8 mm Dwg: 21-0051H (PDF) Use pkgcode/variation: U3-1*	-40C to +125C	RoHS/Lead-Free: No Materials Analysis
LM4050AEM3-3.0+T				-40C to +125C	RoHS/Lead-Free: See data sheet
LM4050AEM3-5.0+			SOT-23;3 pin;8 mm Dwg: 21-0051H (PDF) Use pkgcode/variation: U3+1*	-40C to +125C	RoHS/Lead-Free: Lead Free Materials Analysis
LM4050AEM3-3.0			SOT-23;3 pin;8 mm Dwg: 21-0051H (PDF) Use pkgcode/variation: U3-1*	-40C to +125C	RoHS/Lead-Free: No Materials Analysis
LM4050AEM3-4.1+T				-40C to +125C	RoHS/Lead-Free: See data sheet
LM4050AEM3-2.5+			SOT-23;3 pin;8 mm Dwg: 21-0051H (PDF) Use pkgcode/variation: U3+1*	-40C to +125C	RoHS/Lead-Free: Lead Free Materials Analysis
LM4050AEM3-2.1+			SOT-23;3 pin;8 mm Dwg: 21-0051H (PDF) Use pkgcode/variation: U3+1*	-40C to +125C	RoHS/Lead-Free: Lead Free Materials Analysis
LM4050AEM3-5.0+T			SOT-23;3 pin;8 mm Dwg: 21-0051H (PDF) Use pkgcode/variation: U3+1*	-40C to +125C	RoHS/Lead-Free: Lead Free Materials Analysis
LM4050AIM3-4.1-T			SOT-23;3 pin;8 mm Dwg: 21-0051H (PDF) Use pkgcode/variation: U3-1*	-40C to +125C	RoHS/Lead-Free: No Materials Analysis
LM4050AIM3-4.1			SOT-23;3 pin;8 mm Dwg: 21-0051H (PDF) Use pkgcode/variation: U3-1*	-40C to +125C	RoHS/Lead-Free: No Materials Analysis
LM4050AEM3-5.0			SOT-23;3 pin;8 mm Dwg: 21-0051H (PDF) Use pkgcode/variation: U3-1*	-40C to +125C	RoHS/Lead-Free: No Materials Analysis
LM4050AIM3-5.0-T			SOT-23;3 pin;8 mm Dwg: 21-0051H (PDF) Use pkgcode/variation: U3-1*	-40C to +125C	RoHS/Lead-Free: No Materials Analysis
LM4050AEM3-2.5			SOT-23;3 pin;8 mm Dwg: 21-0051H (PDF) Use pkgcode/variation: U3-1*	-40C to +125C	RoHS/Lead-Free: No Materials Analysis
LM4050AIM3-2.1			SOT-23;3 pin;8 mm Dwg: 21-0051H (PDF) Use pkgcode/variation: U3-1*	-40C to +125C	RoHS/Lead-Free: No Materials Analysis
LM4050AIM3-3.0			SOT-23;3 pin;8 mm Dwg: 21-0051H (PDF) Use pkgcode/variation: U3-1*	-40C to +125C	RoHS/Lead-Free: No Materials Analysis
LM4050AIM3-2.5-T			SOT-23;3 pin;8 mm Dwg: 21-0051H (PDF) Use pkgcode/variation: U3-1*	-40C to +125C	RoHS/Lead-Free: No Materials Analysis

LM4050AIM3-2.5			SOT-23;3 pin;8 mm Dwg: 21-0051H (PDF) Use pkgcode/variation: U3-1*	-40C to +125C	RoHS/Lead-Free: No Materials Analysis
LM4050AIM3-2.1-T			SOT-23;3 pin;8 mm Dwg: 21-0051H (PDF) Use pkgcode/variation: U3-1*	-40C to +125C	RoHS/Lead-Free: No Materials Analysis
LM4050AIM3-3.0-T			SOT-23;3 pin;8 mm Dwg: 21-0051H (PDF) Use pkgcode/variation: U3-1*	-40C to +125C	RoHS/Lead-Free: No Materials Analysis
LM4050AEM3-2.1-T			SOT-23;3 pin;8 mm Dwg: 21-0051H (PDF) Use pkgcode/variation: U3-1*	-40C to +125C	RoHS/Lead-Free: No Materials Analysis
LM4050AEM3-5.0-T			SOT-23;3 pin;8 mm Dwg: 21-0051H (PDF) Use pkgcode/variation: U3-1*	-40C to +125C	RoHS/Lead-Free: No Materials Analysis
LM4050AEM3-3.0-T			SOT-23;3 pin;8 mm Dwg: 21-0051H (PDF) Use pkgcode/variation: U3-1*	-40C to +125C	RoHS/Lead-Free: No Materials Analysis
LM4050AEM3-2.5-T			SOT-23;3 pin;8 mm Dwg: 21-0051H (PDF) Use pkgcode/variation: U3-1*	-40C to +125C	RoHS/Lead-Free: No Materials Analysis
LM4050AEM3-4.1-T			SOT-23;3 pin;8 mm Dwg: 21-0051H (PDF) Use pkgcode/variation: U3-1*	-40C to +125C	RoHS/Lead-Free: No Materials Analysis
LM4050B	Free Sample	Buy	Package: TYPE PINS FOOTPRINT DRAWING CODE/VAR *	Temp	RoHS/Lead-Free? Materials Analysis
LM4050BIX3-5.0			SC-70;3 pin;5 mm Dwg: 21-0075C (PDF) Use pkgcode/variation: X3-2*	-40C to +125C	RoHS/Lead-Free: No Materials Analysis
LM4050BIX3-5.0-T			SC-70;3 pin;5 mm Dwg: 21-0075C (PDF) Use pkgcode/variation: X3-2*	-40C to +125C	RoHS/Lead-Free: No Materials Analysis
LM4050BEX3-5.0+T			SC-70;3 pin;5 mm Dwg: 21-0075C (PDF) Use pkgcode/variation: X3+2*	-40C to +125C	RoHS/Lead-Free: Lead Free Materials Analysis
LM4050BEX3-4.1+T				-40C to +125C	RoHS/Lead-Free: See data sheet
LM4050BEX3-3.0+T				-40C to +125C	RoHS/Lead-Free: See data sheet
LM4050BEX3-2.5+T				-40C to +125C	RoHS/Lead-Free: See data sheet
LM4050BIX3-4.1			SC-70;3 pin;5 mm Dwg: 21-0075C (PDF) Use pkgcode/variation: X3-2*	-40C to +125C	RoHS/Lead-Free: No Materials Analysis
LM4050BIX3-4.1-T			SC-70;3 pin;5 mm Dwg: 21-0075C (PDF) Use pkgcode/variation: X3-2*	-40C to +125C	RoHS/Lead-Free: No Materials Analysis
LM4050BEX3-4.1			SC-70;3 pin;5 mm Dwg: 21-0075C (PDF) Use pkgcode/variation: X3-2*	-40C to +125C	RoHS/Lead-Free: No Materials Analysis
LM4050BEX3-2.1+T				-40C to +125C	RoHS/Lead-Free: See data sheet
LM4050BEX3-5.0+			SC-70;3 pin;5 mm Dwg: 21-0075C (PDF) Use pkgcode/variation: X3+2*	-40C to +125C	RoHS/Lead-Free: Lead Free Materials Analysis
LM4050BEX3-5.0			SC-70;3 pin;5 mm Dwg: 21-0075C (PDF) Use pkgcode/variation: X3-2*	-40C to +125C	RoHS/Lead-Free: No Materials Analysis
LM4050BEX3-2.1			SC-70;3 pin;5 mm Dwg: 21-0075C (PDF) Use pkgcode/variation: X3-2*	-40C to +125C	RoHS/Lead-Free: No Materials Analysis
LM4050BIX3-2.1			SC-70;3 pin;5 mm Dwg: 21-0075C (PDF) Use pkgcode/variation: X3-2*	-40C to +125C	RoHS/Lead-Free: No Materials Analysis

LM4050BIX3-2.1-T			SC-70;3 pin;5 mm Dwg: 21-0075C (PDF) Use pkgcode/variation: X3-2*	-40C to +125C	RoHS/Lead-Free: No Materials Analysis
LM4050BEX3-2.5			SC-70;3 pin;5 mm Dwg: 21-0075C (PDF) Use pkgcode/variation: X3-2*	-40C to +125C	RoHS/Lead-Free: No Materials Analysis
LM4050BIX3-2.5			SC-70;3 pin;5 mm Dwg: 21-0075C (PDF) Use pkgcode/variation: X3-2*	-40C to +125C	RoHS/Lead-Free: No Materials Analysis
LM4050BIX3-2.5-T			SC-70;3 pin;5 mm Dwg: 21-0075C (PDF) Use pkgcode/variation: X3-2*	-40C to +125C	RoHS/Lead-Free: No Materials Analysis
LM4050BIX3-3.0			SC-70;3 pin;5 mm Dwg: 21-0075C (PDF) Use pkgcode/variation: X3-2*	-40C to +125C	RoHS/Lead-Free: No Materials Analysis
LM4050BIX3-3.0-T			SC-70;3 pin;5 mm Dwg: 21-0075C (PDF) Use pkgcode/variation: X3-2*	-40C to +125C	RoHS/Lead-Free: No Materials Analysis
LM4050BEX3-3.0			SC-70;3 pin;5 mm Dwg: 21-0075C (PDF) Use pkgcode/variation: X3-2*	-40C to +125C	RoHS/Lead-Free: No Materials Analysis
LM4050BEX3-2.1-T			SC-70;3 pin;5 mm Dwg: 21-0075C (PDF) Use pkgcode/variation: X3-2*	-40C to +125C	RoHS/Lead-Free: No Materials Analysis
LM4050BEX3-4.1-T			SC-70;3 pin;5 mm Dwg: 21-0075C (PDF) Use pkgcode/variation: X3-2*	-40C to +125C	RoHS/Lead-Free: No Materials Analysis
LM4050BEX3-2.5-T			SC-70;3 pin;5 mm Dwg: 21-0075C (PDF) Use pkgcode/variation: X3-2*	-40C to +125C	RoHS/Lead-Free: No Materials Analysis
LM4050BEX3-3.0-T			SC-70;3 pin;5 mm Dwg: 21-0075C (PDF) Use pkgcode/variation: X3-2*	-40C to +125C	RoHS/Lead-Free: No Materials Analysis
LM4050BEX3-5.0-T			SC-70;3 pin;5 mm Dwg: 21-0075C (PDF) Use pkgcode/variation: X3-2*	-40C to +125C	RoHS/Lead-Free: No Materials Analysis
LM4050BEX3-3.3+			SC-70;3 pin;5 mm Dwg: 21-0075C (PDF) Use pkgcode/variation: X3+2*	-40C to +125C	RoHS/Lead-Free: Lead Free Materials Analysis
LM4050BEX3-3.3			SC-70;3 pin;5 mm Dwg: 21-0075C (PDF) Use pkgcode/variation: X3-2*	-40C to +125C	RoHS/Lead-Free: No Materials Analysis
LM4050BEX3-3.3-T			SC-70;3 pin;5 mm Dwg: 21-0075C (PDF) Use pkgcode/variation: X3-2*	-40C to +125C	RoHS/Lead-Free: No Materials Analysis
LM4050BEX3-3.3+T			SC-70;3 pin;5 mm Dwg: 21-0075C (PDF) Use pkgcode/variation: X3+2*	-40C to +125C	RoHS/Lead-Free: Lead Free Materials Analysis
LM4050BEX3-4.1+				-40C to +125C	RoHS/Lead-Free: See data sheet
LM4050BEX3-2.5+				-40C to +125C	RoHS/Lead-Free: See data sheet
LM4050BEX3-3.0+				-40C to +125C	RoHS/Lead-Free: See data sheet
LM4050BEX3-2.1+				-40C to +125C	RoHS/Lead-Free: See data sheet
LM4050BEM3-3.0+				-40C to +125C	RoHS/Lead-Free: See data sheet
LM4050BEM3-2.1+				-40C to +125C	RoHS/Lead-Free: See data sheet
LM4050BEM3-2.1			SOT-23;3 pin;8 mm Dwg: 21-0051H (PDF) Use pkgcode/variation: U3-1*	-40C to +125C	RoHS/Lead-Free: No Materials Analysis

LM4050BEM3-2.5			SOT-23;3 pin;8 mm Dwg: 21-0051H (PDF) Use pkgcode/variation: U3-1*	-40C to +125C	RoHS/Lead-Free: No Materials Analysis
LM4050BIM3-5.0			SOT-23;3 pin;8 mm Dwg: 21-0051H (PDF) Use pkgcode/variation: U3-1*	-40C to +125C	RoHS/Lead-Free: No Materials Analysis
LM4050BEM3-3.0			SOT-23;3 pin;8 mm Dwg: 21-0051H (PDF) Use pkgcode/variation: U3-1*	-40C to +125C	RoHS/Lead-Free: No Materials Analysis
LM4050BIM3-4.1-T			SOT-23;3 pin;8 mm Dwg: 21-0051H (PDF) Use pkgcode/variation: U3-1*	-40C to +125C	RoHS/Lead-Free: No Materials Analysis
LM4050BEM3-4.1			SOT-23;3 pin;8 mm Dwg: 21-0051H (PDF) Use pkgcode/variation: U3-1*	-40C to +125C	RoHS/Lead-Free: No Materials Analysis
LM4050BEM3-4.1+			SOT-23;3 pin;8 mm Dwg: 21-0051H (PDF) Use pkgcode/variation: U3+1*	-40C to +125C	RoHS/Lead-Free: Lead Free Materials Analysis
LM4050BEM3-5.0			SOT-23;3 pin;8 mm Dwg: 21-0051H (PDF) Use pkgcode/variation: U3-1*	-40C to +125C	RoHS/Lead-Free: No Materials Analysis
LM4050BEM3-5.0+			SOT-23;3 pin;8 mm Dwg: 21-0051H (PDF) Use pkgcode/variation: U3+1*	-40C to +125C	RoHS/Lead-Free: Lead Free Materials Analysis
LM4050BIM3-5.0-T			SOT-23;3 pin;8 mm Dwg: 21-0051H (PDF) Use pkgcode/variation: U3-1*	-40C to +125C	RoHS/Lead-Free: No Materials Analysis
LM4050BIM3-4.1			SOT-23;3 pin;8 mm Dwg: 21-0051H (PDF) Use pkgcode/variation: U3-1*	-40C to +125C	RoHS/Lead-Free: No Materials Analysis
LM4050BEM3-2.5+			SOT-23;3 pin;8 mm Dwg: 21-0051H (PDF) Use pkgcode/variation: U3+1*	-40C to +125C	RoHS/Lead-Free: Lead Free Materials Analysis
LM4050BEM3-4.1+T			SOT-23;3 pin;8 mm Dwg: 21-0051H (PDF) Use pkgcode/variation: U3+1*	-40C to +125C	RoHS/Lead-Free: Lead Free Materials Analysis
LM4050BEM3-5.0+T			SOT-23;3 pin;8 mm Dwg: 21-0051H (PDF) Use pkgcode/variation: U3+1*	-40C to +125C	RoHS/Lead-Free: Lead Free Materials Analysis
LM4050BIM3-2.1			SOT-23;3 pin;8 mm Dwg: 21-0051H (PDF) Use pkgcode/variation: U3-1*	-40C to +125C	RoHS/Lead-Free: No Materials Analysis
LM4050BIM3-2.1-T			SOT-23;3 pin;8 mm Dwg: 21-0051H (PDF) Use pkgcode/variation: U3-1*	-40C to +125C	RoHS/Lead-Free: No Materials Analysis
LM4050BIM3-2.5			SOT-23;3 pin;8 mm Dwg: 21-0051H (PDF) Use pkgcode/variation: U3-1*	-40C to +125C	RoHS/Lead-Free: No Materials Analysis
LM4050BIM3-2.5-T			SOT-23;3 pin;8 mm Dwg: 21-0051H (PDF) Use pkgcode/variation: U3-1*	-40C to +125C	RoHS/Lead-Free: No Materials Analysis
LM4050BIM3-3.0			SOT-23;3 pin;8 mm Dwg: 21-0051H (PDF) Use pkgcode/variation: U3-1*	-40C to +125C	RoHS/Lead-Free: No Materials Analysis
LM4050BIM3-3.0-T			SOT-23;3 pin;8 mm Dwg: 21-0051H (PDF) Use pkgcode/variation: U3-1*	-40C to +125C	RoHS/Lead-Free: No Materials Analysis
LM4050BEM3-3.0+T				-40C to +125C	RoHS/Lead-Free: See data sheet
LM4050BEM3-2.5+T			SOT-23;3 pin;8 mm Dwg: 21-0051H (PDF) Use pkgcode/variation: U3+1*	-40C to +125C	RoHS/Lead-Free: Lead Free Materials Analysis
LM4050BEM3-2.1+T				-40C to +125C	RoHS/Lead-Free: See data sheet
LM4050BIM3-5.0+			SOT-23;3 pin;8 mm Dwg: 21-0051H (PDF) Use pkgcode/variation: U3+1*	-40C to +125C	RoHS/Lead-Free: Lead Free Materials Analysis

LM4050BIM3-4.1+			SOT-23;3 pin;8 mm Dwg: 21-0051H (PDF) Use pkgcode/variation: U3+1*	-40C to +125C	RoHS/Lead-Free: Lead Free Materials Analysis
LM4050BEM3-2.5-T			SOT-23;3 pin;8 mm Dwg: 21-0051H (PDF) Use pkgcode/variation: U3-1*	-40C to +125C	RoHS/Lead-Free: No Materials Analysis
LM4050BEM3-5.0-T			SOT-23;3 pin;8 mm Dwg: 21-0051H (PDF) Use pkgcode/variation: U3-1*	-40C to +125C	RoHS/Lead-Free: No Materials Analysis
LM4050BEM3-4.1-T			SOT-23;3 pin;8 mm Dwg: 21-0051H (PDF) Use pkgcode/variation: U3-1*	-40C to +125C	RoHS/Lead-Free: No Materials Analysis
LM4050BEM3-3.0-T			SOT-23;3 pin;8 mm Dwg: 21-0051H (PDF) Use pkgcode/variation: U3-1*	-40C to +125C	RoHS/Lead-Free: No Materials Analysis
LM4050BEM3-2.1-T			SOT-23;3 pin;8 mm Dwg: 21-0051H (PDF) Use pkgcode/variation: U3-1*	-40C to +125C	RoHS/Lead-Free: No Materials Analysis
LM4050BIM3-5.0+T			SOT-23;3 pin;8 mm Dwg: 21-0051H (PDF) Use pkgcode/variation: U3+1*	-40C to +125C	RoHS/Lead-Free: Lead Free Materials Analysis
LM4050BIM3-4.1+T			SOT-23;3 pin;8 mm Dwg: 21-0051H (PDF) Use pkgcode/variation: U3+1*	-40C to +125C	RoHS/Lead-Free: Lead Free Materials Analysis
LM4050C	Free Sample	Buy	Package: TYPE PINS FOOTPRINT DRAWING CODE/VAR *	Temp	RoHS/Lead-Free? Materials Analysis
LM4050CEX3-2.5			SC-70;3 pin;5 mm Dwg: 21-0075C (PDF) Use pkgcode/variation: X3-2*	-40C to +125C	RoHS/Lead-Free: No Materials Analysis
LM4050CEX3-3.0			SC-70;3 pin;5 mm Dwg: 21-0075C (PDF) Use pkgcode/variation: X3-2*	-40C to +125C	RoHS/Lead-Free: No Materials Analysis
LM4050CEX3-4.1			SC-70;3 pin;5 mm Dwg: 21-0075C (PDF) Use pkgcode/variation: X3-2*	-40C to +125C	RoHS/Lead-Free: No Materials Analysis
LM4050CEX3-5.0			SC-70;3 pin;5 mm Dwg: 21-0075C (PDF) Use pkgcode/variation: X3-2*	-40C to +125C	RoHS/Lead-Free: No Materials Analysis
LM4050CIX3-5.0			SC-70;3 pin;5 mm Dwg: 21-0075C (PDF) Use pkgcode/variation: X3-2*	-40C to +125C	RoHS/Lead-Free: No Materials Analysis
LM4050CIX3-4.1-T			SC-70;3 pin;5 mm Dwg: 21-0075C (PDF) Use pkgcode/variation: X3-2*	-40C to +125C	RoHS/Lead-Free: No Materials Analysis
LM4050CIX3-4.1			SC-70;3 pin;5 mm Dwg: 21-0075C (PDF) Use pkgcode/variation: X3-2*	-40C to +125C	RoHS/Lead-Free: No Materials Analysis
LM4050CIX3-3.0-T			SC-70;3 pin;5 mm Dwg: 21-0075C (PDF) Use pkgcode/variation: X3-2*	-40C to +125C	RoHS/Lead-Free: No Materials Analysis
LM4050CIX3-3.0			SC-70;3 pin;5 mm Dwg: 21-0075C (PDF) Use pkgcode/variation: X3-2*	-40C to +125C	RoHS/Lead-Free: No Materials Analysis
LM4050CIX3-2.5			SC-70;3 pin;5 mm Dwg: 21-0075C (PDF) Use pkgcode/variation: X3-2*	-40C to +125C	RoHS/Lead-Free: No Materials Analysis
LM4050CIX3-2.1-T			SC-70;3 pin;5 mm Dwg: 21-0075C (PDF) Use pkgcode/variation: X3-2*	-40C to +125C	RoHS/Lead-Free: No Materials Analysis
LM4050CIX3-2.1			SC-70;3 pin;5 mm Dwg: 21-0075C (PDF) Use pkgcode/variation: X3-2*	-40C to +125C	RoHS/Lead-Free: No Materials Analysis
LM4050CIX3-5.0-T			SC-70;3 pin;5 mm Dwg: 21-0075C (PDF) Use pkgcode/variation: X3-2*	-40C to +125C	RoHS/Lead-Free: No Materials Analysis
LM4050CEX3-2.1			SC-70;3 pin;5 mm Dwg: 21-0075C (PDF) Use pkgcode/variation: X3-2*	-40C to +125C	RoHS/Lead-Free: No Materials Analysis

LM4050CEX3-2.5+T				-40C to +125C	RoHS/Lead-Free: See data sheet
LM4050CEX3-5.0+T				-40C to +125C	RoHS/Lead-Free: See data sheet
LM4050CEX3-4.1+T				-40C to +125C	RoHS/Lead-Free: See data sheet
LM4050CEX3-3.0+T				-40C to +125C	RoHS/Lead-Free: See data sheet
LM4050CEX3-2.1+T				-40C to +125C	RoHS/Lead-Free: See data sheet
LM4050CIX3-2.5-T			SC-70;3 pin;5 mm Dwg: 21-0075C (PDF) Use pkgcode/variation: X3-2*	-40C to +125C	RoHS/Lead-Free: No Materials Analysis
LM4050CEX3-2.1-T			SC-70;3 pin;5 mm Dwg: 21-0075C (PDF) Use pkgcode/variation: X3-2*	-40C to +125C	RoHS/Lead-Free: No Materials Analysis
LM4050CEX3-5.0-T			SC-70;3 pin;5 mm Dwg: 21-0075C (PDF) Use pkgcode/variation: X3-2*	-40C to +125C	RoHS/Lead-Free: No Materials Analysis
LM4050CEX3-4.1-T			SC-70;3 pin;5 mm Dwg: 21-0075C (PDF) Use pkgcode/variation: X3-2*	-40C to +125C	RoHS/Lead-Free: No Materials Analysis
LM4050CEX3-3.0-T			SC-70;3 pin;5 mm Dwg: 21-0075C (PDF) Use pkgcode/variation: X3-2*	-40C to +125C	RoHS/Lead-Free: No Materials Analysis
LM4050CEX3-2.5-T			SC-70;3 pin;5 mm Dwg: 21-0075C (PDF) Use pkgcode/variation: X3-2*	-40C to +125C	RoHS/Lead-Free: No Materials Analysis
LM4050CEX3-3.3			SC-70;3 pin;5 mm Dwg: 21-0075C (PDF) Use pkgcode/variation: X3-2*	-40C to +125C	RoHS/Lead-Free: No Materials Analysis
LM4050CEX3-3.3-T			SC-70;3 pin;5 mm Dwg: 21-0075C (PDF) Use pkgcode/variation: X3-2*	-40C to +125C	RoHS/Lead-Free: No Materials Analysis
LM4050CEX3-3.3+T				-40C to +125C	RoHS/Lead-Free: See data sheet
LM4050CEX3-2.1+				-40C to +125C	RoHS/Lead-Free: See data sheet
LM4050CEX3-3.0+				-40C to +125C	RoHS/Lead-Free: See data sheet
LM4050CEX3-4.1+				-40C to +125C	RoHS/Lead-Free: See data sheet
LM4050CEX3-2.5+				-40C to +125C	RoHS/Lead-Free: See data sheet
LM4050CEX3-5.0+				-40C to +125C	RoHS/Lead-Free: See data sheet
LM4050CEX3-3.3+				-40C to +125C	RoHS/Lead-Free: See data sheet
LM4050CEM3-3.0+				-40C to +125C	RoHS/Lead-Free: See data sheet
LM4050CIM3-5.0			SOT-23;3 pin;8 mm Dwg: 21-0051H (PDF) Use pkgcode/variation: U3-1*	-40C to +125C	RoHS/Lead-Free: No Materials Analysis
LM4050CIM3-4.1-T			SOT-23;3 pin;8 mm Dwg: 21-0051H (PDF) Use pkgcode/variation: U3-1*	-40C to +125C	RoHS/Lead-Free: No Materials Analysis

LM4050CIM3-4.1			SOT-23;3 pin;8 mm Dwg: 21-0051H (PDF) Use pkgcode/variation: U3-1*	-40C to +125C	RoHS/Lead-Free: No Materials Analysis
LM4050CIM3-3.0-T			SOT-23;3 pin;8 mm Dwg: 21-0051H (PDF) Use pkgcode/variation: U3-1*	-40C to +125C	RoHS/Lead-Free: No Materials Analysis
LM4050CIM3-3.0			SOT-23;3 pin;8 mm Dwg: 21-0051H (PDF) Use pkgcode/variation: U3-1*	-40C to +125C	RoHS/Lead-Free: No Materials Analysis
LM4050CIM3-2.5-T			SOT-23;3 pin;8 mm Dwg: 21-0051H (PDF) Use pkgcode/variation: U3-1*	-40C to +125C	RoHS/Lead-Free: No Materials Analysis
LM4050CIM3-2.5			SOT-23;3 pin;8 mm Dwg: 21-0051H (PDF) Use pkgcode/variation: U3-1*	-40C to +125C	RoHS/Lead-Free: No Materials Analysis
LM4050CIM3-2.1-T			SOT-23;3 pin;8 mm Dwg: 21-0051H (PDF) Use pkgcode/variation: U3-1*	-40C to +125C	RoHS/Lead-Free: No Materials Analysis
LM4050CIM3-2.1			SOT-23;3 pin;8 mm Dwg: 21-0051H (PDF) Use pkgcode/variation: U3-1*	-40C to +125C	RoHS/Lead-Free: No Materials Analysis
LM4050CIM3-5.0-T			SOT-23;3 pin;8 mm Dwg: 21-0051H (PDF) Use pkgcode/variation: U3-1*	-40C to +125C	RoHS/Lead-Free: No Materials Analysis
LM4050CEM3-5.0+T			SOT-23;3 pin;8 mm Dwg: 21-0051H (PDF) Use pkgcode/variation: U3+1*	-40C to +125C	RoHS/Lead-Free: Lead Free Materials Analysis
LM4050CEM3-3.0+T				-40C to +125C	RoHS/Lead-Free: See data sheet
LM4050CEM3-2.5+T			SOT-23;3 pin;8 mm Dwg: 21-0051H (PDF) Use pkgcode/variation: U3+1*	-40C to +125C	RoHS/Lead-Free: Lead Free Materials Analysis
LM4050CEM3-2.1+T			SOT-23;3 pin;8 mm Dwg: 21-0051H (PDF) Use pkgcode/variation: U3+1*	-40C to +125C	RoHS/Lead-Free: Lead Free Materials Analysis
LM4050CEM3-2.1			SOT-23;3 pin;8 mm Dwg: 21-0051H (PDF) Use pkgcode/variation: U3-1*	-40C to +125C	RoHS/Lead-Free: No Materials Analysis
LM4050CEM3-2.1+			SOT-23;3 pin;8 mm Dwg: 21-0051H (PDF) Use pkgcode/variation: U3+1*	-40C to +125C	RoHS/Lead-Free: Lead Free Materials Analysis
LM4050CEM3-2.5			SOT-23;3 pin;8 mm Dwg: 21-0051H (PDF) Use pkgcode/variation: U3-1*	-40C to +125C	RoHS/Lead-Free: No Materials Analysis
LM4050CEM3-2.5+			SOT-23;3 pin;8 mm Dwg: 21-0051H (PDF) Use pkgcode/variation: U3+1*	-40C to +125C	RoHS/Lead-Free: Lead Free Materials Analysis
LM4050CEM3-5.0			SOT-23;3 pin;8 mm Dwg: 21-0051H (PDF) Use pkgcode/variation: U3-1*	-40C to +125C	RoHS/Lead-Free: No Materials Analysis
LM4050CEM3-3.0			SOT-23;3 pin;8 mm Dwg: 21-0051H (PDF) Use pkgcode/variation: U3-1*	-40C to +125C	RoHS/Lead-Free: No Materials Analysis
LM4050CEM3-5.0+			SOT-23;3 pin;8 mm Dwg: 21-0051H (PDF) Use pkgcode/variation: U3+1*	-40C to +125C	RoHS/Lead-Free: Lead Free Materials Analysis
LM4050CEM3-4.1			SOT-23;3 pin;8 mm Dwg: 21-0051H (PDF) Use pkgcode/variation: U3-1*	-40C to +125C	RoHS/Lead-Free: No Materials Analysis
LM4050CEM3-4.1+			SOT-23;3 pin;8 mm Dwg: 21-0051H (PDF) Use pkgcode/variation: U3+1*	-40C to +125C	RoHS/Lead-Free: Lead Free Materials Analysis
LM4050CEM3-4.1+T			SOT-23;3 pin;8 mm Dwg: 21-0051H (PDF) Use pkgcode/variation: U3+1*	-40C to +125C	RoHS/Lead-Free: Lead Free Materials Analysis
LM4050CEM3-5.0-T			SOT-23;3 pin;8 mm Dwg: 21-0051H (PDF) Use pkgcode/variation: U3-1*	-40C to +125C	RoHS/Lead-Free: No Materials Analysis

LM4050CEM3-4.1-T			SOT-23;3 pin;8 mm Dwg: 21-0051H (PDF) Use pkgcode/variation: U3-1*	-40C to +125C	RoHS/Lead-Free: No Materials Analysis
LM4050CIM3-5.0+			SOT-23;3 pin;8 mm Dwg: 21-0051H (PDF) Use pkgcode/variation: U3+1*	-40C to +125C	RoHS/Lead-Free: Lead Free Materials Analysis
LM4050CEM3-2.1-T			SOT-23;3 pin;8 mm Dwg: 21-0051H (PDF) Use pkgcode/variation: U3-1*	-40C to +125C	RoHS/Lead-Free: No Materials Analysis
LM4050CEM3-2.5-T			SOT-23;3 pin;8 mm Dwg: 21-0051H (PDF) Use pkgcode/variation: U3-1*	-40C to +125C	RoHS/Lead-Free: No Materials Analysis
LM4050CEM3-3.0-T			SOT-23;3 pin;8 mm Dwg: 21-0051H (PDF) Use pkgcode/variation: U3-1*	-40C to +125C	RoHS/Lead-Free: No Materials Analysis
LM4050CIM3-4.1+			SOT-23;3 pin;8 mm Dwg: 21-0051H (PDF) Use pkgcode/variation: U3+1*	-40C to +125C	RoHS/Lead-Free: Lead Free Materials Analysis
LM4050CIM3-5.0+T			SOT-23;3 pin;8 mm Dwg: 21-0051H (PDF) Use pkgcode/variation: U3+1*	-40C to +125C	RoHS/Lead-Free: Lead Free Materials Analysis
LM4050CIM3-4.1+T			SOT-23;3 pin;8 mm Dwg: 21-0051H (PDF) Use pkgcode/variation: U3+1*	-40C to +125C	RoHS/Lead-Free: Lead Free Materials Analysis
LM4051A	Free Sample	Buy	Package: TYPE PINS FOOTPRINT DRAWING CODE/VAR *	Temp	RoHS/Lead-Free? Materials Analysis
LM4051AEX3-1.2			SC-70;3 pin;5 mm Dwg: 21-0075C (PDF) Use pkgcode/variation: X3-2*	-40C to +125C	RoHS/Lead-Free: No Materials Analysis
LM4051AEX3-1.2+T				-40C to +125C	RoHS/Lead-Free: See data sheet
LM4051AEX3-1.2-T			SC-70;3 pin;5 mm Dwg: 21-0075C (PDF) Use pkgcode/variation: X3-2*	-40C to +125C	RoHS/Lead-Free: No Materials Analysis
LM4051AIX3-1.2			SC-70;3 pin;5 mm Dwg: 21-0075C (PDF) Use pkgcode/variation: X3-2*	-40C to +125C	RoHS/Lead-Free: No Materials Analysis
LM4051AIX3-1.2-T			SC-70;3 pin;5 mm Dwg: 21-0075C (PDF) Use pkgcode/variation: X3-2*	-40C to +125C	RoHS/Lead-Free: No Materials Analysis
LM4051AEX3-1.2+				-40C to +125C	RoHS/Lead-Free: See data sheet
LM4051AEM3-1.2			SOT-23;3 pin;8 mm Dwg: 21-0051H (PDF) Use pkgcode/variation: U3-1*	-40C to +125C	RoHS/Lead-Free: No Materials Analysis
LM4051AEM3-1.2+			SOT-23;3 pin;8 mm Dwg: 21-0051H (PDF) Use pkgcode/variation: U3+1*	-40C to +125C	RoHS/Lead-Free: Lead Free Materials Analysis
LM4051AEM3-1.2-T			SOT-23;3 pin;8 mm Dwg: 21-0051H (PDF) Use pkgcode/variation: U3-1*	-40C to +125C	RoHS/Lead-Free: No Materials Analysis
LM4051AEM3-1.2+T			SOT-23;3 pin;8 mm Dwg: 21-0051H (PDF) Use pkgcode/variation: U3+1*	-40C to +125C	RoHS/Lead-Free: Lead Free Materials Analysis
LM4051AIM3-1.2+			SOT-23;3 pin;8 mm Dwg: 21-0051H (PDF) Use pkgcode/variation: U3+1*	-40C to +125C	RoHS/Lead-Free: Lead Free Materials Analysis
LM4051AIM3-1.2			SOT-23;3 pin;8 mm Dwg: 21-0051H (PDF) Use pkgcode/variation: U3-1*	-40C to +125C	RoHS/Lead-Free: No Materials Analysis
LM4051AIM3-1.2+T			SOT-23;3 pin;8 mm Dwg: 21-0051H (PDF) Use pkgcode/variation: U3+1*	-40C to +125C	RoHS/Lead-Free: Lead Free Materials Analysis
LM4051AIM3-1.2-T			SOT-23;3 pin;8 mm Dwg: 21-0051H (PDF) Use pkgcode/variation: U3-1*	-40C to +125C	RoHS/Lead-Free: No Materials Analysis

LM4051B	Free Sample	Buy	Package: TYPE PINS FOOTPRINT DRAWING CODE/VAR *	Temp	RoHS/Lead-Free? Materials Analysis
LM4051BEX3-1.2			SC-70;3 pin;5 mm Dwg: 21-0075C (PDF) Use pkgcode/variation: X3-2*	-40C to +125C	RoHS/Lead-Free: No Materials Analysis
LM4051BEX3-1.2-T			SC-70;3 pin;5 mm Dwg: 21-0075C (PDF) Use pkgcode/variation: X3-2*	-40C to +125C	RoHS/Lead-Free: No Materials Analysis
LM4051BEX3-1.2+T				-40C to +125C	RoHS/Lead-Free: See data sheet
LM4051BIX3-1.2			SC-70;3 pin;5 mm Dwg: 21-0075C (PDF) Use pkgcode/variation: X3-2*	-40C to +125C	RoHS/Lead-Free: No Materials Analysis
LM4051BIX3-1.2-T			SC-70;3 pin;5 mm Dwg: 21-0075C (PDF) Use pkgcode/variation: X3-2*	-40C to +125C	RoHS/Lead-Free: No Materials Analysis
LM4051BEX3-1.2+				-40C to +125C	RoHS/Lead-Free: See data sheet
LM4051BEM3-1.2+				-40C to +125C	RoHS/Lead-Free: See data sheet
LM4051BEM3-1.2+T				-40C to +125C	RoHS/Lead-Free: See data sheet
LM4051BEM3-1.2			SOT-23;3 pin;8 mm Dwg: 21-0051H (PDF) Use pkgcode/variation: U3-1*	-40C to +125C	RoHS/Lead-Free: No Materials Analysis
LM4051BEM3-1.2-T			SOT-23;3 pin;8 mm Dwg: 21-0051H (PDF) Use pkgcode/variation: U3-1*	-40C to +125C	RoHS/Lead-Free: No Materials Analysis
LM4051BIM3-1.2			SOT-23;3 pin;8 mm Dwg: 21-0051H (PDF) Use pkgcode/variation: U3-1*	-40C to +125C	RoHS/Lead-Free: No Materials Analysis
LM4051BIM3-1.2-T			SOT-23;3 pin;8 mm Dwg: 21-0051H (PDF) Use pkgcode/variation: U3-1*	-40C to +125C	RoHS/Lead-Free: No Materials Analysis
LM4051C	Free Sample	Buy	Package: TYPE PINS FOOTPRINT DRAWING CODE/VAR *	Temp	RoHS/Lead-Free? Materials Analysis
LM4051CEX3-1.2			SC-70;3 pin;5 mm Dwg: 21-0075C (PDF) Use pkgcode/variation: X3-2*	-40C to +125C	RoHS/Lead-Free: No Materials Analysis
LM4051CEX3-1.2-T			SC-70;3 pin;5 mm Dwg: 21-0075C (PDF) Use pkgcode/variation: X3-2*	-40C to +125C	RoHS/Lead-Free: No Materials Analysis
LM4051CEX3-1.2+T				-40C to +125C	RoHS/Lead-Free: See data sheet
LM4051CIX3-1.2+			SC-70;3 pin;5 mm Dwg: 21-0075C (PDF) Use pkgcode/variation: X3+2*	-40C to +125C	RoHS/Lead-Free: Lead Free Materials Analysis
LM4051CIX3-1.2			SC-70;3 pin;5 mm Dwg: 21-0075C (PDF) Use pkgcode/variation: X3-2*	-40C to +125C	RoHS/Lead-Free: No Materials Analysis
LM4051CIX3-1.2-T			SC-70;3 pin;5 mm Dwg: 21-0075C (PDF) Use pkgcode/variation: X3-2*	-40C to +125C	RoHS/Lead-Free: No Materials Analysis
LM4051CIX3-1.2+T			SC-70;3 pin;5 mm Dwg: 21-0075C (PDF) Use pkgcode/variation: X3+2*	-40C to +125C	RoHS/Lead-Free: Lead Free Materials Analysis
LM4051CEX3-1.2+				-40C to +125C	RoHS/Lead-Free: See data sheet
LM4051CEM3-1.2+				-40C to +125C	RoHS/Lead-Free: See data sheet

LM4051CEM3-1.2+T				-40C to +125C	RoHS/Lead-Free: See data sheet
LM4051CEM3-1.2-T			SOT-23;3 pin;8 mm Dwg: 21-0051H (PDF) Use pkgcode/variation: U3-1*	-40C to +125C	RoHS/Lead-Free: No Materials Analysis
LM4051CEM3-1.2			SOT-23;3 pin;8 mm Dwg: 21-0051H (PDF) Use pkgcode/variation: U3-1*	-40C to +125C	RoHS/Lead-Free: No Materials Analysis
LM4051CIM3-1.2			SOT-23;3 pin;8 mm Dwg: 21-0051H (PDF) Use pkgcode/variation: U3-1*	-40C to +125C	RoHS/Lead-Free: No Materials Analysis
LM4051CIM3-1.2-T			SOT-23;3 pin;8 mm Dwg: 21-0051H (PDF) Use pkgcode/variation: U3-1*	-40C to +125C	RoHS/Lead-Free: No Materials Analysis

Didn't Find What You Need?

- [Next Day Product Selection Assistance from Applications Engineers](#)
- [Parametric Search](#)
- [Applications Help](#)

QuickView

[Description](#)
[Key Features](#)
[Applications/Uses](#)
[Key Specifications](#)
[Diagram](#)

Technical Documents

[Data Sheet](#)
[Application Notes](#)
[Design Guides](#)
[Engineering Journals](#)
[Reliability Reports](#)
[Software/Models](#)
[Evaluation Kits](#)

Ordering Info

[Price and Availability](#)
[Samples](#)
[Buy Online](#)
[Package Information](#)
[Lead-Free Information](#)

More Information

[Related Products](#)
[Notes and Comments](#)
[Evaluation Kits](#)

Document Ref.: 19-2563; Rev 3; 2006-05-15
This page last modified: 2007-08-28

[CONTACT US: SEND US AN EMAIL](#)