

MOLEX P/N	LENGTH [M]	TOL [mm]	AWG
1003461056	0.5	±50	30
1003461076	0.75	±50	30
1003461106	1.0	±50	30
1003461156	1.5	±80	30
1003461206	2.0	±80	30
1003461256	2.5	±80	30
1003461306	3.0	±80	30
1003463156	1.5	±80	26
1003463206	2.0	±80	26
1003463306	3.0	±80	26
1003463506	5.0	±80	26

\*30AWG CABLES SHORTER THAN 1.0M, DO NOT MEET ALL ELECTRICAL PARAMETER of IEEE802.3BJ.

- NOTES:
- CABLE LENGTH DEPENDS ON WIRE GAUGE, DATA RATE, AND HOST BOARD DRIVER CAPABILITIES
  - MATERIALS:  
 BACKSHELLS - ZINC DIE CAST WITH BRIGHT NICKEL PLATING  
 DELATCH - STAINLESS STEEL WITH OVERMOLDED NYLON  
 RIVETS - STAINLESS STEEL  
 RAW CABLE - LOW SMOKE ZERO HALOGEN
  - IMPEDANCE - 100 OHMS DIFFERENTIAL
  - 'P1' LABEL REQUIRED ON zQ END, 'P2' & 'P3' LABELS REQUIRED ON BOTH 2zQ ENDS
  - RoHS COMPLIANT, NO EXEMPTIONS
  - EEPROM COMPLIANT TO SFF-8636 REV 2.7
  - EEPROM MAP AVAILABLE UPON REQUEST

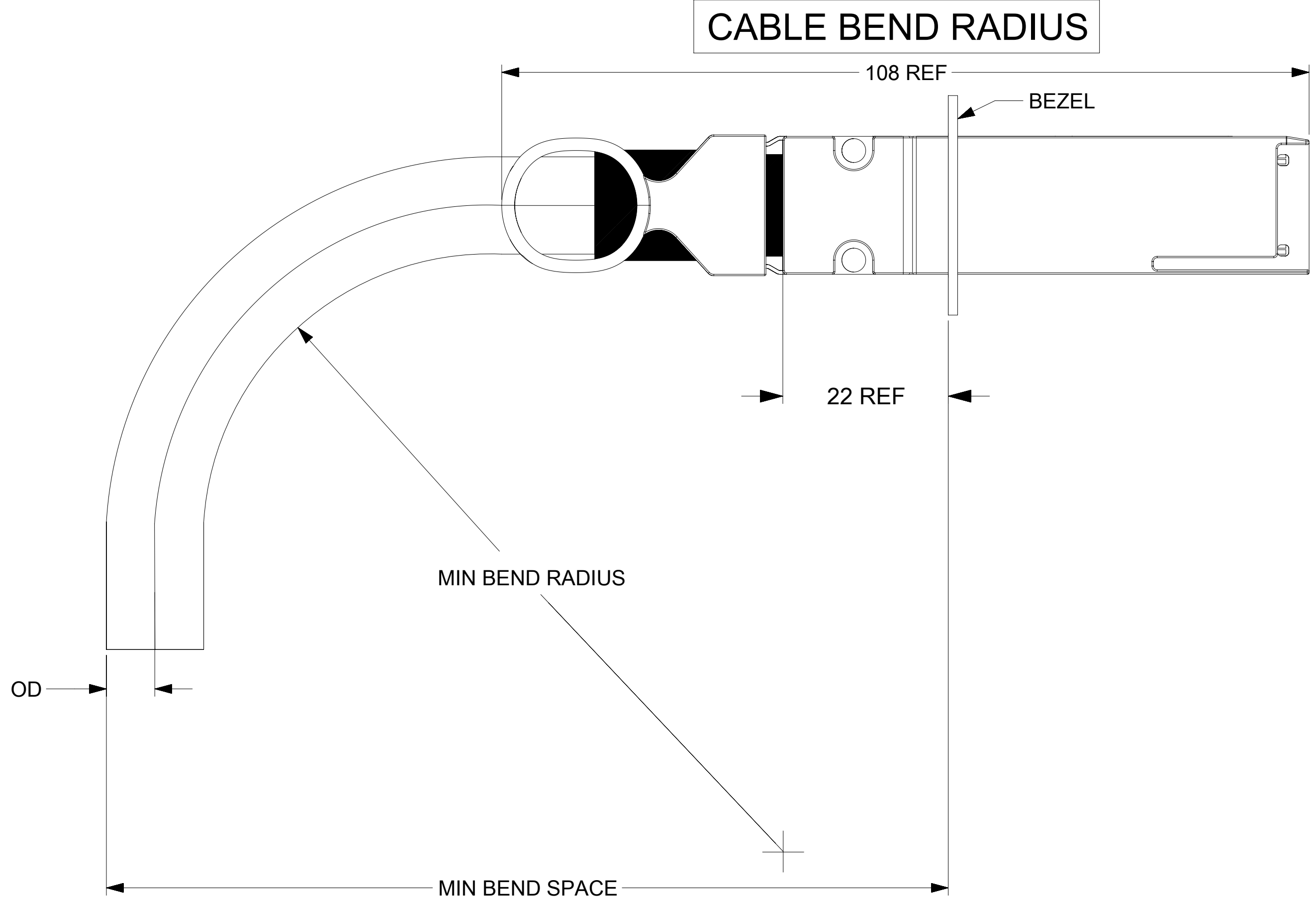
SYMBOLS	THIS DRAWING CONTAINS INFORMATION THAT IS PROPRIETARY TO MOLEX ELECTRONIC TECHNOLOGIES, LLC AND SHOULD NOT BE USED WITHOUT WRITTEN PERMISSION		CURRENT REV DESC: UPDATED LEG LABEL		
	DIMENSION UNITS	SCALE			
▽ = 0	mm	2:1			
▽ = 0	GENERAL TOLERANCES (UNLESS SPECIFIED)				
▽ = 0	ANGULAR TOL ± 1.0°				
▽ = 0	4 PLACES	±	EC NO: 607196		
▽ = 0	3 PLACES	±	DRWN: GSARVADE 2018/11/06		
▽ = 0	2 PLACES	± 0.13	CHK'D: GSARVADE 2018/11/08		
▽ = 0	1 PLACE	± 0.25	APPR: KNAGANNA 2018/11/08		
□ = 0	0 PLACES	±	INITIAL REVISION:		
■ = 0	DRAFT WHERE APPLICABLE MUST REMAIN WITHIN DIMENSIONS		DRWN: MTAMBRALLI 2017/05/05		
▽ = 0	THIRD ANGLE PROJECTION		APPR: EMEDINA02 2017/11/03		
		DRAWING	SERIES		
		D-SIZE	100346		
		MATERIAL NUMBER		CUSTOMER	SHEET NUMBER
		SEE PN TABLE		GENERAL MARKET	1 OF 3

**molex**

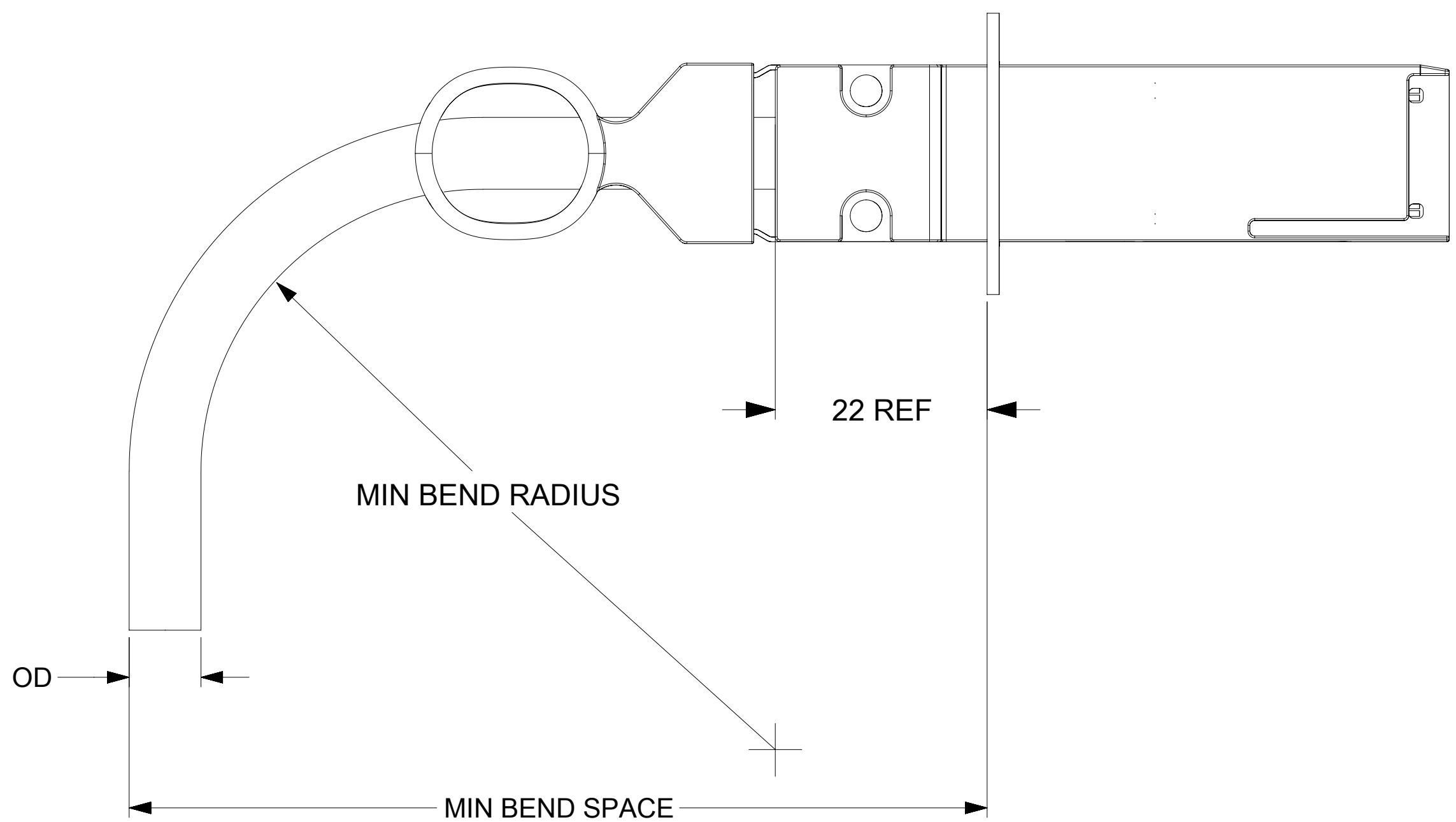
ZQSFP+ TO 2X ZQSFP+ 25G CABLE ASSEMBLY BREAKOUT CABLE ASSEMBLY

PRODUCT CUSTOMER DRAWING

DOCUMENT NUMBER: 1003461056  
 DOC TYPE: PSD  
 DOC PART: 000  
 REVISION: C



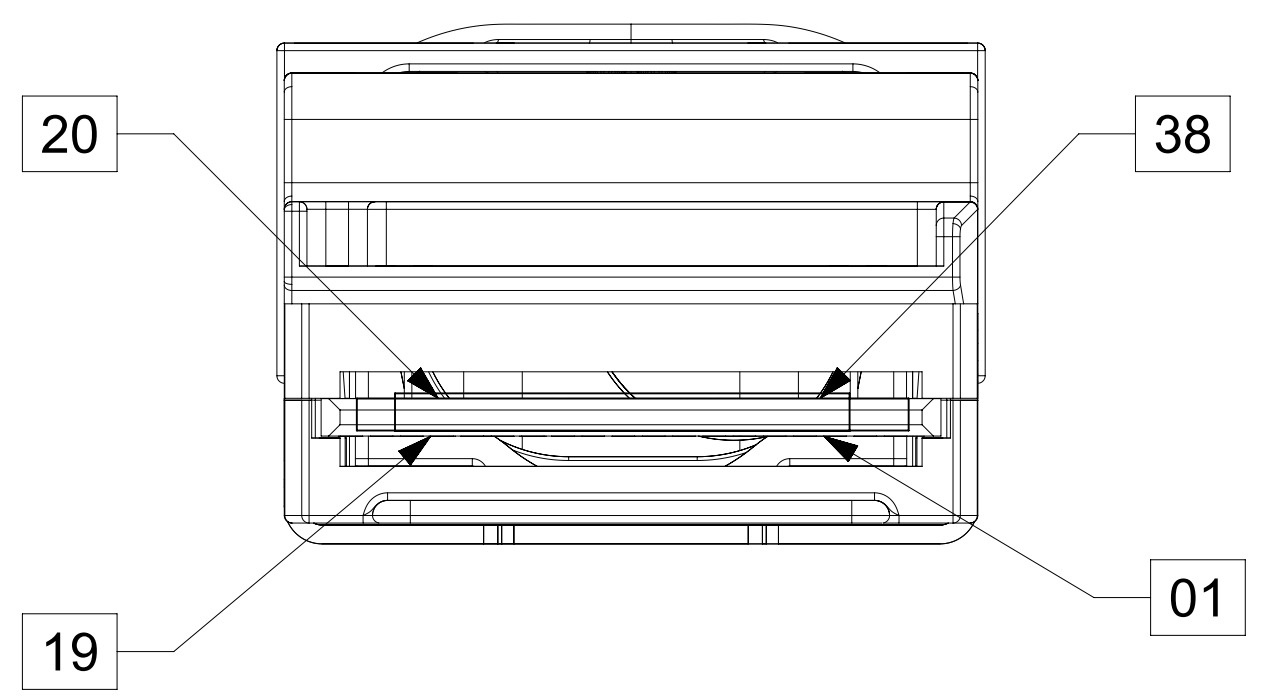
CABLE AWG	MINIMUM BEND RADIUS (mm)	MINIMUM BEND SPACE (mm)
30	TBD	TBD
26	TBD	TBD



CABLE AWG	MINIMUM BEND RADIUS (mm)	MINIMUM BEND SPACE (mm)
30	28	55
26	36	66

NOTES:  
 1. DC BLOCKING CAPS ON RECEIVE SIDE ONLY  
 2. CABLE COILED AND PACKAGED IN BEST FIT ESD BAG AND SEALED WITH ESD LABEL FOR SHIPPING.

**PINOUT**



**LOW SPEED SIGNALS  
P1, P2 & P3**

PAD	SIGNAL
08	ModSelL
09	ResetL
10	VccRx
11	SCL
12	SDA
27	ModPrsL
28	IntL
29	VccTx
30	Vcc1
31	LPMODE

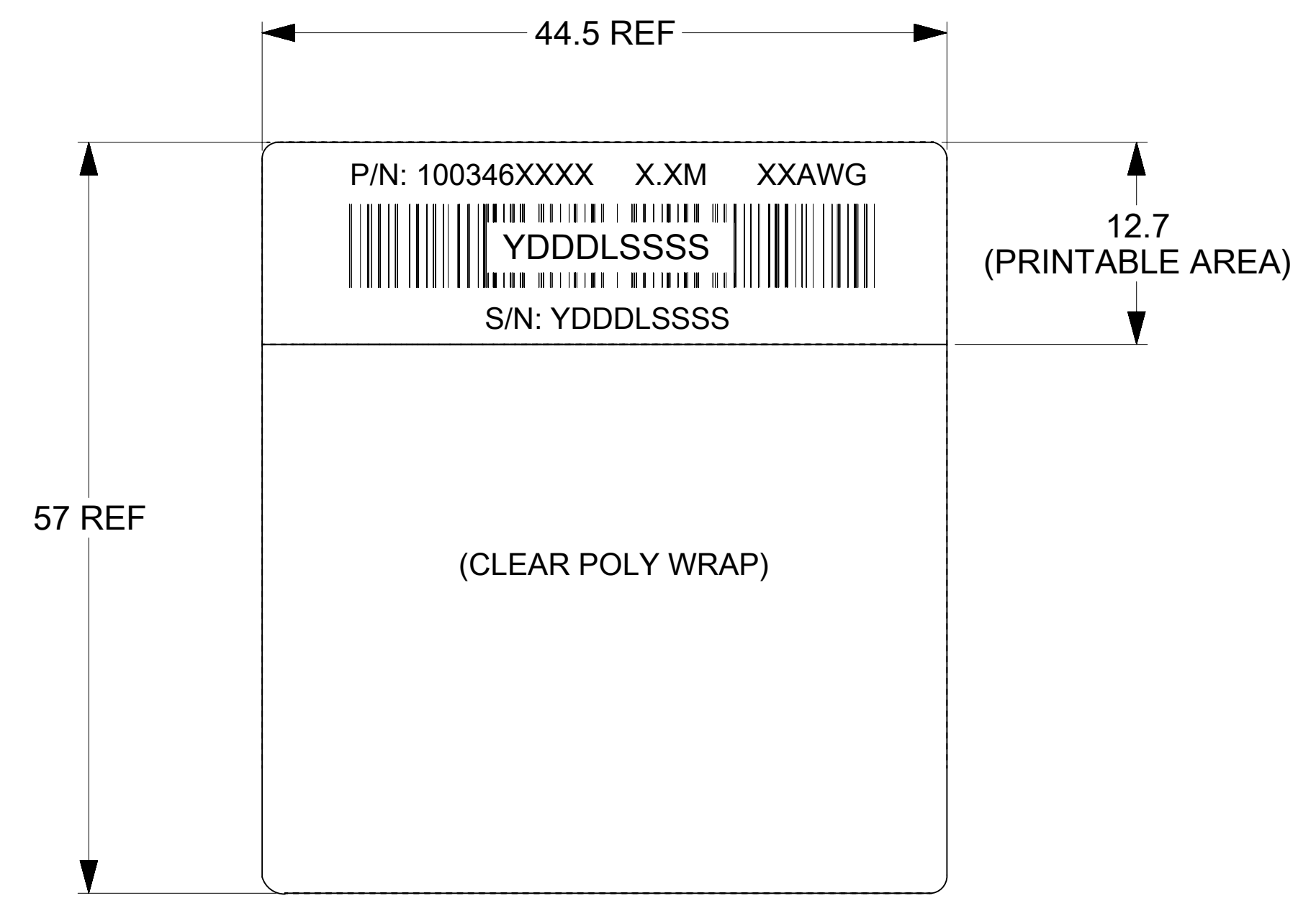
**WIRING DIAGRAM**

QSFP P1		QSFP		
PAD	SIGNAL	SIGNAL	PAD	PLUG
38	GND	GND	19	P2
37	TX1-	Rx1-	18	
36	TX1+	Rx1+	17	
35	GND	GND	16	
19	GND	GND	38	
17	RX1+	Tx1+	36	
18	RX1-	Tx1-	37	
16	GND	GND	35	
01	GND	GND	20	
02	TX2-	Rx2-	21	
03	TX2+	Rx2+	22	
04	GND	GND	23	
20	GND	GND	01	P3
22	RX2+	Tx2+	03	
21	RX2-	Tx2-	02	
23	GND	GND	04	
35	GND	GND	19	
34	TX3-	Rx1-	18	
33	TX3+	Rx1+	17	
32	GND	GND	16	
16	GND	GND	38	
13	GND	GND	35	
14	RX3+	Tx1+	36	
15	RX3-	Tx1-	37	
04	GND	GND	20	
05	TX4-	Rx2-	21	
06	TX4+	Rx2+	22	
07	GND	GND	23	
23	GND	GND	01	
26	GND	GND	04	
25	RX4+	Tx2+	03	
24	RX4-	Tx2-	02	

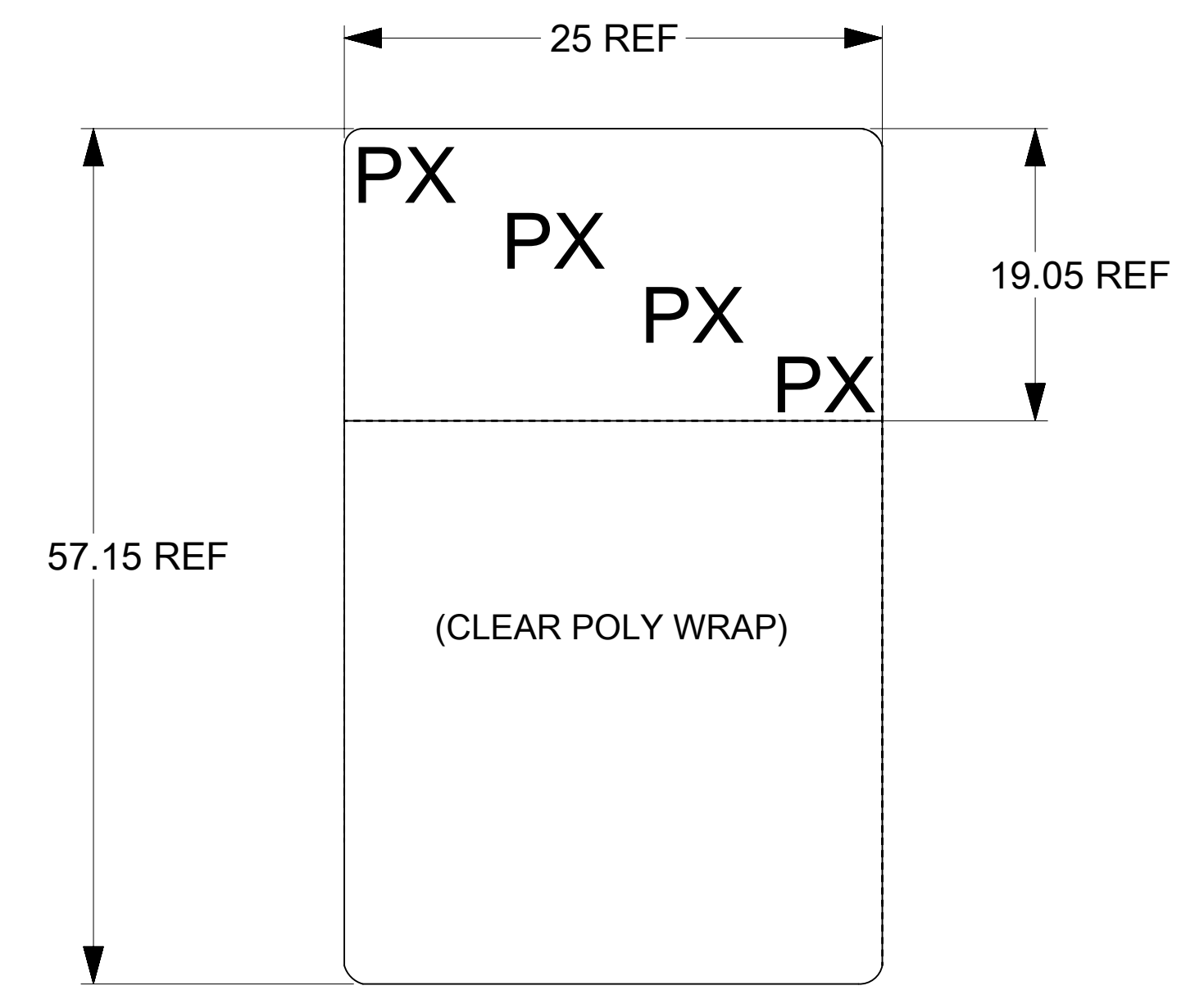
QSFP+ PADS 1, 4, 7, 13, 16, 19, 20, 23, 26  
 32, 35 AND 38 ARE GND

<b>SYMBOLS</b> DIMENSION UNITS: mm SCALE: 2:1 GENERAL TOLERANCES (UNLESS SPECIFIED): ANGULAR TOL: ± 1.0° 4 PLACES: ± 3 PLACES: ± 2 PLACES: ± 0.13 1 PLACE: ± 0.25 0 PLACES: ± DRAFT WHERE APPLICABLE MUST REMAIN WITHIN DIMENSIONS	THIS DRAWING CONTAINS INFORMATION THAT IS PROPRIETARY TO MOLEX ELECTRONIC TECHNOLOGIES, LLC AND SHOULD NOT BE USED WITHOUT WRITTEN PERMISSION CURRENT REV DESC: UPDATED LEG LABEL		
	EC NO: 607196 DRWN: GSARVADE 2018/11/08 CHK'D: GSARVADE 2018/11/08 APPR: KNAGANNA 2018/11/08 INITIAL REVISION: DRWN: MTAMBRALLI 2017/05/05 APPR: EMEDINA02 2017/11/03		
DOCUMENT NUMBER: 1003461056 DOC TYPE: PSD DOC PART: 000 REVISION: C		MATERIAL NUMBER: SEE PN TABLE CUSTOMER: GENERAL MARKET SHEET NUMBER: 2 OF 3	

### LABEL DETAILS



### END LABEL



P/N: 100346XXXX - MOLEX PART NUMBER (SEE P/N TABLE)

X.XM - CABLE LENGTH IN METERS (EXAMPLES - 0.5M, 1.0M)

S/N: YDDLSSSS - SERIAL NUMBER  
 Y - YEAR, THE LAST DIGIT OF YEAR  
 DDD - DAY OF THE YEAR  
 L - LOCATION  
 1 - USA  
 2 - MEXICO  
 3 - CHINA  
 4 - PHILIPPINES  
 SSSS - SERIAL NUMBER (0001-9999)

'P2' & 'P3' LABELS REQUIRED ON BOTH 2zQ ENDS.  
 'P1' LABEL REQUIRED ON zQ END.  
 PX - P1/P2/P3 ENDS

SYMBOLS	THIS DRAWING CONTAINS INFORMATION THAT IS PROPRIETARY TO MOLEX ELECTRONIC TECHNOLOGIES, LLC AND SHOULD NOT BE USED WITHOUT WRITTEN PERMISSION		CURRENT REV DESC: UPDATED LEG LABEL		
	DIMENSION UNITS	SCALE			
= 0	mm	1:1	<b>molex</b>  ZQSFP+ TO 2X ZQSFP+ 25G CABLE ASSEMBLY BREAKOUT CABLE ASSEMBLY  PRODUCT CUSTOMER DRAWING  DOCUMENT NUMBER: <b>1003461056</b> DOC TYPE: PSD    DOC PART: 000    REVISION: C  MATERIAL NUMBER: SEE PN TABLE    CUSTOMER: GENERAL MARKET    SHEET NUMBER: 3 OF 3		
= 0	GENERAL TOLERANCES (UNLESS SPECIFIED)				
= 0	ANGULAR TOL ± 1.0°				
= 0	4 PLACES ±				
= 0	3 PLACES ±				
= 0	2 PLACES ± 0.13		EC NO: 607196 DRWN: GSARVADE    2018/11/08 CHK'D: GSARVADE    2018/11/08 APPR: KNAGANNA    2018/11/08 INITIAL REVISION: DRWN: MTAMBRALLI    2017/05/05 APPR: EMEDINA02    2017/11/03		
= 0	1 PLACE ± 0.25				
= 0	0 PLACES ±				
= 0	DRAFT WHERE APPLICABLE MUST REMAIN WITHIN DIMENSIONS		THIRD ANGLE PROJECTION	DRAWING	SERIES
= 0				<b>D-SIZE</b>	<b>100346</b>