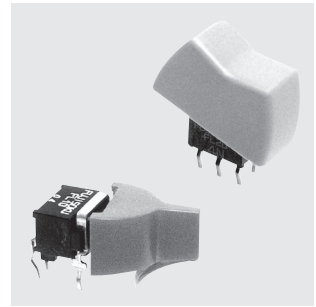


# FL

Washable

RoHS Compliant

## Hyper-miniature Lever & Rocker Switches



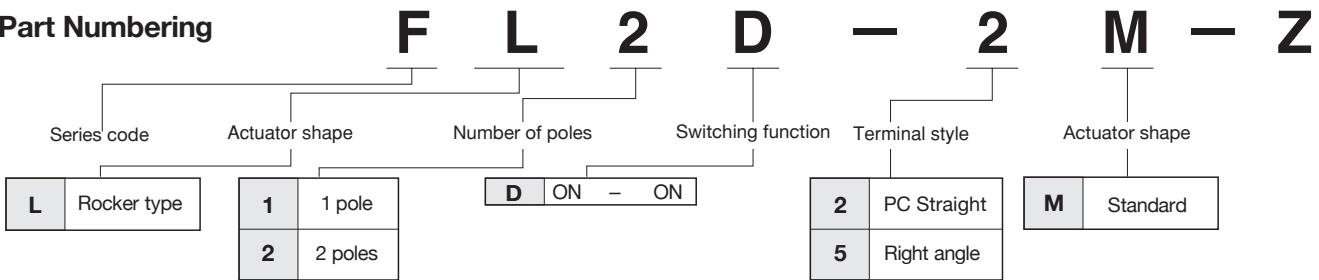
### Features

1. Hyper-miniature type. The volumetric ratio is half the conventional Series A.
2. Immersion cleaning is possible after soldering.
3. The terminal pitch is of the 0.1-inch size..
4. The independent detent mechanism ensures light operating feeling.
5. For the contact reliability, long-term stability is assured by the clip contacts.
6. Since the contacts are gold-plated, the switches are best suited for use in the dry circuit areas.
7. The full-molded type prevents malfunction caused by static electricity.

### Specifications

Rating	Max : 0.4VA (28VDC max.) Min : 1μA 20mVDC
Initial contact resistance	100mΩ max. (1.5mA 200μVAC)
Dielectric strength	250VAC 1 minute
Insulation resistance	500MΩ min. (250VDC)
Electrical life	10,000 cycles at max. rating 50,000 cycles at min.
Operating temperature range	-40°C~+85°C
Storage temperature range	-40°C~+85°C

### Part Numbering

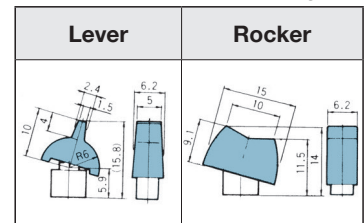


### Standard Accessories

《Supplied separately》

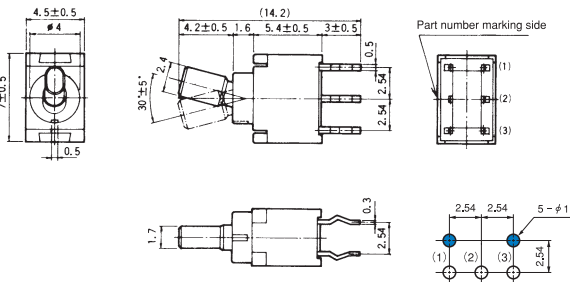
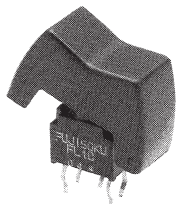
Part name	Lever (PC Straight&R/A)	Rocker (PC Straight&R/A)	Rocker (PC Straight)
Dimensions			
White	<b>140000050858</b>	<b>140000481410</b>	<b>140000481594</b>
Black	<b>140000050860</b>	<b>140000481412</b>	<b>140000481596</b>
Gray	<b>140000050861</b>	<b>140000481413</b>	<b>140000481597</b>

### Lever · Rocker Mounting



● The lever and the rocker are standard accessories. Specify either of the lever or the rocker by part number.

**SPDT**

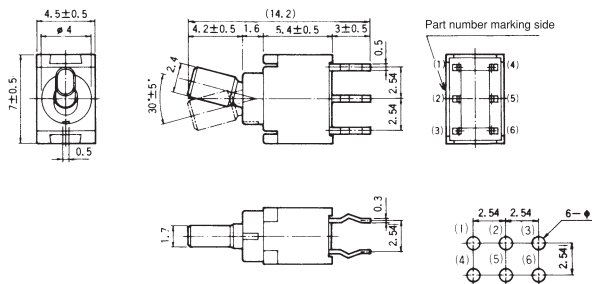
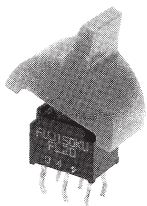


Switching function	Viewed from part No. marking side		
Part No.	FL1D-2M-Z	ON	ON
Connecting terminals	2-1	—	2-3

Mount with Rocker  
**PC Straight**

Terminal numbers are not shown on the bottom of the switch. (Top view)  
PC Hole Layouts

**DPDT**

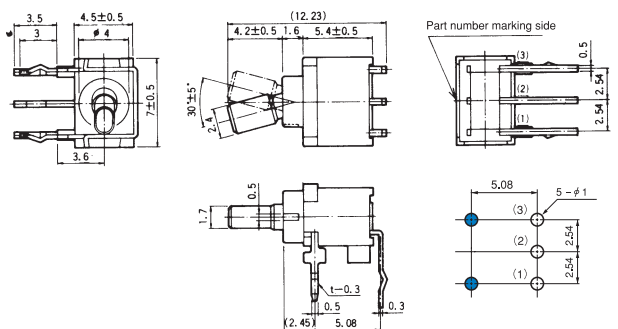


Switching function	Viewed from part No. marking side		
Part No.	★FL2D-2M-Z	ON	ON
Connecting terminals	2-1 5-4	—	2-3 5-6

Mount with Lever  
**PC Straight**

Terminal numbers are not shown on the bottom of the switch. (Top view)  
PC Hole Layouts

**SPDT**

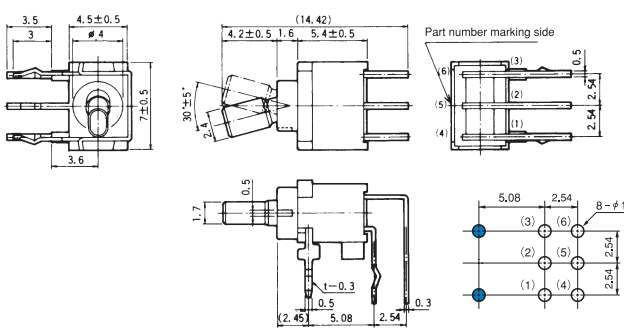


Switching function	Viewed from part No. marking side		
Part No.	★FL1D-5M-Z	ON	ON
Connecting terminals	2-3	—	2-1

Mount with Rocker  
**R/A**

Terminal numbers are not shown on the bottom of the switch. (Top view)  
PC Hole Layouts

**DPDT**

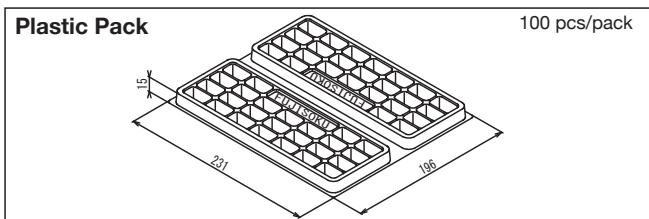


Switching function	Viewed from part No. marking side		
Part No.	★FL2D-5M-Z	ON	ON
Connecting terminals	2-3 5-6	—	2-1 5-4

Mount with Lever  
**R/A**

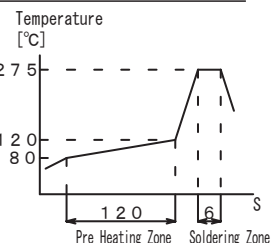
Terminal numbers are not shown on the bottom of the switch. (Top view)  
PC Hole Layouts

**■ Packaging Specifications**



**■ Soldering Specifications**

- (1) Manual Soldering  
Device: Soldering iron  
380°C, Max.; 3 seconds, Max.
- (2) Auto Soldering  
Device: Jet wave type or dip type  
275°C; 6 seconds, Max.



★ : Made to order products.