

PLD Series

Ø25mm LED Tower Light



Ordering Information

| PLD | S | F | - | 5 | 01 | - | RYGBC |
|-------------------------------|---------|-------------------|---|---|----|---|-------|
| | ① | ② | | ③ | ④ | | ⑤ |
| ① Pole Length | S | 65mm pole | | | | | |
| | L | 200mm pole | | | | | |
| ② Light Style | no mark | Steady | | | | | |
| | F | Steady & Flashing | | | | | |
| ③ Number of Stacks | 1 | 1 Light | | | | | |
| | 2 | 2 Lights | | | | | |
| | 3 | 3 Lights | | | | | |
| | 4 | 4 Lights | | | | | |
| | 5 | 5 Lights | | | | | |
| ④ Power Supply | 01 | 12VDC | | | | | |
| | 02 | 24VDC | | | | | |
| ⑤ Lens Colors (top to bottom) | R | Red | | | | | |
| | Y | Yellow | | | | | |
| | G | Green | | | | | |
| | B | Blue | | | | | |
| | C | Clear | | | | | |

- Strong aluminum body
- Well suited for small device applications
- Long LED life and reliable operation
- Prism-cut lenses for even light distribution
- Direct mounting pole installed
- Lead wire connection

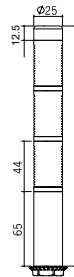
Specifications

| Operation/Function | Steady/ Flashing | | |
|--------------------------------|-----------------------------|-------|-------|
| Maximum tier | 5 | | |
| Body Style | Aluminum, Silver body | | |
| Lens Diameter | 25 mm (1 inch) | | |
| Flash Rate | Approx. 80 ± 5 flashes/min. | | |
| Certificate/Compliance | CE, RoHS | | |
| Vibration | 0.75mm at 10~55Hz | | |
| Ambient Temperature | -15°C~40°C | | |
| Storage Temperature | -20°C ~ 70°C | | |
| Ambient Humidity | 45~85% RH | | |
| Degree of Protection | IP52 | | |
| Recommended Wire Size | 1007 UL / 22 AWG | | |
| Power supply | 12VDC | 24VDC | |
| Current Consumption (RMS ±10%) | 1stack | 0.07A | 0.03A |
| | 2stack | 0.14A | 0.07A |
| | 3stack | 0.21A | 0.10A |
| | 4stack | 0.28A | 0.13A |
| | 5stack | 0.35A | 0.16A |

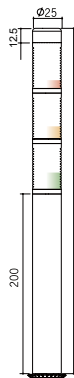


Dimensions (unit:mm)

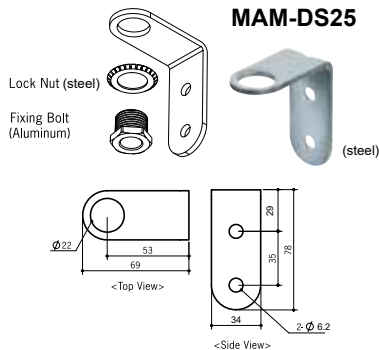
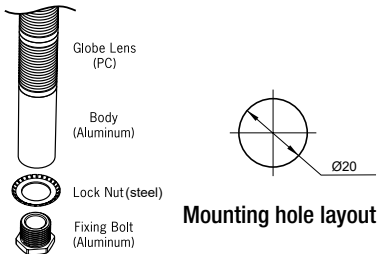
PLDS-000-00000
PLDSF-000-00000



PLDL-000-00000
PLDLF-000-00000



Built-in mounting method



Optional L-angle mounting bracket use

Wiring Diagram

