

GENERAL DESCRIPTION

The SP809 is a low power microprocessor (μP) supervisory circuit used to monitor power supplies in μP and digital systems.

It provides applications with benefits of circuit reliability and low cost by eliminating external components. If the V_{CC} supply voltage falls below preset threshold then a reset signal is asserted for at least 140ms after V_{CC} has risen above the reset threshold.

The SP809 was designed with a reset comparator to help identify invalid signals, which last less than 140ms. Low supply current ($1\mu\text{A}$) makes SP809 ideal for portable equipment.

The SP809 is available in a 3 pin SOT-23 package.

APPLICATIONS

- **Portable Electronic Devices**
- **Electrical Power Meters**
- **Digital Still Cameras**
- **μP Power Monitoring**

FEATURES

- **Ultra Low Supply Current $1\mu\text{A}$ (typ)**
- **Guaranteed Reset valid to $V_{CC} = 0.9\text{V}$**
- **140ms Power-On Reset Pulse Width**
- **Internally Fixed Threshold $2.3\text{V}, 2.6\text{V}, 2.9\text{V}, 3.1\text{V}, 4.4\text{V}, 4.6\text{V}$**
- **1.5% Voltage Threshold Tolerance**
- **3 Pin SOT-23 Package**

Part Number	Output Type
SP809N	Open Drain Active Low
SP809	Push-Pull Low

TYPICAL APPLICATION DIAGRAM

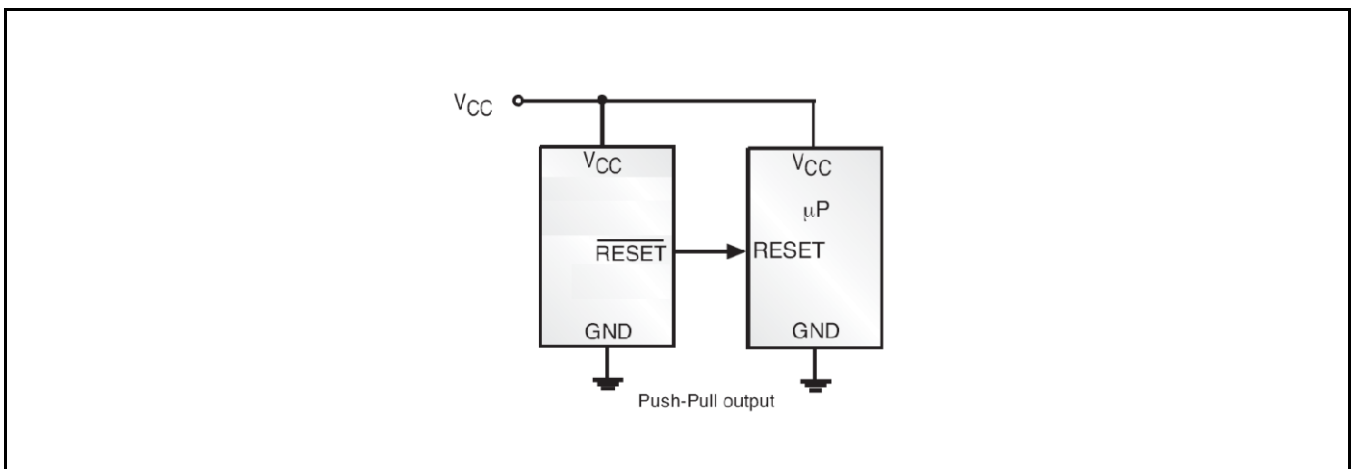


Fig. 1: SP809 Application Diagram

ABSOLUTE MAXIMUM RATINGS

These are stress ratings only and functional operation of the device at these ratings or any other above those indicated in the operation sections of the specifications below is not implied. Exposure to absolute maximum rating conditions for extended periods of time may affect reliability.

V_{CC} -0.3V to 6.5V
 RESET, $\overline{\text{RESET}}$ -0.3V to $V_{CC}+0.3V$
 Output Current ($\overline{\text{RESET}}$) 20mA
 Power Dissipation ($T_A=70^\circ\text{C}$) 320mW
 Junction Temperature 125°C
 Storage Temperature.....-65°C to 150°C

OPERATING RATINGS

Input Voltage Range V_{CC} 0.9V to 6V
 Junction Temperature Range -40°C to 85°C

ELECTRICAL SPECIFICATIONS

Specifications with standard type are for an Operating Temperature of $T_A = 25^\circ\text{C}$ only; limits applying over the full Operating Temperature range are denoted by a “•”. Minimum and Maximum limits are guaranteed through test, design, or statistical correlation. Typical values represent the most likely parametric norm at $T_A = 25^\circ\text{C}$, and are provided for reference purposes only. Unless otherwise indicated, $T_A = 25^\circ\text{C}$.

Parameter	Min.	Typ.	Max.	Units	Conditions
Operating Voltage Range V_{CC}	0.9		6.0	V	
Supply Current I_{CC}		1.0	3.0	μA	$V_{CC}=V_{TH}+0.1V$
Reset Threshold V_{TH}	2.265	2.3	2.335	V	$T_A=+25^\circ\text{C}$
	2.254		2.346		• $T_A=-40^\circ\text{C}$ to 85°C
	2.561	2.6	2.639		$T_A=+25^\circ\text{C}$
	2.548		2.652		• $T_A=-40^\circ\text{C}$ to 85°C
	2.857	2.9	2.944		$T_A=+25^\circ\text{C}$
	2.842		2.958		• $T_A=-40^\circ\text{C}$ to 85°C
	3.054	3.1	3.147		$T_A=+25^\circ\text{C}$
	3.038		3.162		• $T_A=-40^\circ\text{C}$ to 85°C
	4.334	4.4	4.466		$T_A=+25^\circ\text{C}$
	4.312		4.488		• $T_A=-40^\circ\text{C}$ to 85°C
	4.531	4.6	4.669		$T_A=+25^\circ\text{C}$
	4.508		4.692		• $T_A=-40^\circ\text{C}$ to 85°C
V_{CC} Reset Delay t_{TRIP}		20		μs	$V_{CC}=V_{TH}$ to $(V_{TH} - 0.1V)$, $V_{TH}=3.1V$
Reset Active Timeout Period t_{RP}	140	230	560	ms	$T_A=+25^\circ\text{C}$
	100		1030		• $T_A=-40^\circ\text{C}$ to 85°C
$\overline{\text{RESET}}$ Output Voltage V_{OH}	$0.8V_{CC}$				$V_{CC}=V_{TH} + 0.1V$, $I_{SOURCE} = 1.2mA$
$\overline{\text{RESET}}$ Output Voltage V_{OL}			0.3	V	$V_{CC}=V_{TH} - 0.1V$, $I_{SINK} = 1.2mA$

Parameter	Min.	Typ.	Max.	Units		Conditions

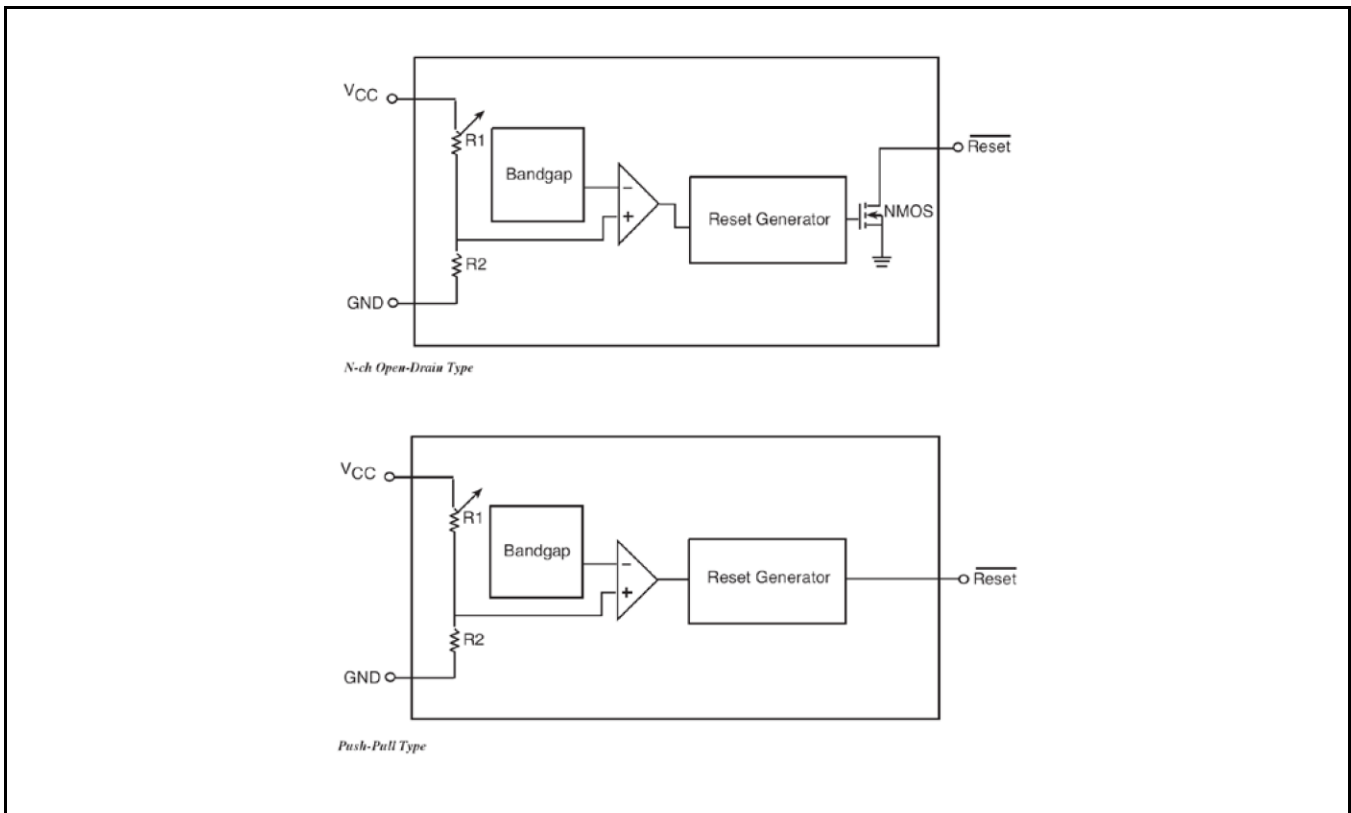
BLOCK DIAGRAM


Fig. 2: SP809N/SP809 Block Diagram

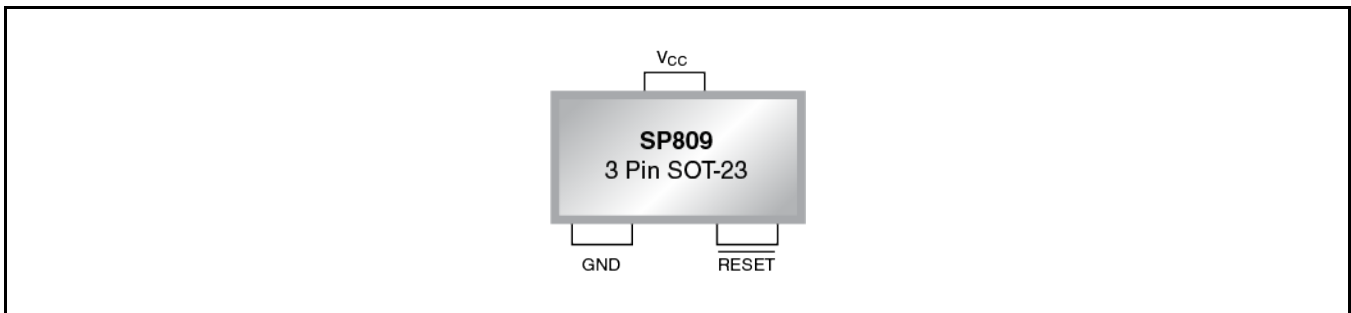
PIN ASSIGNMENT


Fig. 3: SP809 Pin Assignment

PIN DESCRIPTION

Name	Pin Number	Description

Name	Pin Number	Description
GND	1	Ground Signal
$\overline{\text{RESET}}$	2	Active Low Output Pin. RESET Output remains high while VCC is below the reset threshold
V _{CC}	3	Supply Voltage

ORDERING INFORMATION

Part Number	Operating Temperature Range	Lead-Free	Package	Packing Method
SP809EK-L-2-3/TR	-40°C ≤ T _A ≤ +85°C	Yes	SOT23-3	Tape & Reel
SP809EK-L-2-6/TR				
SP809EK-L-2-9/TR				
SP809NEK-L-3-1/TR				

NOTE: For the most up-to-date ordering information and additional information on environmental rating, go to www.maxlinear.com/SP809.

TYPICAL PERFORMANCE CHARACTERISTICS

All data taken at $T_A = 25^\circ\text{C}$, unless otherwise specified - Schematic and BOM from Application Information section of this datasheet.

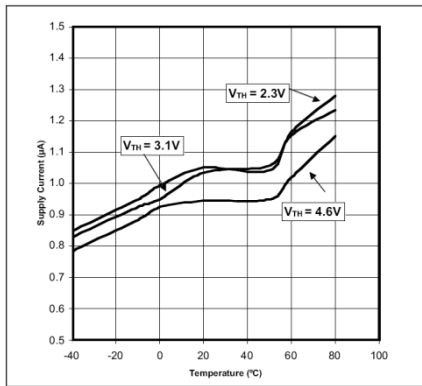


Fig. 4: Supply Current versus Temperature

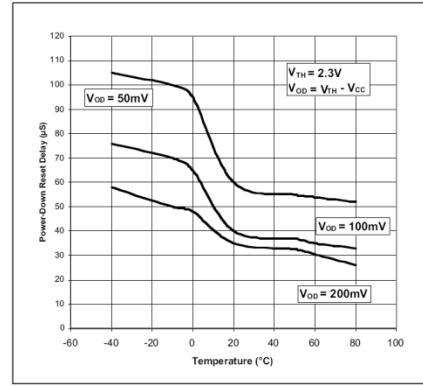


Fig. 5: Power-Down Reset Delay versus Temperature

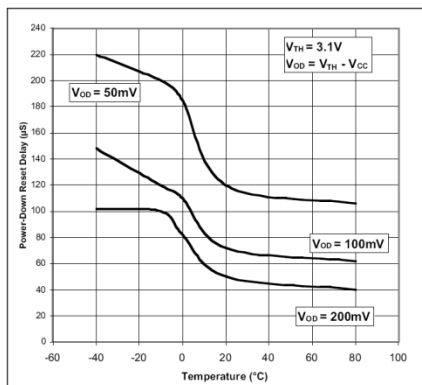


Fig. 6: Power-Down Reset Delay versus Temperature

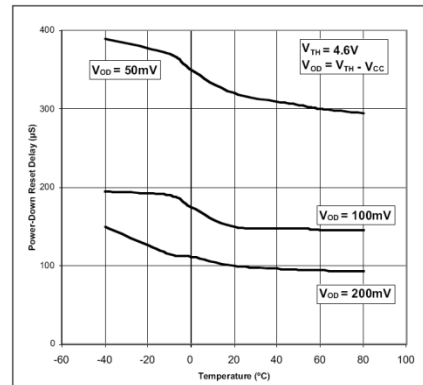


Fig. 7: Power-Down Reset Delay versus Temperature

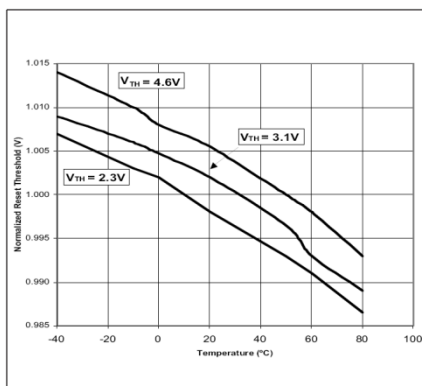


Fig. 8: Normalized Reset Threshold versus Temperature

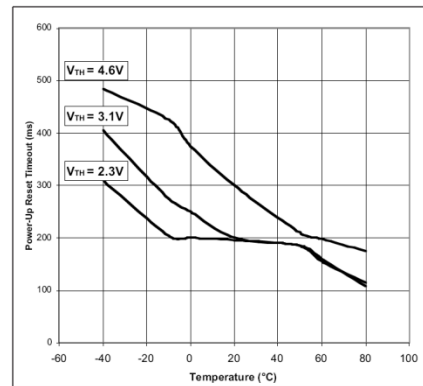


Fig. 9: Power-Up Reset Time-out versus Temperature

THEORY OF OPERATION

μ P will be activated at a valid reset state. These μ P supervisory circuits assert reset to prevent code execution errors during power-up, power-down, or brownout conditions.

Reset is guaranteed to be a logic low for $V_{TH} > V_{CC} > 0.9V$. Once V_{CC} exceeded the reset threshold, an internal timer keeps \overline{RESET} low for the reset timeout period; after this interval, \overline{RESET} goes high.

If a brownout condition occurs (V_{CC} drops below the reset threshold), \overline{RESET} goes low. Any time V_{CC} goes below the reset threshold, the internal timer resets to zero, and \overline{RESET} goes low. The internal timer is activated after V_{CC} returns above the reset threshold, and \overline{RESET} remains low for the reset timeout period.

BENEFIT OF HIGHLY ACCURATE RESET THRESHOLD

SP809 with specified voltage as $5V \pm 10\%$ or $3V \pm 10\%$ are ideal for systems using a $5V \pm 5\%$

APPLICATION INFORMATION

NEGATIVE GOING V_{CC} TRANSIENTS

In addition to issuing a reset to the μ P during power-up, power-down, and brownout conditions, SP809 series are relatively resistant to short-duration negative-going V_{CC} transient.

ENSURING A VALID RESET OUTPUT DOWN TO $V_{CC}=0$

When V_{CC} falls below 0.9V, SP809 \overline{RESET} output no longer sinks current; it becomes an open circuit. In this case, high-impedance CMOS logic inputs connecting to \overline{RESET} can drift to undetermined voltages. Therefore, SP809 with CMOS is perfect for most applications of V_{CC} down to 0.9V.

However in applications where \overline{RESET} must be valid down to 0V, adding a pull-down resistor to \overline{RESET} causes any leakage currents to flow to ground, holding \overline{RESET} low.

or $3V \pm 5\%$ power supply. The reset is guaranteed to assert after the power supply falls below the minimum specified operating voltage range of the system ICs. The pre-trimmed thresholds are reducing the range over which an undesirable reset may occur.

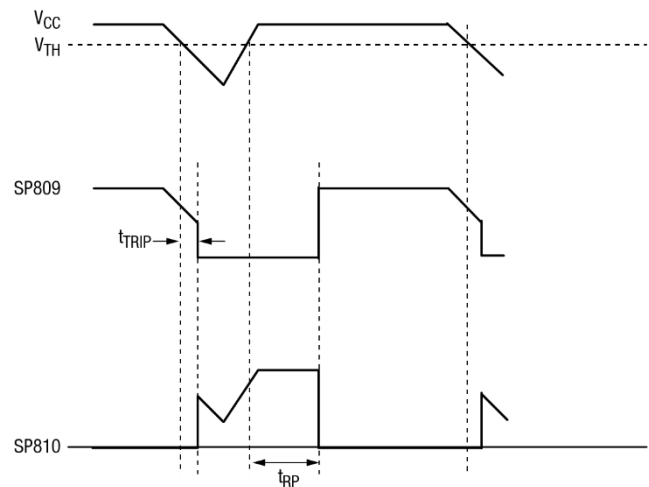


Fig. 10: Timing Waveforms

INTERFACING TO μ P WITH BIDIRECTIONAL RESET PINS

The \overline{RESET} output on the SP809N is open drain, this device interfaces easily with μ Ps that have bidirectional reset pins. Connecting the μ P supervisor's \overline{RESET} output directly to the microcontroller's RESET pin with a single pull-up resistor allows either device to assert reset.

TEST CIRCUIT

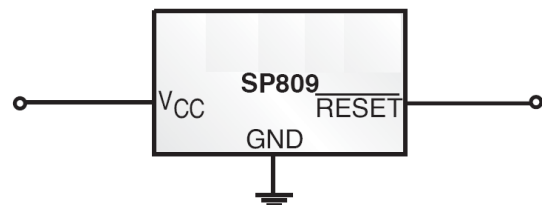
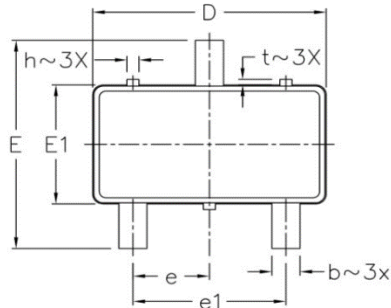
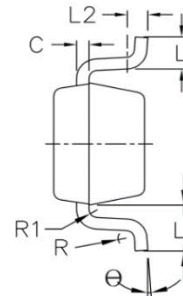
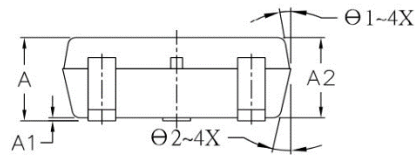


Fig. 11: Test Circuit

PACKAGE SPECIFICATION
3-PIN SOT23

TOP VIEW

SIDE VIEW - 1

SYMBOL	SOT-23			
	MM		INCH	
	MIN.	MAX.	MIN.	MAX.
A	—	1.45	—	0.0571
A1	0.00	0.15	0.0000	0.0059
A2	0.90	1.30	0.0354	0.0512
b	0.30	0.50	0.0118	0.0197
c	0.08	0.22	0.0031	0.0087
D	2.80	3.00	0.1102	0.1181
E	2.60	3.00	0.1024	0.1181
E1	1.50	1.70	0.0591	0.0669
e	0.87	1.03	0.0343	0.0406
e1	1.82	1.98	0.0717	0.0780
L	0.30	0.60	0.0118	0.0236
L1	0.50	0.80	0.0197	0.0315
L2	0.25	BSC	0.0098	BSC
R	0.10	—	0.0039	—
R1	0.10	0.25	0.0039	0.0098
theta	0°	8°	0°	8°
theta1	5°	15°	5°	15°
theta2	5°	15°	5°	15°
t	—	0.15	—	0.0059
h	—	0.25	—	0.0098

TERMINAL DETAILS

SIDE VIEW - 2

1. Refer to Jecdec MO-178
2. Dimension "D" does not include mold flash, protrusions or gate burrs.
Mold flash, protrusion or gate burrs shall not exceed 10mils per side.
3. Dimension "E1" does not include inter-lead flash or protrusions.
4. All dimensions are millimeters.

Drawing No. : POD - 00000162

Revision: A

REVISION HISTORY

Revision	Date	Description
2.0.0	2011	Reformat of Datasheet Correction of package drawing
2.0.1	August 2017	Correct Reset Delay conditions. Updated to MaxLinear logo. Updated format and ordering information table.
2.0.2	November 2017	Corrected typo from rev 2.0.1, added 2 missing overlines to RESET in Electrical Specifications.
2.0.3	July 14, 2021	Updated: <ul style="list-style-type: none">▪ "3-Pin SOT23 Package Specification" figure.▪ "Ordering Information" table. Removed: <ul style="list-style-type: none">▪ SP810 mentions removed as being an obsolete product.

**Corporate Headquarters:**

5966 La Place Court
Suite 100
Carlsbad, CA 92008
Tel.: +1 (760) 692-0711
Fax: +1 (760) 444-8598
www.maxlinear.com

The content of this document is furnished for informational use only, is subject to change without notice, and should not be construed as a commitment by MaxLinear, Inc. MaxLinear, Inc. assumes no responsibility or liability for any errors or inaccuracies that may appear in the informational content contained in this guide. Complying with all applicable copyright laws is the responsibility of the user. Without limiting the rights under copyright, no part of this document may be reproduced into, stored in, or introduced into a retrieval system, or transmitted in any form or by any means (electronic, mechanical, photocopying, recording, or otherwise), or for any purpose, without the express written permission of MaxLinear, Inc.

MaxLinear, Inc. does not recommend the use of any of its products in life support applications where the failure or malfunction of the product can reasonably be expected to cause failure of the life support system or to significantly affect its safety or effectiveness. Products are not authorized for use in such applications unless MaxLinear, Inc. receives, in writing, assurances to its satisfaction that: (a) the risk of injury or damage has been minimized; (b) the user assumes all such risks; (c) potential liability of MaxLinear, Inc. is adequately protected under the circumstances.

MaxLinear, Inc. may have patents, patent applications, trademarks, copyrights, or other intellectual property rights covering subject matter in this document. Except as expressly provided in any written license agreement from MaxLinear, Inc., the furnishing of this document does not give you any license to these patents, trademarks, copyrights, or other intellectual property.

MaxLinear, the MaxLinear logo, any MaxLinear trademarks (MxL, Full-Spectrum Capture, FSC, G.now, AirPHY, Puma, and AnyWAN), and the MaxLinear logo on the products sold are all property of MaxLinear, Inc. or one of MaxLinear's subsidiaries in the U.S.A. and other countries. All rights reserved. *Other company trademarks and product names appearing herein are the property of their respective owners.

© 2021 MaxLinear, Inc. All rights reserved.