



Product Description:

- Protection System with Door
- Holds disposable or reusable gowns, aprons, or coveralls/jumpsuits, two boxes of gloves, one box of earloop masks, and one box of face shields
- Hinged door over face mask section
- Keyholes for wall mounting, or cutout for use with BOWMAN® hanger
- Quartz Beige ABS Plastic

Primary Area for Product Usage:

- Anywhere personal protection equipment is needed

Dispenses:

- Left: Gowns, aprons, or coveralls/jumpsuits no larger than 14.90"W x 14.87"H x 4.50"D (13.3 cm x 37.8 cm x 9.5 cm)
- Top right: Box(es) no larger than 4.75"W x 8.00"H x 4.45"D (12.0 cm x 20.3 cm x 11.3 cm)
- Middle right: Box(es) no larger than 4.75"W x 8.00"H x 4.45"D (12.0 cm x 20.3 cm x 11.3 cm)
- Bottom: Box(es) no larger than 10.00"W x 5.50"H x 3.88"D (25.4 cm x 14.0 cm x 9.9 cm)

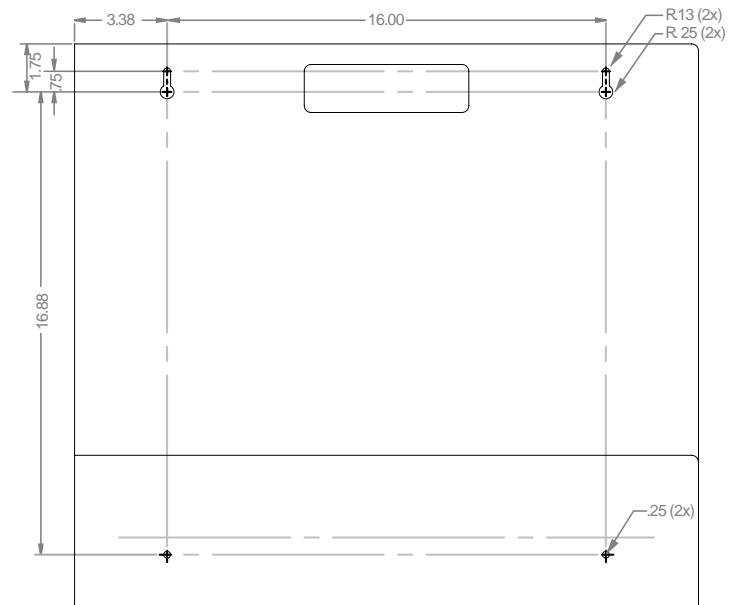
Package Specifications:

- Package Quantity: 1 per case
- 24"W x 8"H x 24"D (61.0 cm x 20.3 cm x 61.0 cm)
- 9.0 lbs (4.1 kg) - approximated

Product Specifications (overall external dimensions):

- 23.00"W x 20.63"H x 5.08"D (58.4 cm x 52.4 cm x 12.9 cm)
- 5.2 lbs (2.3 kg) - approximated

Mounting Specifications:



Accessories (each sold separately):

- MP-047: Sign Holder - Clip On (shown below)
- Clip-On Caddy: MP-015 and MP-085
- Door/Wall Hangers: HH004-0412, MB-450, MB-510, MB-600, MB-601

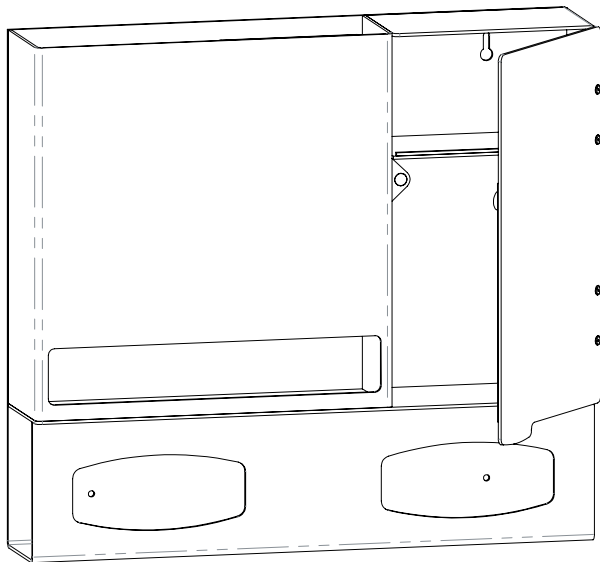




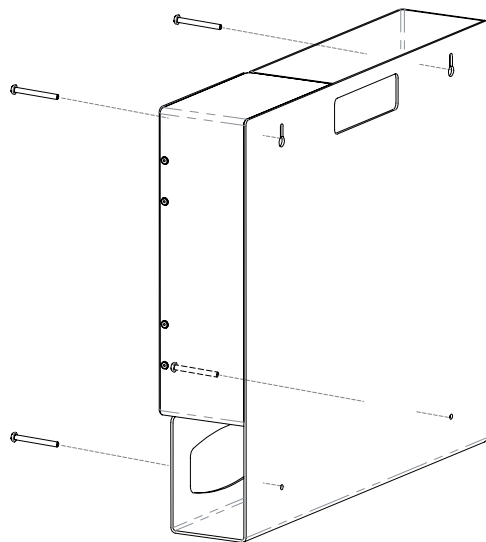
Installation

Always mount dispensers securely *prior* to loading with product.

- Hinged door with magnetic closure covers face mask area.



- Mount securely to a wall with screws approved and supplied by building maintenance.

**Parts included:**

- Dispenser

Tools Required:

- No tools required to assemble dispenser

Care and Construction

ABS Plastic

Material Characteristics

Designed for Long-Term, Heavy-Duty Applications

The combination of copolymers (Acrylonitrile, Butadiene, and Styrene) gives ABS an excellent combination of strength, rigidity, and toughness.

ABS is chemical and stress-crack resistant. It is tough, dimensionally stable, and will hold up to long-term use. It possesses high strength and performance characteristics at a reasonable cost.

Care and Cleaning

Use mild soap and water to clean. Petroleum-based oils, solvents, and paints should not be used.

Standard hospital cleaning supplies are approved for use on our ABS plastic products.