

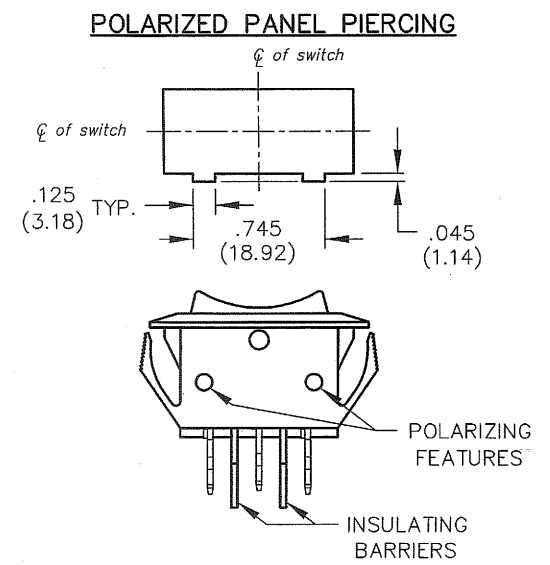
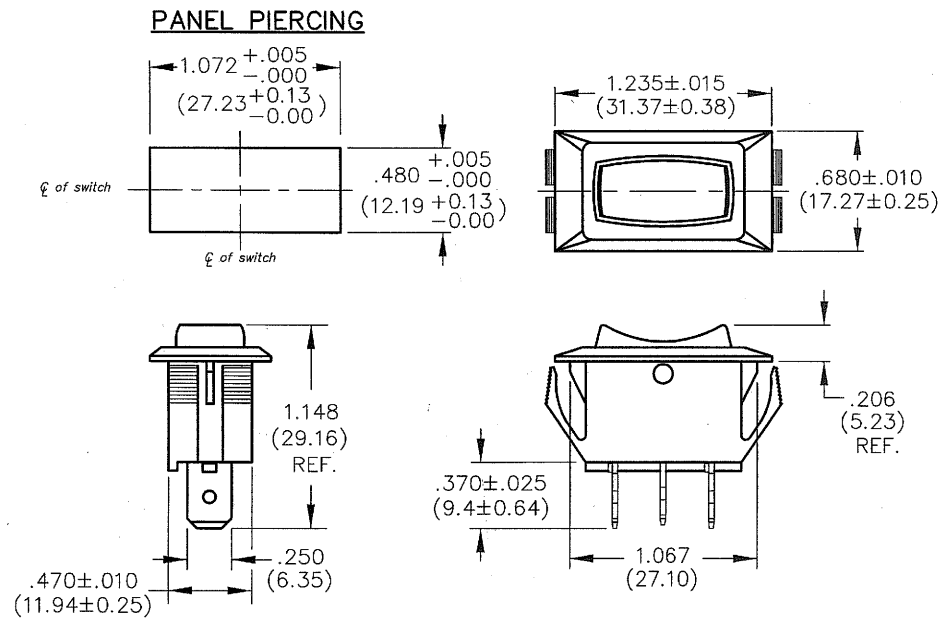
F
 D
 C
 B
 A

THIS INFORMATION IS CONFIDENTIAL AND PROPRIETARY TO CW INDUSTRIES INCORPORATED AND ITS AFFILIATES. IT MAY NOT BE DISCLOSED TO ANYONE OTHER THAN CW INDUSTRIES PERSONNEL, WITHOUT WRITTEN AUTHORIZATION FROM CW INDUSTRIES INCORPORATED, SOUTHAMPTON, PENNSYLVANIA USA.

DIMENSIONS IN INCHES (MILLIMETERS) Dwg. No.
 DO NOT SCALE DRAWING GRS-2013A-3XXX

PANEL THICKNESS
 .025" to .180"
 (0.64mm to 4.57mm)

OPTIONS:



TERMINAL OPTIONS:

.250" Wide Terminal is standard as Shown in drawing.
 .187" Wide Terminal is optional.

1	2	3	4	5	6	7	8	9	10
---	---	---	---	---	---	---	---	---	----

B-FORMAT 2002
REVISIONS
 RELEASED: 7-27-2010
 DGW
 OCT 25 2010

CW INDUSTRIES
 Southampton, Pa. 18966
TOLERANCES UNLESS OTHERWISE SPECIFIED
 2 Place Decimal $\pm .010$ METRIC
 3 Place Decimal $\pm .005$ 1 Place Dec. $\pm .25$ mm
 Angles $\pm 1'$ 2 Place Dec. $\pm .13$ mm

Made for: CW IND.
 Drawn by: DGW 7-27-2010
 Checked by: G. Guld 8-16-10
 Approval: *[Signature]* 8-10-10

Title: **CENTER OFF ROCKER SWITCH ASSEMBLY**
 S.P.D.T. WITH OPTIONS
 1.072" x .480" PANEL
 Division: **SWITCH**
 Dwg. No. **GRS-2013A-3XXX**

MASTER