

**MADE
IN THE USA**

* Imported

Product Description:

- Hand Sanitizer Floor Stand
- Standard back plate for use with hand sanitizer, hand lotion, or foam dispensers
- No tools required to assemble
- Self-righting base, up to 40 degrees past center without dispenser
- Bay Gray powder-coated steel back plate, column, and base
- Back plate made in the USA
- Column and base made in China

Primary Area for Product Usage:

- Anywhere respiratory hygiene or hand sanitizer products are needed

Package Specifications:

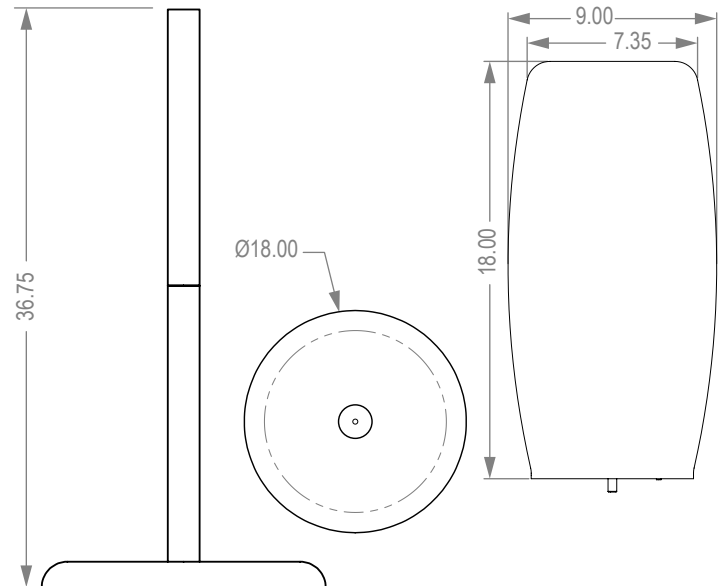
- 20"L x 4"W x 20"H (50.8 cm x 10.2 cm x 50.8 cm)
- 18.0 lbs (8.2 kg) - approximated

Product Specifications (overall external dimensions):

- 18.00"W x 54.73"H x 18.00"D (45.7 cm x 139.0 cm x 45.7 cm)
- 16.0 lbs (7.3 kg) - approximated

Mounting Specifications:**Companion Products (each sold separately):**

- KS123-0529: Infection Prevention Station (shown below)
- SN003-0212: Sign Holder

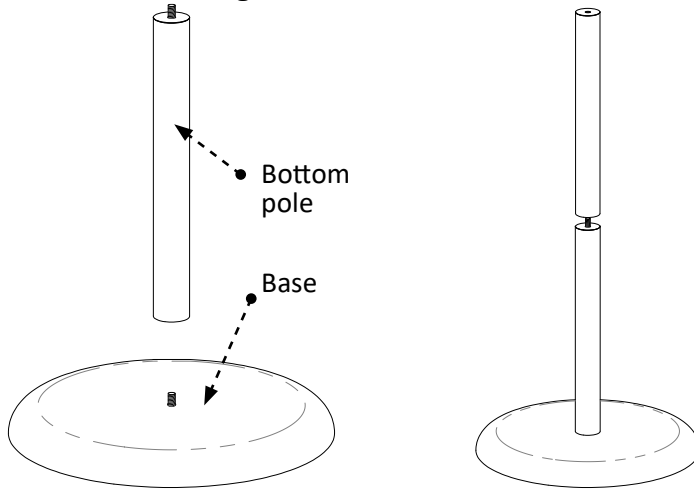




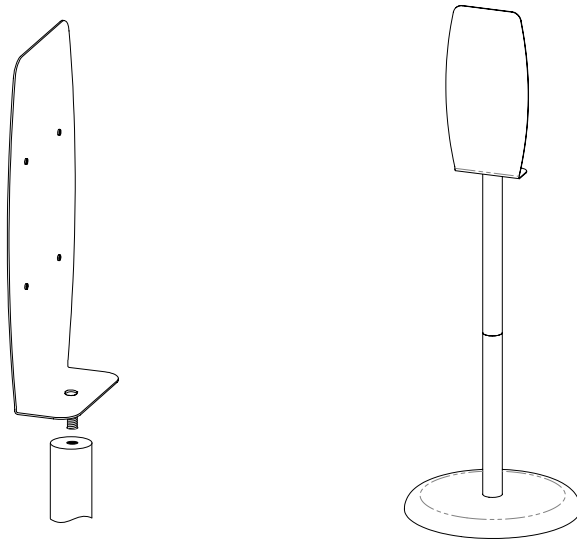
Installation

Always mount dispensers securely *prior* to loading with product.

- To secure base to column, place base on floor, line up threaded stud on base with threaded hole in pole. Turn pole clockwise until tight.
- Screw the threaded hole of second pole section onto the stud in the top of the first section. Turn clockwise until tight.



- Place hole in back plate over stud from second pole section.
- Holding back plate upright, screw onto threaded stud.

**Parts included:**

- Base, Column and Back Plate

Tools Required:

- No tools required to assemble dispenser

Care and Construction

Powder-Coated Steel

Material Characteristics

Designed for Long-Term, Heavy-Duty Applications

Dispensers and stands made of powder coated steel are both attractive and functional, providing years of service. Our powder coated steel dispensers and stands provide long-lasting products that hold up well in tough environments.

Powder coated steel is ideal for dispensers used in a healthcare or an industrial setting. It is impact resistant and is not effected by extremes in temperature.

Care and Cleaning

The powder coated finish resists common chemicals and cleaning agents and can be easily wiped clean with soap and water.