

TABLE 1

MOLEX P/N	ENG. NO.	CABLE LENGTH+TOL. (mm)	LED
1202470001	BEB401P-FBW-05	5000	YES
1202470002	BEB401P-FBW-10	10000	YES
1202470003	BEB401P-FBW-15	15000	YES
1202470004	BEB401P-FBW-20	20000	YES
1202470028	BEB4010-FBW-05	5000	NO
1202470029	BEB4010-FBW-10	10000	NO
1202470030	BEB4010-FBW-15	15000	NO

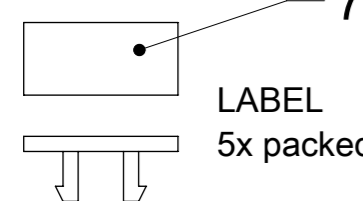
TABLE 3

CABLE LENGTH TOLERANCES	
LENGTH	TOLERANCE
0m-1m	+40 mm
>1m-5m	+60 mm
>5m-10m	+80 mm
>10m-20m	+140 mm
>20m-30m	+160 mm
>30m	+1% length

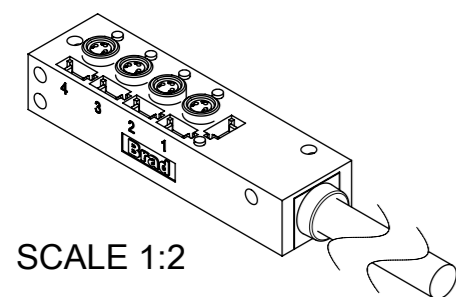
TABLE 2

ITEM	COMPONENT	MATERIAL	FINISH
1	INSERT	TPU	BLACK
2	CONTACT SOCKET	COPPER ALLOY	GOLD OVER NICKEL
3	O-RING	VITON	RED
4	RECEPTACLE SHELL	BRASS	NICKEL PLATED
5	HOUSING	PBT	BLACK
6	CABLE	TPU	BLACK
7	LABEL	ABS	WHITE
8	LABEL ADHESIVE	PE	WHITE
9	CABLE PLATE	PBT	BLACK
10	LED	NO LED = PA	BLACK
		WITH LED = PA	TRANSPARENT
11	RESIN	EPOXY	TRANSPARENT

SCALE 2:1



LABEL  
5x packed in a bag.

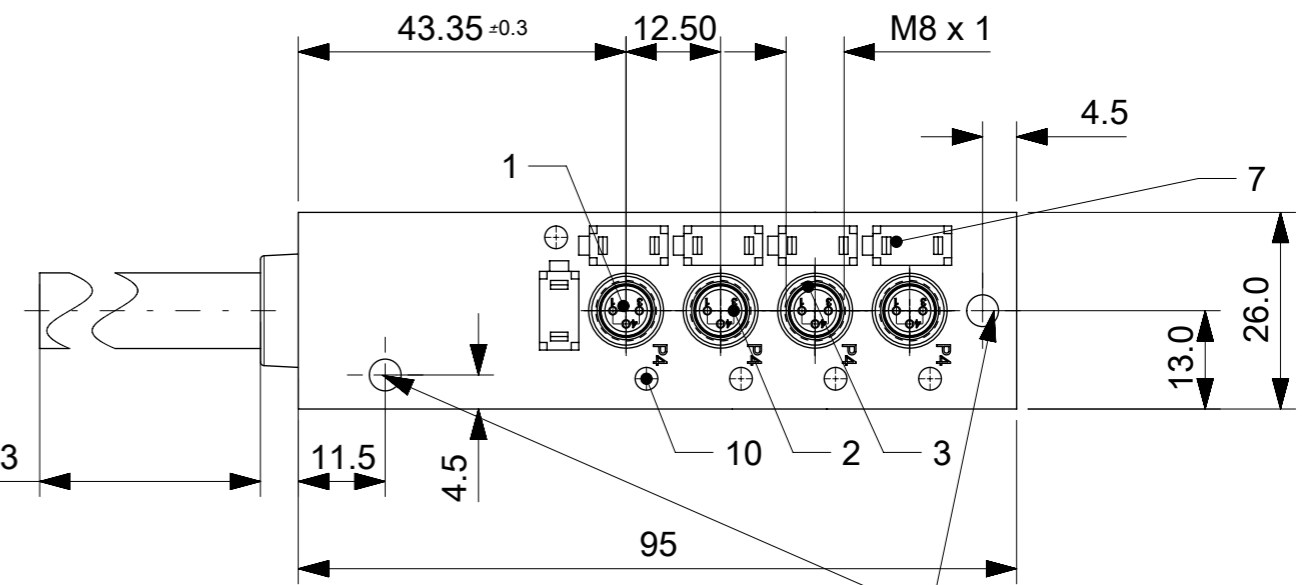


SCALE 1:2

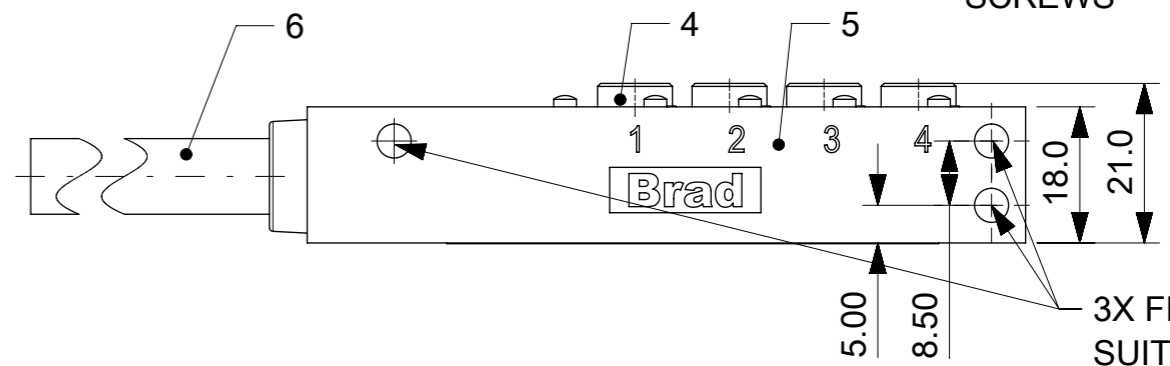
GENERAL CHARACTERISTICS:

NOMINAL VOLTAGE: 24 V DC  
 RATED CURRENT: 2 A PER PORT / 6 A MAX: TOTAL  
 IP DEGREE OF PROTECTION: IP 68  
 TEMPERATURE RANGE: -25°C to + 85°C

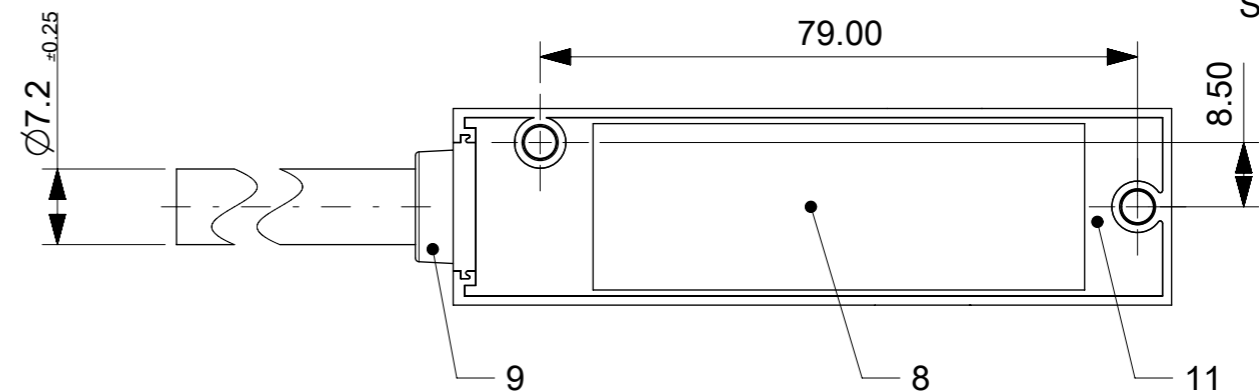
L= SEE TABLE 1+3



2X FIXING HOLES  
SUITABLE FOR M4  
SCREWS

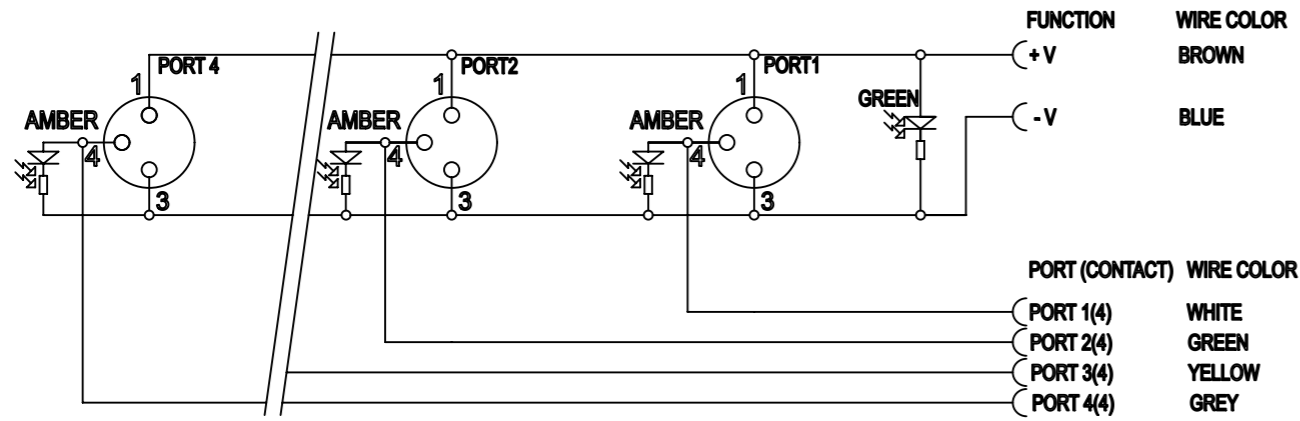


3X FIXING HOLES  
SUITABLE FOR M4  
SCREWS

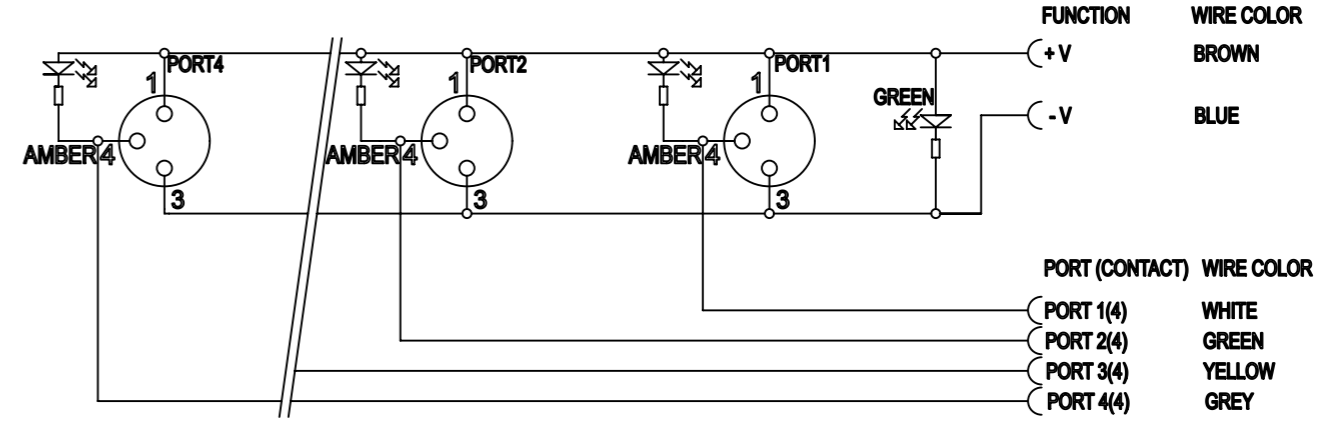


SYMBOLS DIMENSION UNITS SCALE CURRENT REV DESC: CABLE LENGTH TOLERANCES ADDED EC NO: 631956 DRWN: RSCHIEBER 2020/02/11 CHK'D: RSILLER 2020/02/12 APPR: RSILLER 2020/02/12 INITIAL REVISION: DRWN: ULETTENMEIER 2015/01/20 APPR: RSILLER 2015/04/22 DRAFT WHERE APPLICABLE MUST REMAIN WITHIN DIMENSIONS THIRD ANGLE PROJECTION DRAWING SERIES MATERIAL NUMBER CUSTOMER SHEET NUMBER	THIS DRAWING CONTAINS INFORMATION THAT IS PROPRIETARY TO MOLEX ELECTRONIC TECHNOLOGIES, LLC AND SHOULD NOT BE USED WITHOUT WRITTEN PERMISSION	<p>MPIS M8 PNP NPN NOS 3P 4PT BK XM SINGLE</p> <p>PRODUCT CUSTOMER DRAWING</p> <p>DOCUMENT NUMBER: 1202470001 DOC TYPE: PSD DOC PART: 000 REVISION: B1</p> <p>SEE TABLE 1 GENERAL MARKET 1 OF 2</p>
	mm 1:1 GENERAL TOLERANCES (UNLESS SPECIFIED) ANGULAR TOL ± ° 4 PLACES ± 3 PLACES ± 2 PLACES ± 0.2 1 PLACE ± 0.3 0 PLACES ± 0.5	
	A3-SIZE 120247	
	A3-SIZE 120247	

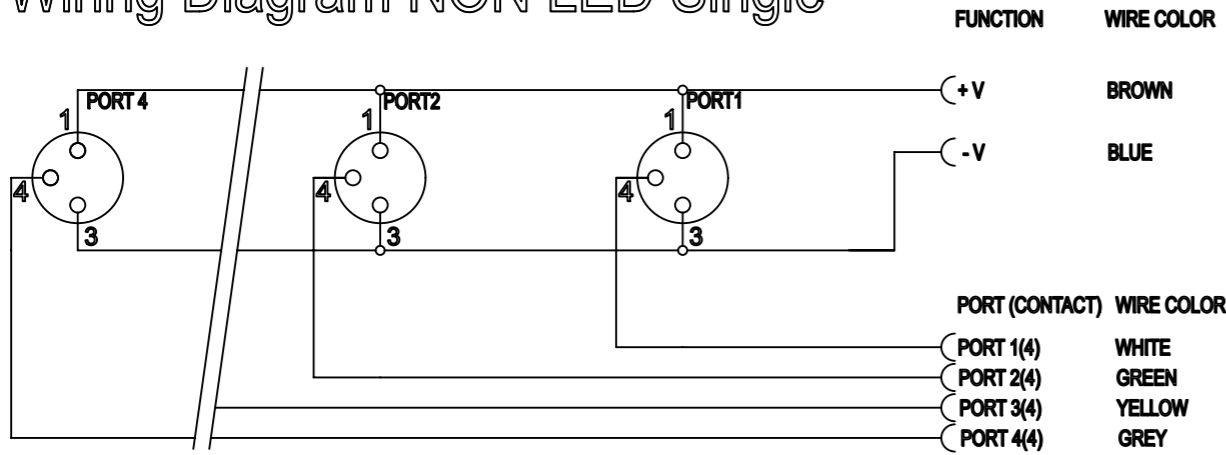
### Wiring Diagram PNP Single



### Wiring Diagram NPN Single



### Wiring Diagram NON LED Single



<b>SYMBOLS</b> DIMENSION UNITS: mm   SCALE: 1:1 GENERAL TOLERANCES (UNLESS SPECIFIED): ANGULAR TOL ± ° 4 PLACES ±   3 PLACES ±   2 PLACES ± 0.2   1 PLACE ± 0.3   0 PLACES ± 0.5   DRAFT WHERE APPLICABLE MUST REMAIN WITHIN DIMENSIONS	THIS DRAWING CONTAINS INFORMATION THAT IS PROPRIETARY TO MOLEX ELECTRONIC TECHNOLOGIES, LLC AND SHOULD NOT BE USED WITHOUT WRITTEN PERMISSION CURRENT REV DESC: CABLE LENGTH TOLERANCES ADDED		 MPIS M8 PNP NPN NOS 3P 4PT BK XM SINGLE
	EC NO: 631956 DRWN: RSCHIEBER 2020/02/11 CHK'D: RSILLER 2020/02/12 APPR: RSILLER 2020/02/12		
INITIAL REVISION: DRWN: ULETENMEIER 2015/01/20 APPR: RSILLER 2015/04/22	DOCUMENT NUMBER: 1202470001 DOC TYPE: PSD   DOC PART: 000   REVISION: B1		SHEET NUMBER: 2 OF 2
	THIRD ANGLE PROJECTION	DRAWING: A3-SIZE	