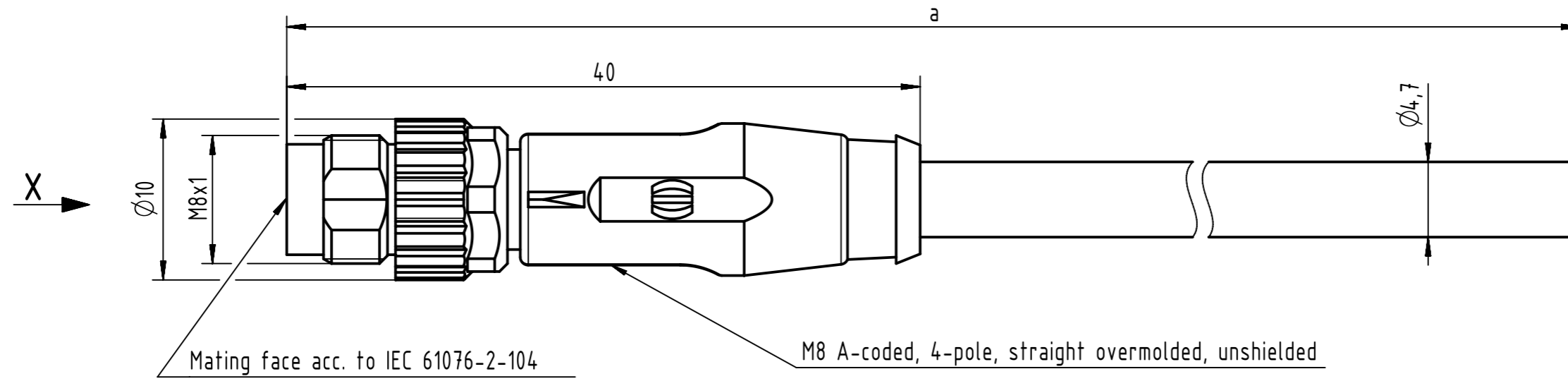
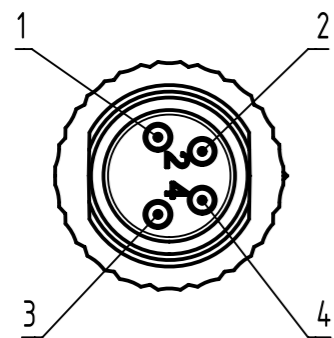


Connector Location A

Connector Location B



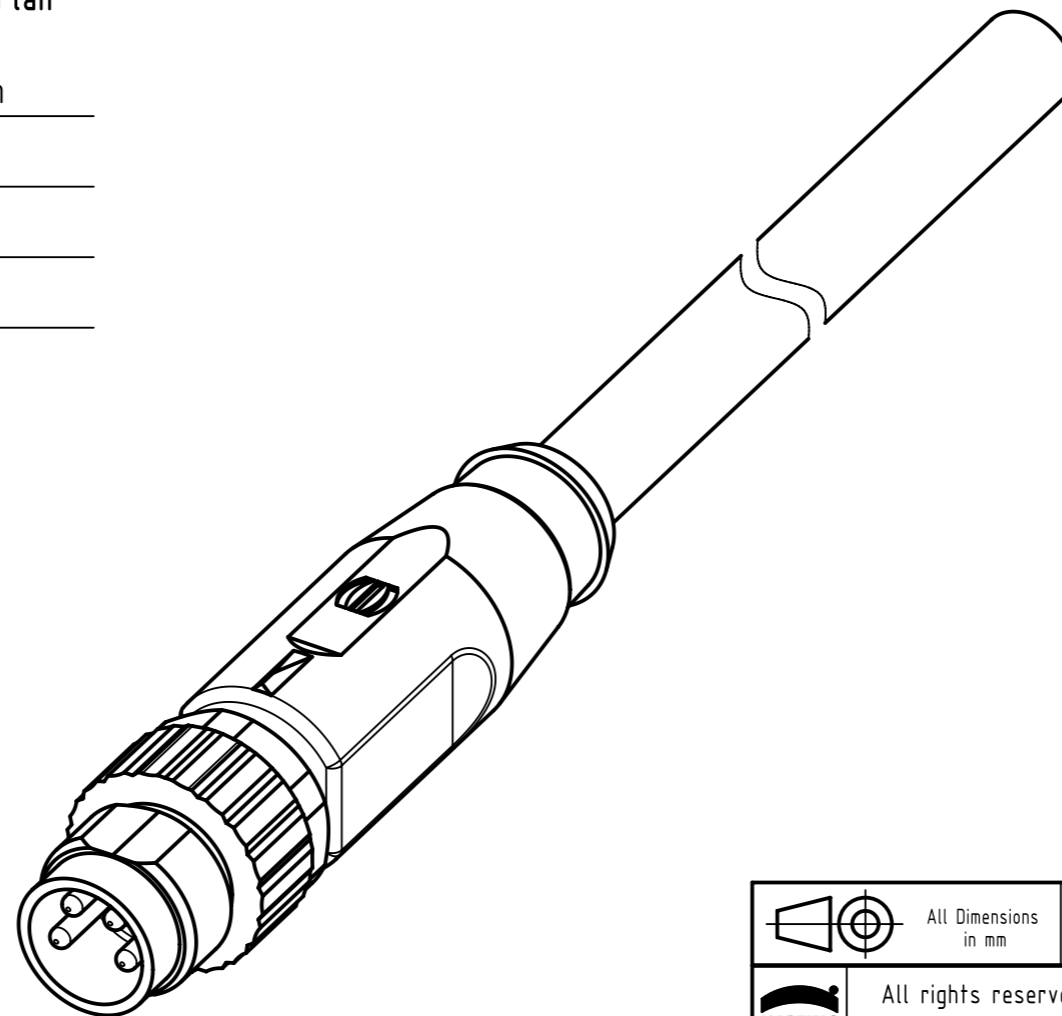
X
male



Loading-Plan

- 1 brown
- 2 white
- 3 blue
- 4 black

- Protection level: IP67
- Temperature range: -25°C ... +80°C



| | | |
|-----------------------|-------|---------|
| length in "1m" step | 40 | XXX=400 |
| | 39 | XXX=390 |
| | . | . |
| | 12 | XXX=120 |
| length in "0.1m" step | 11 | XXX=110 |
| | 10 | XXX=100 |
| | 9.9 | XXX=099 |
| | 9.8 | XXX=098 |
| | . | . |
| | 0.4 | XXX=004 |
| | 0.3 | XXX=003 |
| | 0.2 | XXX=002 |
| | 0.1 | XXX=001 |
| Step | a [m] | XXX |

| | |
|------------|-----------|
| 4.0 to 40 | ±1% |
| 0.1 to 3.9 | +0.04 |
| a [m] | Tolerance |

| | |
|---------------------------------|----------------|
| PVC grey, 4x0.25mm ² | 21348000481XXX |
| Type of cable | Part no. |

| | | | | | | |
|---|---------------------|---|----------------------------------|--|--------------------|--|
| | All rights reserved | Created by STOCHECIC Stocheci | Inspected by COSTEA Costea | Standardisation MUNTEANV Muntean | Date 2018-12-17 | State Final Release |
| | Department HCS - RO | Title M8 Cable Assembly 4-poles st/- m/- | | | | Doc-Key / ECM-Nr. 100577961/UGD/009/C 500000144934 |
| HARTING Customised Solutions D-32339 Espelkamp | | Type TB | Number 21348000481XXX | | Rev. C | Page 1/1 |