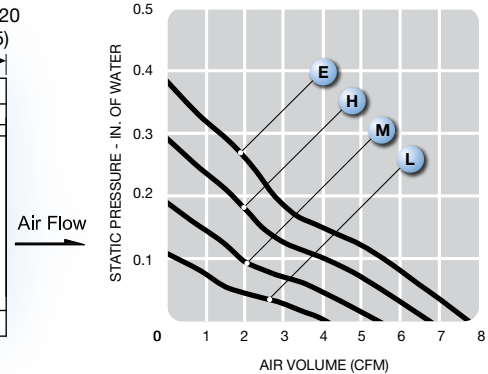
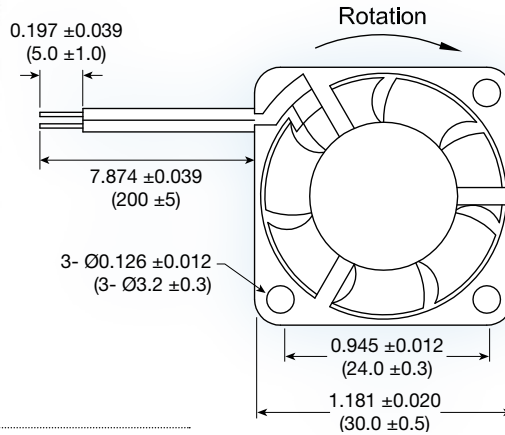


MR3010 series



(30 x 30 x 10 mm)

1.18 x 1.18 x 0.39 inches

Features: soft start, polarity protection, auto-restart

Operating Voltage: 5 or 12 VDC

Construction: UL94V-0 plastic impeller and frame

Bearing option: ball bearing or sleeve

Air Flow: air exhaust over struts

Options: tachometer output or locked rotor alarm signal

Model No.	Rated Voltage VDC	Current A		Speed RPM	Air Volume		Max. Static Pressure (H ₂ O)		Sound Noise dbA	Weight g
		5	12		M ³ /Min.	CFM	MM	INCH		
MR3010L	5/12	0.07	0.05	6,000	0.11	4.1	2.68	0.11	20.5	8
MR3010M	5/12	0.12	0.07	8,000	0.15	5.4	4.73	0.19	25.2	8
MR3010H	5/12	0.18	0.10	10,000	0.18	6.4	6.64	0.26	31.6	8
MR3010E	12	–	0.13	11,500	0.22	7.7	9.71	0.38	34.0	8

