

**Cliff Electronic Components Ltd.**

76 Holmethorpe Avenue, Holmethorpe Industrial Estate,  
Redhill, Surrey, RH1 2PF, England, UK

Tel: 01737-771375 Fax: 01737-766012 Website: [www.cliffuk.co.uk](http://www.cliffuk.co.uk)

---

# FIBER OPTIC DATA LINK

## DATA SHEET

MODEL NO. : FCR6842032T

DATE : 24-05-2021

VERSION : 1.0

DEVICE NO. : OTJ3 (OPTICAL TRANSMITTER JACK)

CUSTOMER	DESIGNER	CHECKER	APPROVER

## Cliff Electronic Components Ltd.

76 Holmethorpe Avenue, Holmethorpe Industrial Estate,

Redhill, Surrey, RH1 2PF, England, UK

Tel: 01737-771375 Fax: 01737-766012 Website: www.cliffuk.co.uk

---

### Features

- High speed signal transmission ( 16Mbps, NRZ signal )
- Input TTL compatible
- +3~+5V power source

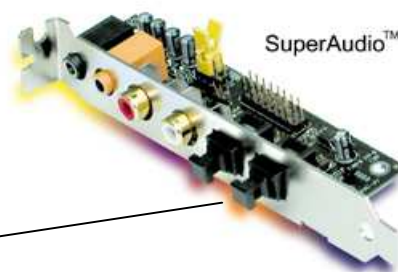
### Descriptions

The light transmitting unit is a standard-package product with connector and opto-electric component packaged with LED and drive IC. The function of unit changes the electric signal into light signal and be transmitted by plastic fiber.

The unit is operated at single+3V~ +5V and the input signal is TTL compatible. FCR6842032T has a maximum operating speed of 16 Mbps. The light signal is coupled into plastic fiber by connector. The unit has high performance at low dissipation current, steady light output and efficient light coupling.

### Applications

- Audio equipment
- DVD player
- PC, Notebook
- Sound card



### Device Selection Guide

Chip		Operating Voltage (Vcc)	Dissipation Current(mA)	Fiber Coupling Light Output (dBm)		
IC Material	LED $\lambda$ p(nm)			Min.	Typ.	Max.
Si	650	2.7~5.5	5.5	-21	-	-15

---

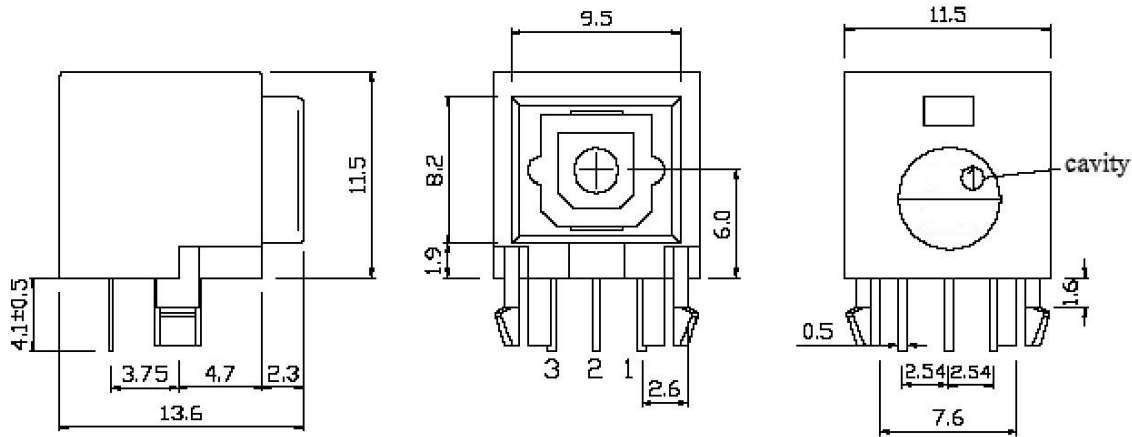
# Cliff Electronic Components Ltd.

76 Holmethorpe Avenue, Holmethorpe Industrial Estate,

Redhill, Surrey, RH1 2PF, England, UK

Tel: 01737-771375 Fax: 01737-766012 Website: www.cliffuk.co.uk

## Package Dimensions

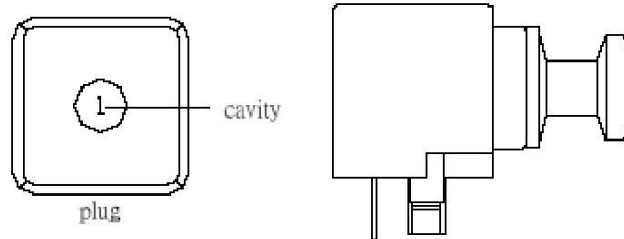


**Notes:** 1. All dimensions are in millimeters.

2. General Tolerance:  $\pm 0.2$ mm

## Pin Function

1. GND
2. Vcc
3. Vin



## Absolute Maximum Ratings( Ta = 25°C)

Parameter	Symbol	Rating	Unit
Supply Voltage	Vcc	-0.5 to 7	V
DC Input Voltage	Vin	-0.5 to Vcc+0.5	V
Power Dissipation	P	120	mW
Storage Temperature	Tstg	-30 to 80	°C
Operating Temperature	Topr	-20 to 70	°C
Soldering Temperature	Tsol	260*	°C

\* Soldering time  $\leq 5$ s/2times.

\*Don't touch flux soldering and white Gas

## Cliff Electronic Components Ltd.

76 Holmethorpe Avenue, Holmethorpe Industrial Estate,

Redhill, Surrey, RH1 2PF, England, UK

Tel: 01737-771375 Fax: 01737-766012 Website: www.cliffuk.co.uk

---

### Electro-Optical Characteristics

Parameter	Symbol	Conditions	MIN.	TYP.	MAX.	Unit
Operating Voltage	V <sub>cc</sub>	-	2.7	-	5.5	V
Peak Emission Wavelength	$\lambda_p$	-	640	-	670	nm
Transmission Speed		NRZ signal	DC	-	16	Mbps
Transmission Distance		Using APF	0.2	-	20	m
Pulse Width Distortion	$\Delta tw$	16Mbps NRZ Signal	-25	-	25	ns
Fiber Coupling Light Output	P <sub>f</sub>	*1	-21	-17	-15	dBm
Dissipation Current	I <sub>cc</sub>	*2	-	5	10	mA
High Level Input Voltage	V <sub>IH</sub>		2	-	-	v
Low Level Input Voltage	V <sub>IL</sub>		-	-	0.8	v
Rise Time	t <sub>r</sub>	*3	-	30	40	ns
Fall Time	t <sub>f</sub>	*3	-	20	30	ns
Low → High propagation delay time	t <sub>PLH</sub>	*3	-	-	100	ns
High → Low propagation delay time	t <sub>PHL</sub>	*3	-	-	100	ns
Jitter	$\Delta t_j$	*3	-	1.5	15	ns

FCR6842032T light transmitting unit satisfies EIAJ CP-1201 digital audio interface standard.

---

## Cliff Electronic Components Ltd.

76 Holmethorpe Avenue, Holmethorpe Industrial Estate,

Redhill, Surrey, RH1 2PF, England, UK

Tel: 01737-771375 Fax: 01737-766012 Website: www.cliffuk.co.uk

### Reliability Test Items

No.	Item	Test Condition	Test Hour/Cycle	Samples	Number (n) Failure (c)
1	Soldering Heat	260°C±5°C	5 sec./2times	22	n=22, c=0
2	High temp. & Hum. storage	Ta=40°C, 90%RH	500	22	n=22, c=0
3	High temp. storage	Ta=80°C	500	22	n=22, c=0
4	Low Temp. storage	Ta=-30°C	500	22	n=22, c=0
5	Temp. cycling	-30°C ~ 80°C (30min) (5min) (30min)	20	22	n=22, c=0
6	High Temp. Operation life	Ta=60°C, Vcc=5V ON	500	22	n=22, c=0
7	Repeated operation	500 times	Coupling force < 2 kg 0.4kg<Detaching force <2kg	22	n=22, c=0
8	Terminal Strength(tension)	Weight: 500 g 30 sec./each terminal		22	n=22, c=0
9	Terminal Strength(bending)	Weight: 500 g 2 times/each terminal		22	n=22, c=0
10	Mechanical Shock	Acceleration: 1000m/s <sup>2</sup> Pulse width: 6 ms 3 times/ X,Y,Z direction		22	n=22, c=0
11	Vibration	Frequency range: 10~55 Hz /sweep 1 min Overallamplitude:1.5 mm 2H./X,Y,Z direction		22	n=22, c=0

I<sub>cc</sub> (dissipation current): CURRENT ATTENUATE DIFFERENCE < 20%

P<sub>f</sub> (fiber coupling light output): BRIGHTNESS ATTENUATE DIFFERENCE < 20%

T<sub>PLH</sub> (propagation L→ H delay time): DELAY TIME DIFFERENCE < 20%

T<sub>PHL</sub> (propagation H→ L delay time): DELAY TIME DIFFERENCE < 20%

T<sub>r</sub> (rise time): TIME DIFFERENCE < 20%

# Cliff Electronic Components Ltd.

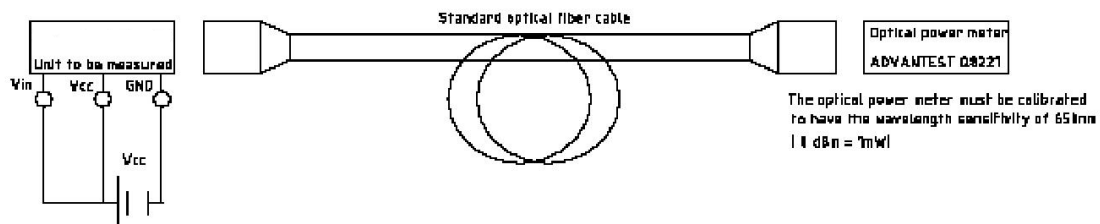
76 Holmethorpe Avenue, Holmethorpe Industrial Estate,  
Redhill, Surrey, RH1 2PF, England, UK

Tel: 01737-771375 Fax: 01737-766012 Website: www.cliffuk.co.uk

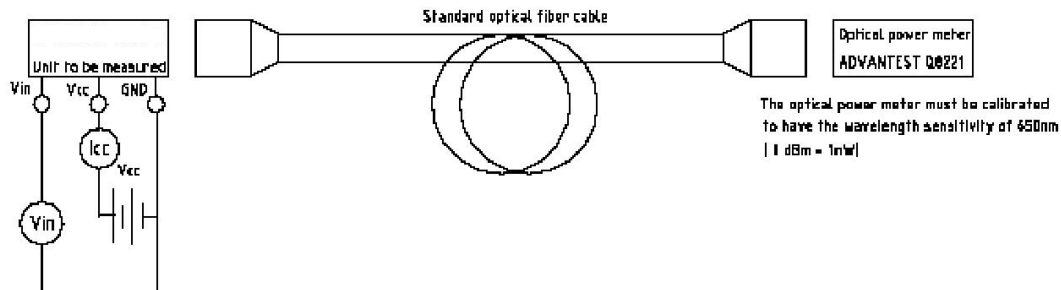
Tf (fall time): TIME DIFFERENCE < 20%

## Measuring Method

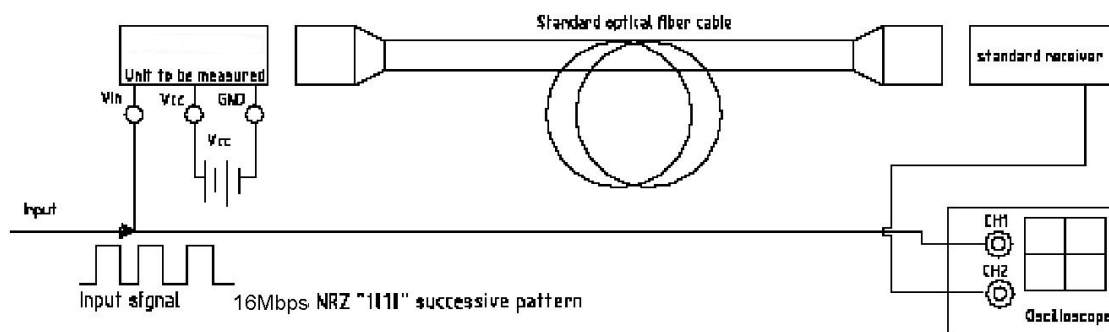
### \*1 Measuring method of optical output coupling fiber



### \*2 Input voltage/power dissipation measuring method



### \*3 Pulse response and jitter measuring method



# Cliff Electronic Components Ltd.

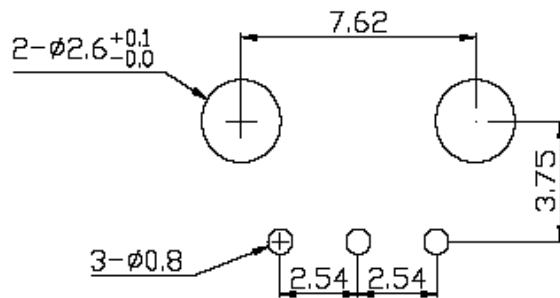
76 Holmethorpe Avenue, Holmethorpe Industrial Estate,

Redhill, Surrey, RH1 2PF, England, UK

Tel: 01737-771375 Fax: 01737-766012 Website: [www.cliffuk.co.uk](http://www.cliffuk.co.uk)

---

## PCB Layout For Electrical Circuit

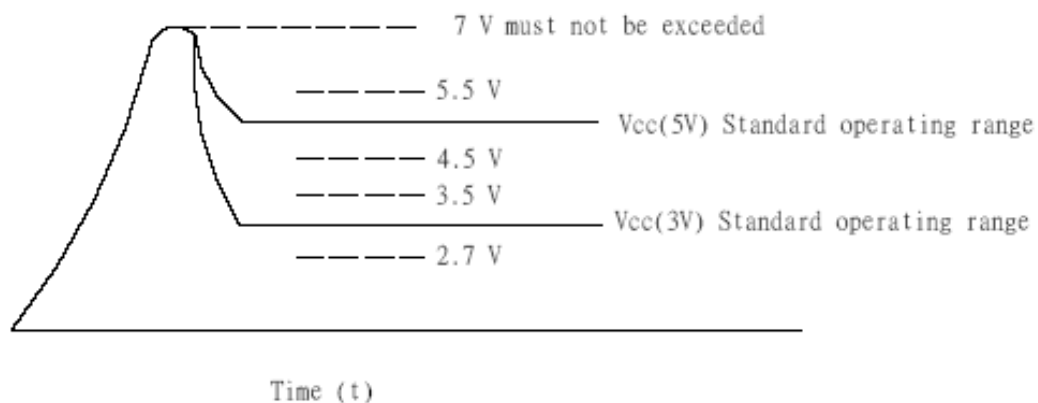


### Notes:

1. Unit:mm
2. Unspecified tolerance:  $\pm 0.3\text{mm}$
3. Substrate Thickness:1.6mm

## Precautions for Using Method

1. Connect a by-pass capacitor (0.1 $\mu\text{F}$ ) close to the FCR6842032T within 7mm of the unit lead frame.
2. Take proper electrostatic-discharge (ESD) precautions while handling these devices. These devices are sensitive to ESD.
3. Please follow the conditions described in the diagram below.



iq.ul.com

**PROSPECTOR®**

CLICK TO CONTINUE

The information presented on the UL Prospector datasheet was acquired by UL Prospector from the producer of the material. UL Prospector makes substantial efforts to assure the accuracy of this data. However, UL Prospector assumes no responsibility for the data values and strongly encourages that upon final material selection, data points are validated with the material supplier.

Component - Plastics

E107536

Guide Information

**SHINKONG SYNTHETIC FIBERS CORP**

223 YEN PING RD SEC 3, PIN CHENG TAOYUAN HSIEN 324 TW

**E202G30**

Polybutylene Terephthalate (PBT), glass reinforced, furnished as pellets

Color	Min. Thk (mm)	Flame Class	HWI	HAJ	RTI Elec	RTI Imp	RTI Str
BK	0.38	V-0	-	-	75	75	75
ALL	0.75	V-0	3	0	130	110	120
	1.5	V-0, 5VB	2	0	130	110	120
BK	1.5	V-0, 5VA	2	0	130	110	120
ALL	3.0	V-0, 5VA	2	0	130	120	130

Comparative Tracking Index (CTI): 2

Inclined Plane Tracking (IPT) kV: -

Dielectric Strength (kV/mm): 33

Volume Resistivity (10<sup>X</sup> ohm-cm): 16

High-Voltage Arc Tracking Rate (HVTR): 4

Surface Resistivity (10<sup>X</sup> ohms/square): -

Dimensional Stability (%): -

High Volt, Low Current Arc Resis (D495): 6

ANSI/UL 94 small-scale test data does not pertain to building materials, furnishings and related contents. ANSI/UL 94 small-scale test data is intended solely for determining the flammability of plastic materials used in the components and parts of end-product devices and appliances, where the acceptability of the combination is determined by UL.

Report Date: 2000-06-24

Last Revised: 2012-11-07

© 2021 UL LLC



IEC and ISO Test Methods				
Test Name	Test Method	Units	Thk (mm)	Value
Flammability	IEC 60695-11-10, IEC 60695-11-20	Class (color)	0.38	V-0 (BK)
			0.75	V-0 (ALL)
			1.5	V-0, 5VB (ALL)
			1.5	V-0, 5VA (BK)
			3.0	V-0, 5VA (ALL)
Glow-Wire Flammability (GWFI)	IEC 60695-2-12	°C	-	-
Glow-Wire Ignition (GWIT)	IEC 60695-2-13	°C	-	-
IEC Comparative Tracking Index	IEC 60112	Volts (Max)	-	-
IEC Ball Pressure	IEC 60695-10-2	°C	-	200
ISO Heat Deflection (1.80 MPa)	ISO 75-2	°C	-	-
ISO Tensile Strength	ISO 527-2	MPa	-	-
ISO Flexural Strength	ISO 178	MPa	-	-
ISO Tensile Impact	ISO 8256	kJ/m <sup>2</sup>	-	-
ISO Izod Impact	ISO 180	kJ/m <sup>2</sup>	-	-
ISO Charpy Impact	ISO 179-1	kJ/m <sup>2</sup>	-	-