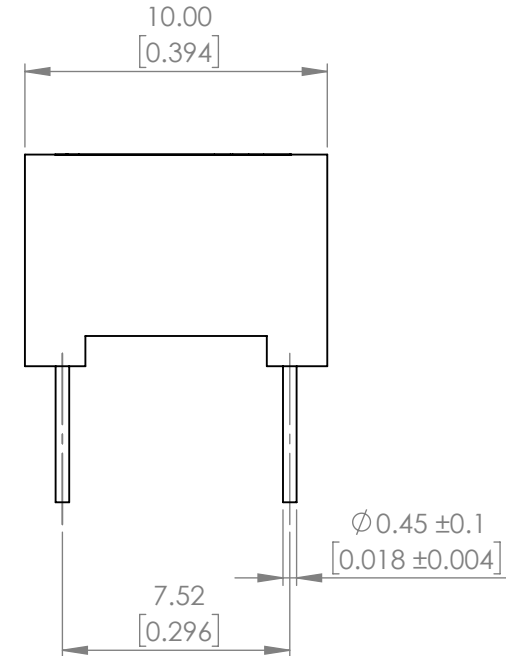
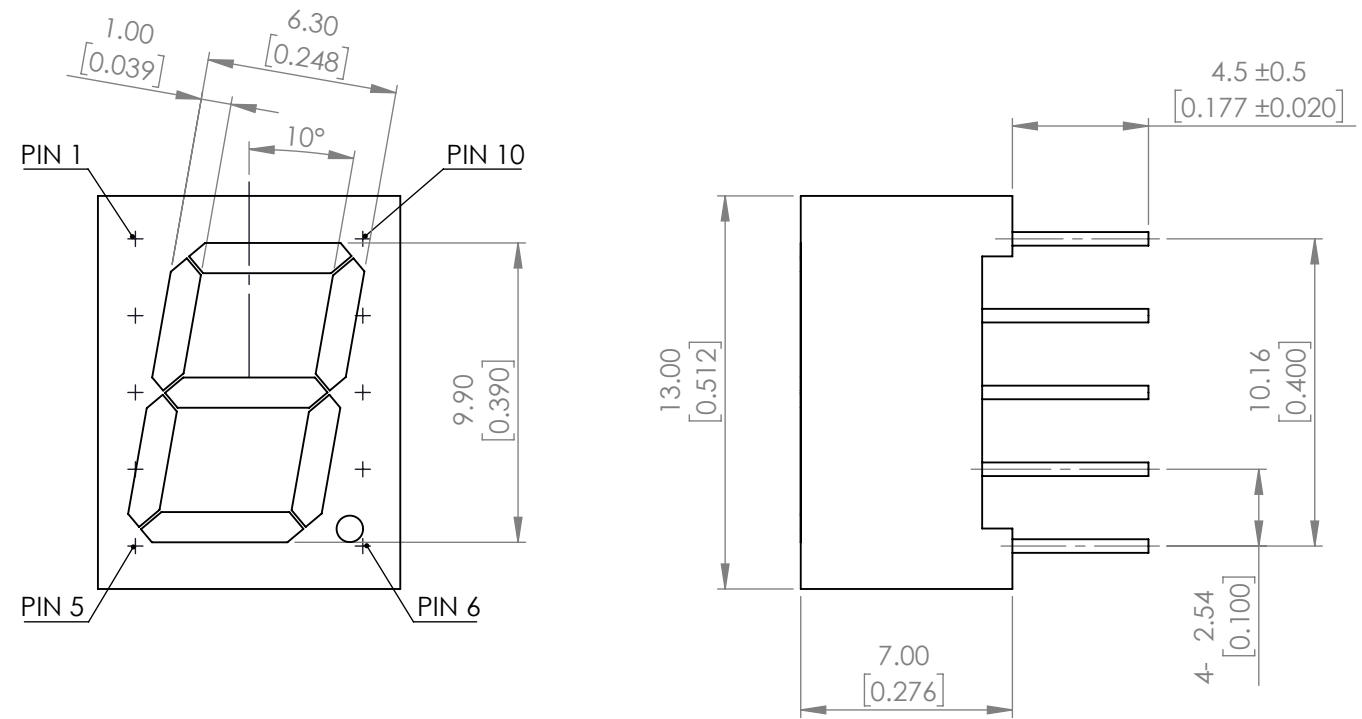
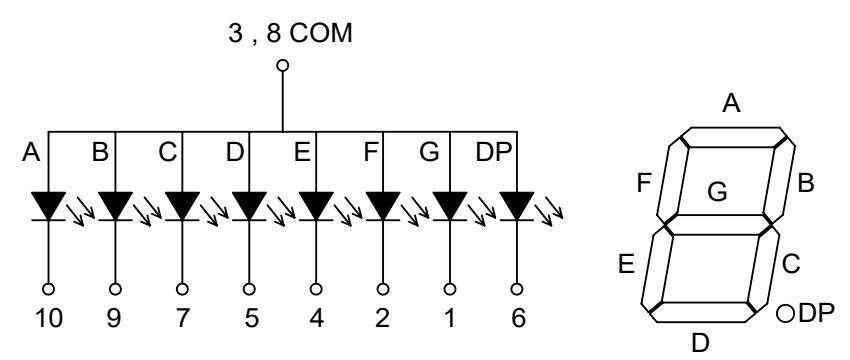


PART NUMBER		LDS-A3904RI	REV	B
REV	E.C.N. NUMBER AND REVISION COMMENTS			DATE
A	E.C.N #10BRDR. & REDRAWN IN 3D			3.23.03
B	ECN-Lumex201700031			07.04.17



**POLARITY**



**ELECTRO-OPTICAL CHARACTERISTIC TA=25°C PER SEGMENT**

PARAMETER	MIN	TYP	MAX	UNITS	TEST COND
PEAK WAVELENGTH	-	635	-	nm	If=10mA
FORWARD VOLTAGE	-	2.0	2.5	Vf	If=10mA
REVERSE VOLTAGE	-	-	5	Vr	Ir=100uA
LUMINOUS INTENSITY	-	3500	-	ucd	If=10mA
EMITTED COLOR	RED				
FONT COLOR	GRAY				
SEGMENT COLOR	MILKY WHITE DIFFUSED				

**ABSOLUTE MAXIMUM RATINGS TA=25°C PER SEGMENT**

PARAMETER	MAX	UNITS
PEAK FORWARD CURRENT*	100	mA
FORWARD CURRENT	25	mA
POWER DISIPATION	62.5	mW
STORAGE TEMPERATURE	-40 TO +85	°C
OPERATING TEMPERATURE	-40 TO +85	°C
SOLDERING TEMPERATURE**	3 SEC. MAX @ 260	°C

\* t<10us  
 \*\* AT 2mm DISTANCE FROM THE CASE OF REFLECTOR EDGE.

\*UNLESS OTHERWISE SPECIFIED TOLERANCES PER DECIMAL PRECISION ARE: X=±1 (±0.039), X.X=±0.5 (±0.020), X.XX=±0.25 (±0.010), X.XXX=±0.127 (±0.005). LEAD SIZE=±0.05 (±0.002), LEAD LENGTH=±0.75 (±0.030). MIN= <sup>+DECIMAL PRECISION</sup>/<sub>-0.00</sub> MAX.= <sup>+0.00</sup>/<sub>-DECIMAL PRECISION</sub>