



ITEM #	QTY	MOLEX PART NUMBER	DESCRIPTION	MATERIAL
1	1	33214-0001	INS. CONN. RECEPTACLE	INS. GF. NYLON
2	1	33214-0002	INS. CONN. RECEPTACLE	INS. GF. NYLON
3	1	33214-0003	INS. CONN. RECEPTACLE	INS. GF. NYLON
4	1	33214-0004	INS. CONN. RECEPTACLE	INS. GF. NYLON
5	1	33214-0005	INS. CONN. RECEPTACLE	INS. GF. NYLON
6	1	33214-0006	INS. CONN. RECEPTACLE	INS. GF. NYLON

ITEM #	QTY	MOLEX PART NUMBER	DESCRIPTION	MATERIAL
1	1	33214-0007	INS. CONN. RECEPTACLE	INS. GF. NYLON
2	1	33214-0008	INS. CONN. RECEPTACLE	INS. GF. NYLON
3	1	33214-0009	INS. CONN. RECEPTACLE	INS. GF. NYLON
4	1	33214-0010	INS. CONN. RECEPTACLE	INS. GF. NYLON
5	1	33214-0011	INS. CONN. RECEPTACLE	INS. GF. NYLON
6	1	33214-0012	INS. CONN. RECEPTACLE	INS. GF. NYLON

ITEM #	QTY	MOLEX PART NUMBER	DESCRIPTION	MATERIAL
1	1	33214-0013	INS. CONN. RECEPTACLE	INS. GF. NYLON
2	1	33214-0014	INS. CONN. RECEPTACLE	INS. GF. NYLON
3	1	33214-0015	INS. CONN. RECEPTACLE	INS. GF. NYLON
4	1	33214-0016	INS. CONN. RECEPTACLE	INS. GF. NYLON
5	1	33214-0017	INS. CONN. RECEPTACLE	INS. GF. NYLON
6	1	33214-0018	INS. CONN. RECEPTACLE	INS. GF. NYLON

ITEM #	QTY	MOLEX PART NUMBER	DESCRIPTION	MATERIAL
1	1	33214-0019	INS. CONN. RECEPTACLE	INS. GF. NYLON
2	1	33214-0020	INS. CONN. RECEPTACLE	INS. GF. NYLON
3	1	33214-0021	INS. CONN. RECEPTACLE	INS. GF. NYLON
4	1	33214-0022	INS. CONN. RECEPTACLE	INS. GF. NYLON
5	1	33214-0023	INS. CONN. RECEPTACLE	INS. GF. NYLON
6	1	33214-0024	INS. CONN. RECEPTACLE	INS. GF. NYLON

ITEM #	QTY	MOLEX PART NUMBER	DESCRIPTION	MATERIAL
1	1	33214-0025	INS. CONN. RECEPTACLE	INS. GF. NYLON
2	1	33214-0026	INS. CONN. RECEPTACLE	INS. GF. NYLON
3	1	33214-0027	INS. CONN. RECEPTACLE	INS. GF. NYLON
4	1	33214-0028	INS. CONN. RECEPTACLE	INS. GF. NYLON
5	1	33214-0029	INS. CONN. RECEPTACLE	INS. GF. NYLON
6	1	33214-0030	INS. CONN. RECEPTACLE	INS. GF. NYLON

ITEM #	QTY	MOLEX PART NUMBER	DESCRIPTION	MATERIAL
1	1	33214-0031	INS. CONN. RECEPTACLE	INS. GF. NYLON
2	1	33214-0032	INS. CONN. RECEPTACLE	INS. GF. NYLON
3	1	33214-0033	INS. CONN. RECEPTACLE	INS. GF. NYLON
4	1	33214-0034	INS. CONN. RECEPTACLE	INS. GF. NYLON
5	1	33214-0035	INS. CONN. RECEPTACLE	INS. GF. NYLON
6	1	33214-0036	INS. CONN. RECEPTACLE	INS. GF. NYLON

ITEM #	QTY	MOLEX PART NUMBER	DESCRIPTION	MATERIAL
1	1	33214-0037	INS. CONN. RECEPTACLE	INS. GF. NYLON
2	1	33214-0038	INS. CONN. RECEPTACLE	INS. GF. NYLON
3	1	33214-0039	INS. CONN. RECEPTACLE	INS. GF. NYLON
4	1	33214-0040	INS. CONN. RECEPTACLE	INS. GF. NYLON
5	1	33214-0041	INS. CONN. RECEPTACLE	INS. GF. NYLON
6	1	33214-0042	INS. CONN. RECEPTACLE	INS. GF. NYLON

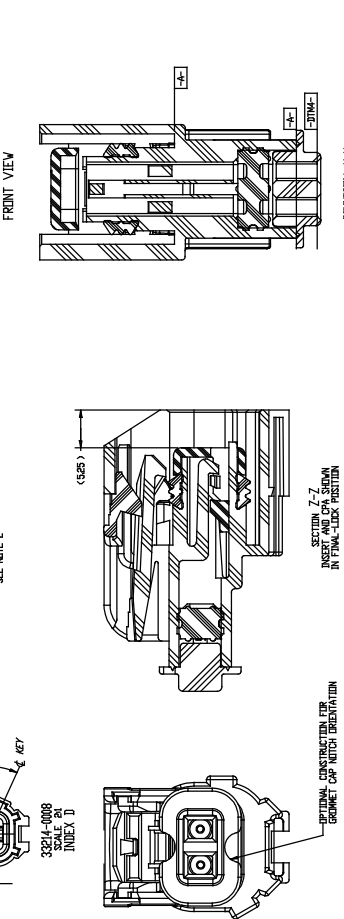
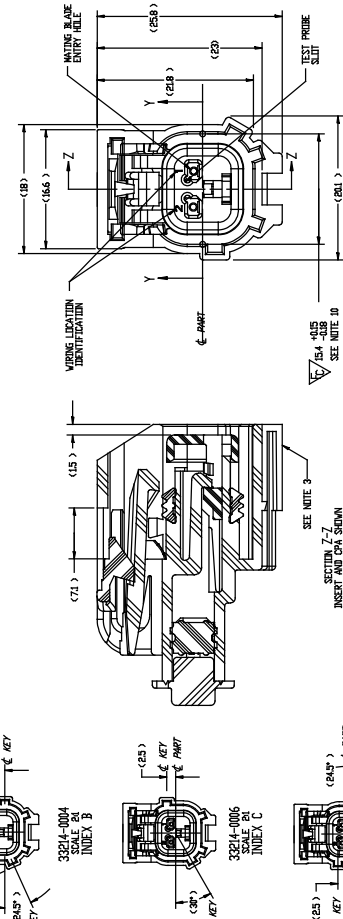
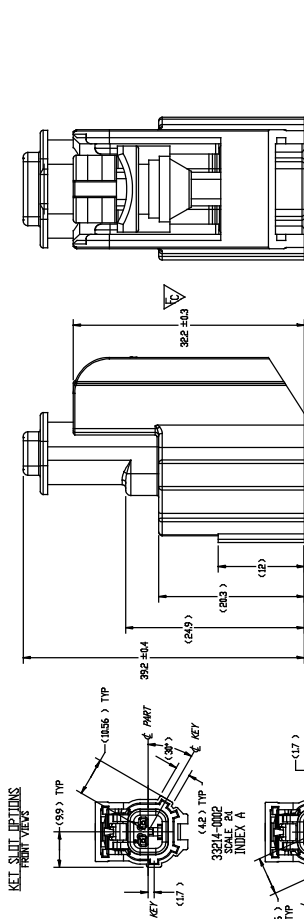
ITEM #	QTY	MOLEX PART NUMBER	DESCRIPTION	MATERIAL
1	1	33214-0043	INS. CONN. RECEPTACLE	INS. GF. NYLON
2	1	33214-0044	INS. CONN. RECEPTACLE	INS. GF. NYLON
3	1	33214-0045	INS. CONN. RECEPTACLE	INS. GF. NYLON
4	1	33214-0046	INS. CONN. RECEPTACLE	INS. GF. NYLON
5	1	33214-0047	INS. CONN. RECEPTACLE	INS. GF. NYLON
6	1	33214-0048	INS. CONN. RECEPTACLE	INS. GF. NYLON

ITEM #	QTY	MOLEX PART NUMBER	DESCRIPTION	MATERIAL
1	1	33214-0049	INS. CONN. RECEPTACLE	INS. GF. NYLON
2	1	33214-0050	INS. CONN. RECEPTACLE	INS. GF. NYLON
3	1	33214-0051	INS. CONN. RECEPTACLE	INS. GF. NYLON
4	1	33214-0052	INS. CONN. RECEPTACLE	INS. GF. NYLON
5	1	33214-0053	INS. CONN. RECEPTACLE	INS. GF. NYLON
6	1	33214-0054	INS. CONN. RECEPTACLE	INS. GF. NYLON

ITEM #	QTY	MOLEX PART NUMBER	DESCRIPTION	MATERIAL
1	1	33214-0055	INS. CONN. RECEPTACLE	INS. GF. NYLON
2	1	33214-0056	INS. CONN. RECEPTACLE	INS. GF. NYLON
3	1	33214-0057	INS. CONN. RECEPTACLE	INS. GF. NYLON
4	1	33214-0058	INS. CONN. RECEPTACLE	INS. GF. NYLON
5	1	33214-0059	INS. CONN. RECEPTACLE	INS. GF. NYLON
6	1	33214-0060	INS. CONN. RECEPTACLE	INS. GF. NYLON

ITEM #	QTY	MOLEX PART NUMBER	DESCRIPTION	MATERIAL
1	1	33214-0061	INS. CONN. RECEPTACLE	INS. GF. NYLON
2	1	33214-0062	INS. CONN. RECEPTACLE	INS. GF. NYLON
3	1	33214-0063	INS. CONN. RECEPTACLE	INS. GF. NYLON
4	1	33214-0064	INS. CONN. RECEPTACLE	INS. GF. NYLON
5	1	33214-0065	INS. CONN. RECEPTACLE	INS. GF. NYLON
6	1	33214-0066	INS. CONN. RECEPTACLE	INS. GF. NYLON

ITEM #	QTY	MOLEX PART NUMBER	DESCRIPTION	MATERIAL
1	1	33214-0067	INS. CONN. RECEPTACLE	INS. GF. NYLON
2	1	33214-0068	INS. CONN. RECEPTACLE	INS. GF. NYLON
3	1	33214-0069	INS. CONN. RECEPTACLE	INS. GF. NYLON
4	1	33214-0070	INS. CONN. RECEPTACLE	INS. GF. NYLON
5	1	33214-0071	INS. CONN. RECEPTACLE	INS. GF. NYLON
6	1	33214-0072	INS. CONN. RECEPTACLE	INS. GF. NYLON



QUALITY SYMBOL COUNT	PERFORMANCE	ASSEMBLY	CUSTOMER
△ = 0	△ = 0	△ = 6	

QUALITY SYMBOLS	GENERAL TOLERANCES (UNLESS SPECIFIED)	SCALE	DESIGN UNITS	TITLE
△	4 PLACES ± MM 3 PLACES ± MM 1 PLACE ± MM	4:1	MM	RECEPTACLE ASSEMBLY 2WAY INLINE

QUALITY SYMBOLS	GENERAL TOLERANCES (UNLESS SPECIFIED)	SCALE	DESIGN UNITS	TITLE
△	4 PLACES ± MM 3 PLACES ± MM 1 PLACE ± MM	4:1	MM	RECEPTACLE ASSEMBLY 2WAY INLINE

- NOTES
- DESIGNED TO MATE WITH MOLEX BULK CONNECTORS & 33214-0005, 33214-0006, 33214-0007, 33214-0008. SEE EXPLODED VIEW FOR MATE. DRAWING IS 5-502-1-20. GET CHRYSLER PART # 4795860.
 - ASSEMBLY SHIPPED WITH INSERT AND OPA IN PRE-LOCK POSITION. THE INSERT MUST BE SHIPPED INTO ITS FINAL LOCK POSITION. THE FINAL LOCK POSITION USE, SECTION 7.2 FINAL-LOCK.
 - SEE CLIP SLIT DESIGNED FOR CHRYSLER PART # 468847.
 - SEE MOLEX DRAWING 33-5815-001 FOR TERMINAL USE.
 - THE MOLEX DRAWING 33-5815-001 FOR A SET OF 4/15 TERMINALS.
 - FORCE TO PUSH INSERT INTO FINAL-LOCK POSITION IS 8 NIN, 20 N IN MAX.
 - MINIMUM FORCE TO TAKE INSERT FROM FINAL-LOCK TO PRE-LOCK IS 250 N.
 - MINIMUM FORCE TO REMOVE INSERT FROM CONNECTOR ONCE IN PRE-LOCK IS 150 N.
 - GROMMET CAP TO BE SPACIALLY WELDED TO CONNECTOR. HOLDING GROMMET CAP TO TEST OR EXCEED 100 N OF PULL-UP FORCE.
 - HIGHLIGHTED DIMENSION TO BE MEASURED AT DATUM \square .

MOLEX P/N	QTY	REF. CUST. P/N
33214-0001	YES	04793017
33214-0004	YES	07915704
33214-0006	YES	04793017
33214-0008	YES	07915704

REV	DESCRIPTION	DATE	BY
1	DESIGN	05/09/96	AS
2	APP. FOR KHS		
3	APP. FOR KHS		
4	APP. FOR KHS		
5	APP. FOR KHS		
6	APP. FOR KHS		

REV	DESCRIPTION	DATE	BY
1	DESIGN	05/09/96	AS
2	APP. FOR KHS		
3	APP. FOR KHS		
4	APP. FOR KHS		
5	APP. FOR KHS		
6	APP. FOR KHS		

REV	DESCRIPTION	DATE	BY
1	DESIGN	05/09/96	AS
2	APP. FOR KHS		
3	APP. FOR KHS		
4	APP. FOR KHS		
5	APP. FOR KHS		
6	APP. FOR KHS		

REV	DESCRIPTION	DATE	BY
1	DESIGN	05/09/96	AS
2	APP. FOR KHS		
3	APP. FOR KHS		
4	APP. FOR KHS		
5	APP. FOR KHS		
6	APP. FOR KHS		

THIS DRAWING CONTAINS INFORMATION THAT IS PROPRIETARY TO MOLEX INCORPORATED AND SHOULD NOT BE USED WITHOUT WRITTEN PERMISSION