

# ON Semiconductor

## Is Now

# onsemi™

To learn more about onsemi™, please visit our website at  
[www.onsemi.com](http://www.onsemi.com)

---

**onsemi** and **onsemi** and other names, marks, and brands are registered and/or common law trademarks of Semiconductor Components Industries, LLC dba "**onsemi**" or its affiliates and/or subsidiaries in the United States and/or other countries. **onsemi** owns the rights to a number of patents, trademarks, copyrights, trade secrets, and other intellectual property. A listing of **onsemi** product/patent coverage may be accessed at [www.onsemi.com/site/pdf/Patent-Marking.pdf](http://www.onsemi.com/site/pdf/Patent-Marking.pdf). **onsemi** reserves the right to make changes at any time to any products or information herein, without notice. The information herein is provided "as-is" and **onsemi** makes no warranty, representation or guarantee regarding the accuracy of the information, product features, availability, functionality, or suitability of its products for any particular purpose, nor does **onsemi** assume any liability arising out of the application or use of any product or circuit, and specifically disclaims any and all liability, including without limitation special, consequential or incidental damages. Buyer is responsible for its products and applications using **onsemi** products, including compliance with all laws, regulations and safety requirements or standards, regardless of any support or applications information provided by **onsemi**. "Typical" parameters which may be provided in **onsemi** data sheets and/or specifications can and do vary in different applications and actual performance may vary over time. All operating parameters, including "Typicals" must be validated for each customer application by customer's technical experts. **onsemi** does not convey any license under any of its intellectual property rights nor the rights of others. **onsemi** products are not designed, intended, or authorized for use as a critical component in life support systems or any FDA Class 3 medical devices or medical devices with a same or similar classification in a foreign jurisdiction or any devices intended for implantation in the human body. Should Buyer purchase or use **onsemi** products for any such unintended or unauthorized application, Buyer shall indemnify and hold **onsemi** and its officers, employees, subsidiaries, affiliates, and distributors harmless against all claims, costs, damages, and expenses, and reasonable attorney fees arising out of, directly or indirectly, any claim of personal injury or death associated with such unintended or unauthorized use, even if such claim alleges that **onsemi** was negligent regarding the design or manufacture of the part. **onsemi** is an Equal Opportunity/Affirmative Action Employer. This literature is subject to all applicable copyright laws and is not for resale in any manner. Other names and brands may be claimed as the property of others.



## 1Mb Ultra-Low Power Asynchronous CMOS SRAM

128K × 8 bit

### Overview

The N01L83W2A is an integrated memory device containing a 1 Mbit Static Random Access Memory organized as 131,072 words by 8 bits. The device is designed and fabricated using ON Semiconductor's advanced CMOS technology to provide both high-speed performance and ultra-low power. The device operates with two chip enable ( $\overline{CE1}$  and  $\overline{CE2}$ ) controls and output enable ( $\overline{OE}$ ) to allow for easy memory expansion. The N01L83W2A is optimal for various applications where low-power is critical such as battery backup and hand-held devices. The device can operate over a very wide temperature range of  $-40^{\circ}\text{C}$  to  $+85^{\circ}\text{C}$  and is available in JEDEC standard packages compatible with other standard 128Kb x 8 SRAMs.

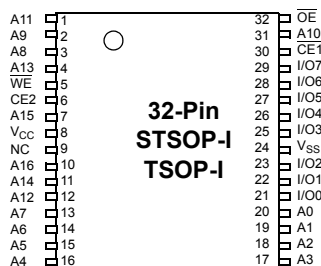
### Features

- **Single Wide Power Supply Range**  
2.3 to 3.6 Volts
- **Very low standby current**  
2.0 $\mu\text{A}$  at 3.0V (Typical)
- **Very low operating current**  
2.0mA at 3.0V and 1 $\mu\text{s}$  (Typical)
- **Very low Page Mode operating current**  
0.8mA at 3.0V and 1 $\mu\text{s}$  (Typical)
- **Simple memory control**  
Dual Chip Enables ( $\overline{CE1}$  and  $\overline{CE2}$ )  
Output Enable ( $\overline{OE}$ ) for memory expansion
- **Low voltage data retention**  
 $V_{CC} = 1.8\text{V}$
- **Very fast output enable access time**  
30ns  $\overline{OE}$  access time
- **Automatic power down to standby mode**
- **TTL compatible three-state output driver**

### Product Family

| Part Number | Package Type       | Operating Temperature                          | Power Supply ( $V_{CC}$ ) | Speed                      | Standby Current ( $I_{SB}$ ), Typical | Operating Current ( $I_{CC}$ ), Typical |
|-------------|--------------------|--|---------------------------|----------------------------|---------------------------------------|---|
| N01L83W2AT  | 32 - TSOP I        | $-40^{\circ}\text{C}$ to $+85^{\circ}\text{C}$ | 2.3V - 3.6V               | 55ns @ 2.7V<br>70ns @ 2.3V | 2 $\mu\text{A}$                       | 2 mA @ 1MHz                             |
| N01L83W2AN  | 32 - STSOP I       |  |                           |                            |                                       |   |
| N01L83W2AT2 | 32 - TSOP I Green  |  |                           |                            |                                       |   |
| N01L83W2AN2 | 32 - STSOP I Green |  |                           |                            |                                       |   |

### Pin Configuration

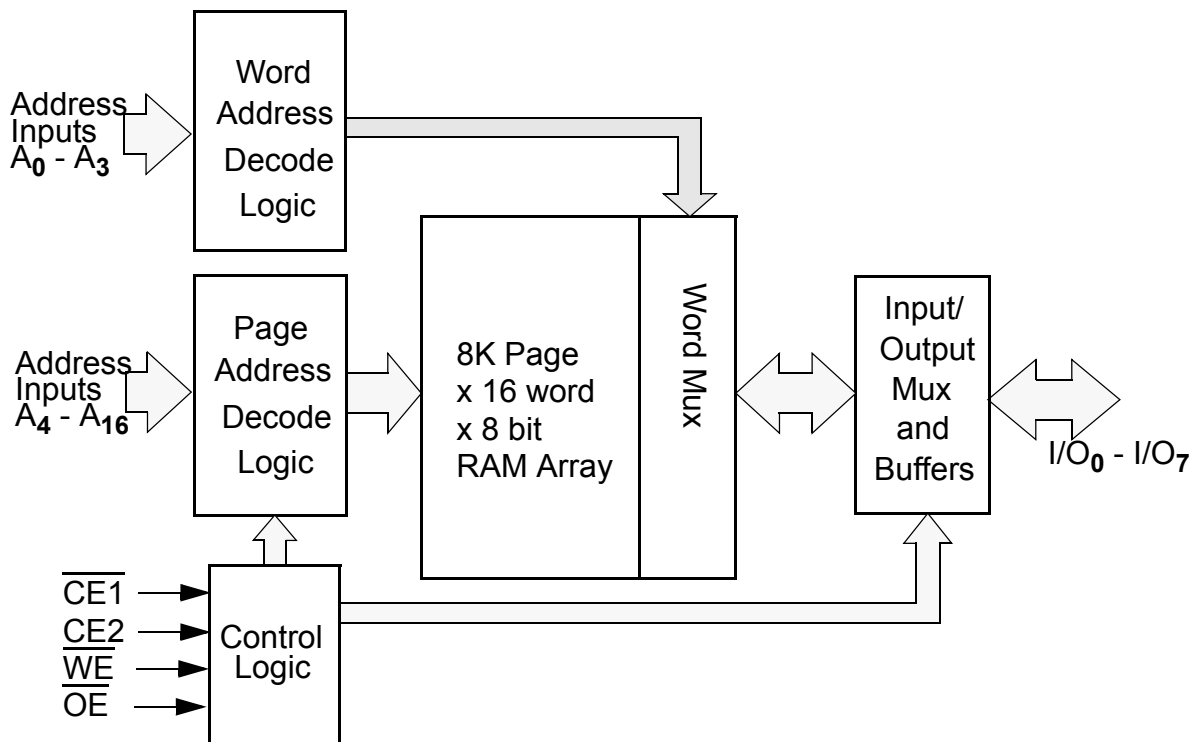


### Pin Descriptions

| Pin Name                            | Pin Function        |
|-------------------------------------|---------------------|
| $A_0$ - $A_{16}$                    | Address Inputs      |
| $\overline{WE}$                     | Write Enable Input  |
| $\overline{CE1}$ , $\overline{CE2}$ | Chip Enable Input   |
| $\overline{OE}$                     | Output Enable Input |
| I/O <sub>0</sub> -I/O <sub>7</sub>  | Data Inputs/Outputs |
| $V_{CC}$                            | Power               |
| $V_{SS}$                            | Ground              |
| NC                                  | Not Connected       |

# N01L83W2A

## Functional Block Diagram



## Functional Description

| $\overline{\text{CE1}}$ | $\text{CE2}$ | $\overline{\text{WE}}$ | $\overline{\text{OE}}$ | $\text{I/O}_0 - \text{I/O}_7$ | MODE                 | POWER   |
|-------------------------|--------------|------------------------|------------------------|-------------------------------|----------------------|---------|
| H                       | X            | X                      | X                      | High Z                        | Standby <sup>1</sup> | Standby |
| X                       | L            | X                      | X                      | High Z                        | Standby <sup>1</sup> | Standby |
| L                       | H            | L                      | X <sup>2</sup>         | Data In                       | Write <sup>2</sup>   | Active  |
| L                       | H            | H                      | L                      | Data Out                      | Read                 | Active  |
| L                       | H            | H                      | H                      | High Z                        | Active               | Active  |

1. When the device is in standby mode, control inputs ( $\overline{\text{WE}}$  and  $\overline{\text{OE}}$ ), address inputs and data input/outputs are internally isolated from any external influence and disabled from exerting any influence externally.

2. When  $\overline{\text{WE}}$  is invoked, the  $\overline{\text{OE}}$  input is internally disabled and has no effect on the circuit.

## Capacitance<sup>1</sup>

| Item              | Symbol           | Test Condition   | Min | Max | Unit |
|-------------------|------------------|--|-----|-----|------|
| Input Capacitance | $C_{\text{IN}}$  | $V_{\text{IN}} = 0\text{V}$ , $f = 1\text{ MHz}$ , $T_{\text{A}} = 25^{\circ}\text{C}$ |     | 8   | pF   |
| I/O Capacitance   | $C_{\text{I/O}}$ | $V_{\text{IN}} = 0\text{V}$ , $f = 1\text{ MHz}$ , $T_{\text{A}} = 25^{\circ}\text{C}$ |     | 8   | pF   |

1. These parameters are verified in device characterization and are not 100% tested

# N01L83W2A

## Absolute Maximum Ratings<sup>1</sup>

| Item  | Symbol              | Rating                       | Unit |
|---|---------------------|------------------------------|------|
| Voltage on any pin relative to V <sub>SS</sub>                | V <sub>IN,OUT</sub> | -0.3 to V <sub>CC</sub> +0.3 | V    |
| Voltage on V <sub>CC</sub> Supply Relative to V <sub>SS</sub> | V <sub>CC</sub>     | -0.3 to 4.5                  | V    |
| Power Dissipation   | P <sub>D</sub>      | 500                          | mW   |
| Storage Temperature   | T <sub>STG</sub>    | -40 to 125                   | °C   |
| Operating Temperature   | T <sub>A</sub>      | -40 to +85                   | °C   |
| Soldering Temperature and Time                                | T <sub>SOLDER</sub> | 260°C, 10sec                 | °C   |

1. Stresses greater than those listed above may cause permanent damage to the device. This is a stress rating only and functional operation of the device at these or any other conditions above those indicated in the operating section of this specification is not implied. Exposure to absolute maximum rating conditions for extended periods may affect reliability.

## Operating Characteristics (Over Specified Temperature Range)

| Item  | Symbol           | Test Conditions   | Min.                 | Typ <sup>1</sup> | Max                  | Unit |
|---|------------------|---|----------------------|------------------|----------------------|------|
| Supply Voltage  | V <sub>CC</sub>  |   | 2.3                  | 3.0              | 3.6                  | V    |
| Data Retention Voltage  | V <sub>DR</sub>  | Chip Disabled <sup>3</sup>  | 1.8                  |                  |                      | V    |
| Input High Voltage  | V <sub>IH</sub>  |   | 1.8                  |                  | V <sub>CC</sub> +0.3 | V    |
| Input Low Voltage   | V <sub>IL</sub>  |   | -0.3                 |                  | 0.6                  | V    |
| Output High Voltage   | V <sub>OH</sub>  | I <sub>OH</sub> = 0.2mA   | V <sub>CC</sub> -0.2 |                  |                      | V    |
| Output Low Voltage  | V <sub>OL</sub>  | I <sub>OL</sub> = -0.2mA  |                      |                  | 0.2                  | V    |
| Input Leakage Current   | I <sub>LI</sub>  | V <sub>IN</sub> = 0 to V <sub>CC</sub>  |                      |                  | 0.5                  | μA   |
| Output Leakage Current  | I <sub>LO</sub>  | $\overline{OE}$ = V <sub>IH</sub> or Chip Disabled  |                      |                  | 0.5                  | μA   |
| Read/Write Operating Supply Current @ 1 μS Cycle Time <sup>2</sup>  | I <sub>CC1</sub> | V <sub>CC</sub> =3.6 V, V <sub>IN</sub> =V <sub>IH</sub> or V <sub>IL</sub><br>Chip Enabled, I <sub>OUT</sub> = 0           |                      | 2.0              | 3.0                  | mA   |
| Read/Write Operating Supply Current @ 70 nS Cycle Time <sup>2</sup>   | I <sub>CC2</sub> | V <sub>CC</sub> =3.6 V, V <sub>IN</sub> =V <sub>IH</sub> or V <sub>IL</sub><br>Chip Enabled, I <sub>OUT</sub> = 0           |                      | 9.5              | 14.0                 | mA   |
| Page Mode Operating Supply Current @ 70ns Cycle Time <sup>2</sup> (Refer to Power Savings with Page Mode Operation diagram) | I <sub>CC3</sub> | V <sub>CC</sub> =3.6 V, V <sub>IN</sub> =V <sub>IH</sub> or V <sub>IL</sub><br>Chip Enabled, I <sub>OUT</sub> = 0,          |                      | 4                |                      | mA   |
| Read/Write Quiescent Operating Supply Current <sup>3</sup>  | I <sub>CC4</sub> | V <sub>CC</sub> =3.6 V, V <sub>IN</sub> =V <sub>IH</sub> or V <sub>IL</sub><br>Chip Enabled, I <sub>OUT</sub> = 0,<br>f = 0 |                      |                  | 3.0                  | mA   |
| Maximum Standby Current <sup>3</sup>  | I <sub>SB1</sub> | V <sub>IN</sub> = V <sub>CC</sub> or 0V<br>Chip Disabled<br>t <sub>A</sub> = 85°C, V <sub>CC</sub> = 3.6 V                  |                      | 2.0              | 20                   | μA   |
| Maximum Data Retention Current <sup>3</sup>   | I <sub>DR</sub>  | V <sub>CC</sub> = 1.8V, V <sub>IN</sub> = V <sub>CC</sub> or 0<br>Chip Disabled, t <sub>A</sub> = 85°C                      |                      |                  | 10                   | μA   |

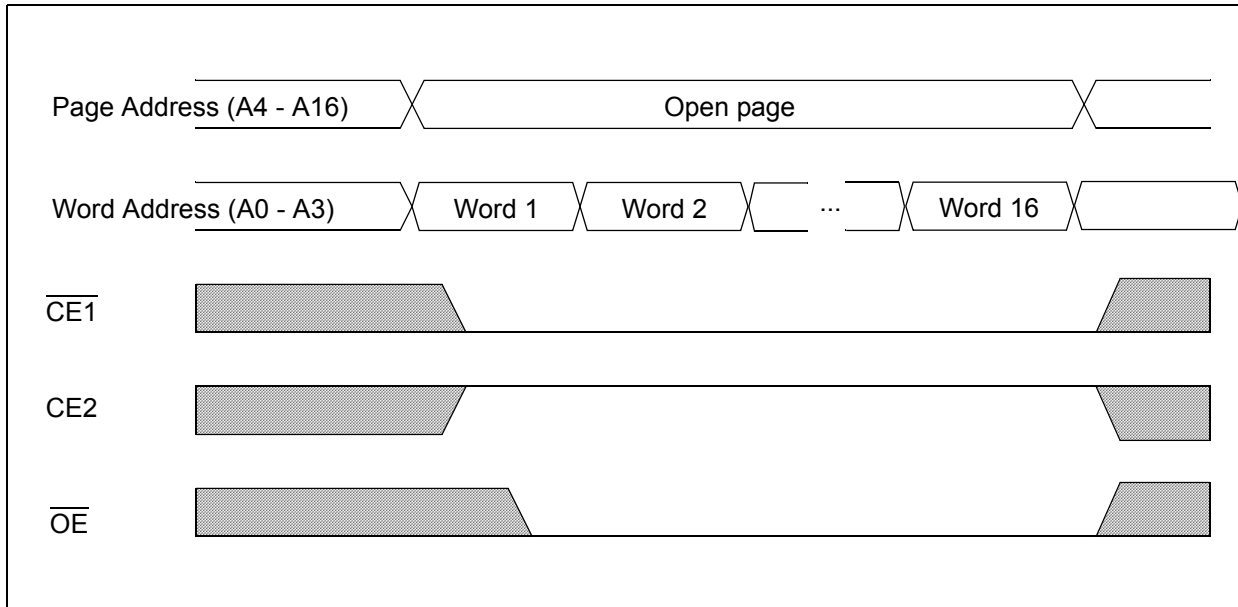
1. Typical values are measured at V<sub>CC</sub>=V<sub>CC</sub> Typ., T<sub>A</sub>=25°C and not 100% tested.

2. This parameter is specified with the outputs disabled to avoid external loading effects. The user must add current required to drive output capacitance expected in the actual system.

3. This device assumes a standby mode if the chip is disabled ( $\overline{CE1}$  high or CE2 low). In order to achieve low standby current all inputs must be within 0.2 volts of either V<sub>CC</sub> or V<sub>SS</sub>.

# N01L83W2A

## Power Savings with Page Mode Operation ( $\overline{WE} = V_{IH}$ )



Note: Page mode operation is a method of addressing the SRAM to save operating current. The internal organization of the SRAM is optimized to allow this unique operating mode to be used as a valuable power saving feature.

The only thing that needs to be done is to address the SRAM in a manner that the internal page is left open and 8-bit words of data are read from the open page. By treating addresses A0-A3 as the least significant bits and addressing the 16 words within the open page, power is reduced to the page mode value which is considerably lower than standard operating currents for low power SRAMs.

# N01L83W2A

## Timing Test Conditions

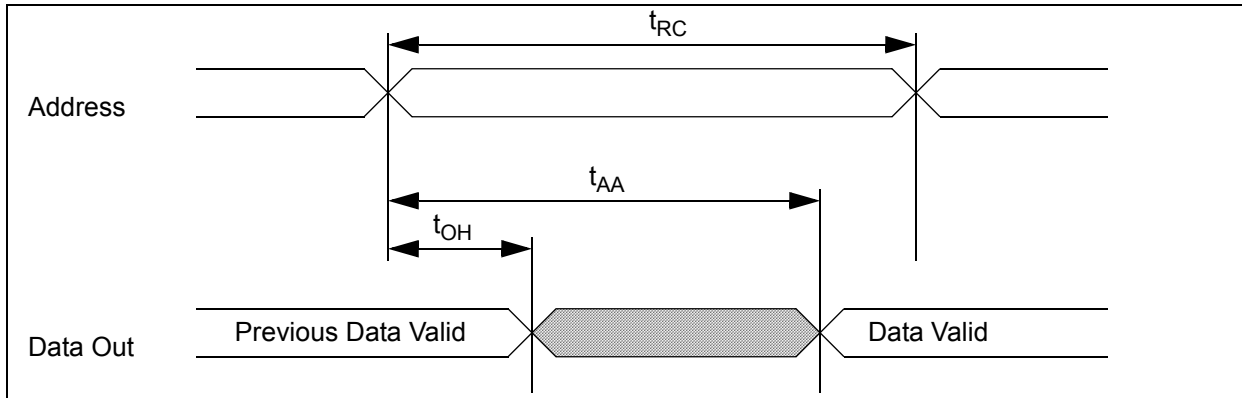
| Item                                     |   |
|--|---|
| Input Pulse Level                        | 0.1V <sub>CC</sub> to 0.9 V <sub>CC</sub> |
| Input Rise and Fall Time                 | 5ns                                       |
| Input and Output Timing Reference Levels | 0.5 V <sub>CC</sub>                       |
| Output Load                              | CL = 30pF                                 |
| Operating Temperature                    | -40 to +85 °C                             |

## Timing

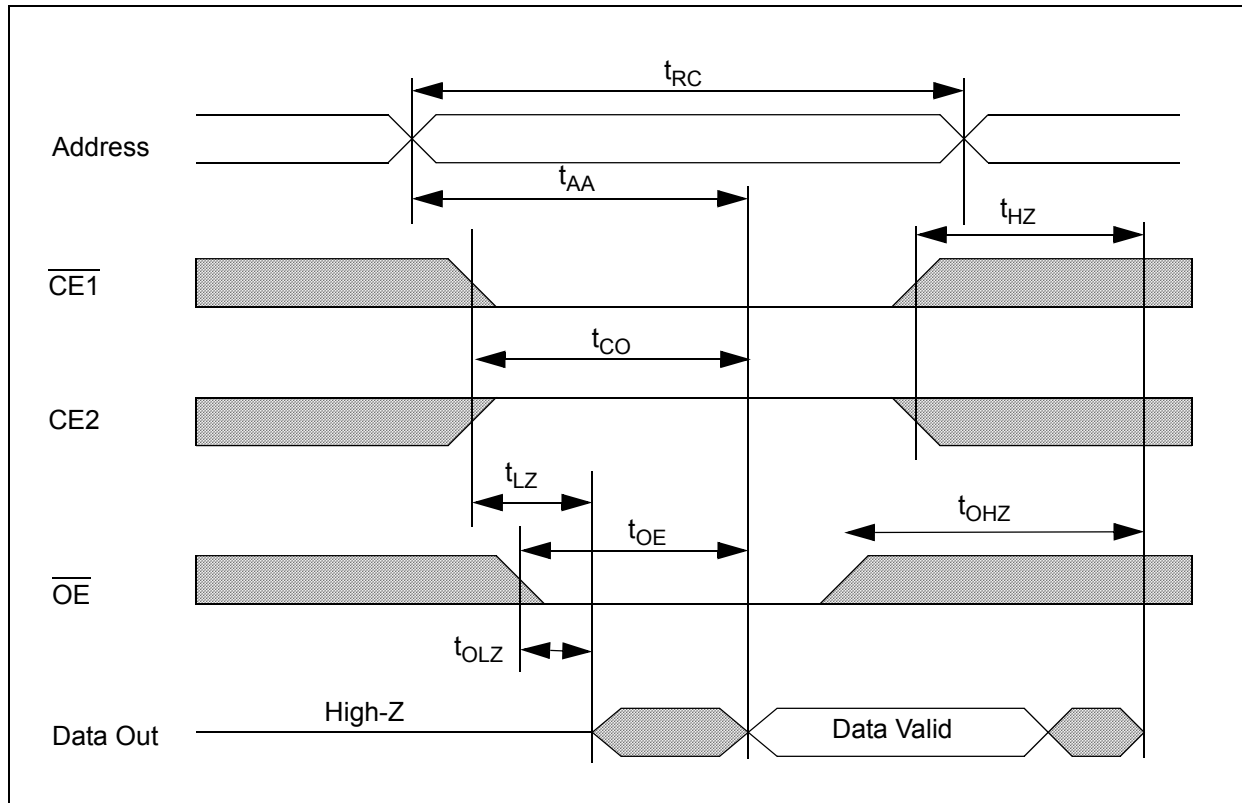
| Item                            | Symbol           | 2.3 - 3.6 V |      | 2.7 - 3.6 V |      | Units |
|---------------------------------|------------------|-------------|------|-------------|------|-------|
|                                 |                  | Min.        | Max. | Min.        | Max. |       |
| Read Cycle Time                 | t <sub>RC</sub>  | 70          |      | 55          |      | ns    |
| Address Access Time             | t <sub>AA</sub>  |             | 70   |             | 55   | ns    |
| Chip Enable to Valid Output     | t <sub>CO</sub>  |             | 70   |             | 55   | ns    |
| Output Enable to Valid Output   | t <sub>OE</sub>  |             | 35   |             | 30   | ns    |
| Chip Enable to Low-Z output     | t <sub>LZ</sub>  | 10          |      | 10          |      | ns    |
| Output Enable to Low-Z Output   | t <sub>OLZ</sub> | 5           |      | 5           |      | ns    |
| Chip Disable to High-Z Output   | t <sub>HZ</sub>  | 0           | 20   | 0           | 15   | ns    |
| Output Disable to High-Z Output | t <sub>OZH</sub> | 0           | 20   | 0           | 15   | ns    |
| Output Hold from Address Change | t <sub>OH</sub>  | 10          |      | 10          |      | ns    |
| Write Cycle Time                | t <sub>WC</sub>  | 70          |      | 55          |      | ns    |
| Chip Enable to End of Write     | t <sub>CW</sub>  | 50          |      | 45          |      | ns    |
| Address Valid to End of Write   | t <sub>AW</sub>  | 50          |      | 45          |      | ns    |
| Write Pulse Width               | t <sub>WP</sub>  | 40          |      | 32.5        |      | ns    |
| Address Setup Time              | t <sub>AS</sub>  | 0           |      | 0           |      | ns    |
| Write Recovery Time             | t <sub>WR</sub>  | 0           |      | 0           |      | ns    |
| Write to High-Z Output          | t <sub>WHZ</sub> |             | 20   |             | 15   | ns    |
| Data to Write Time Overlap      | t <sub>DW</sub>  | 40          |      | 30          |      | ns    |
| Data Hold from Write Time       | t <sub>DH</sub>  | 0           |      | 0           |      | ns    |
| End Write to Low-Z Output       | t <sub>OW</sub>  | 5           |      | 5           |      | ns    |

# N01L83W2A

## Timing of Read Cycle ( $\overline{CE1} = \overline{OE} = V_{IL}, \overline{WE} = CE2 = V_{IH}$ )

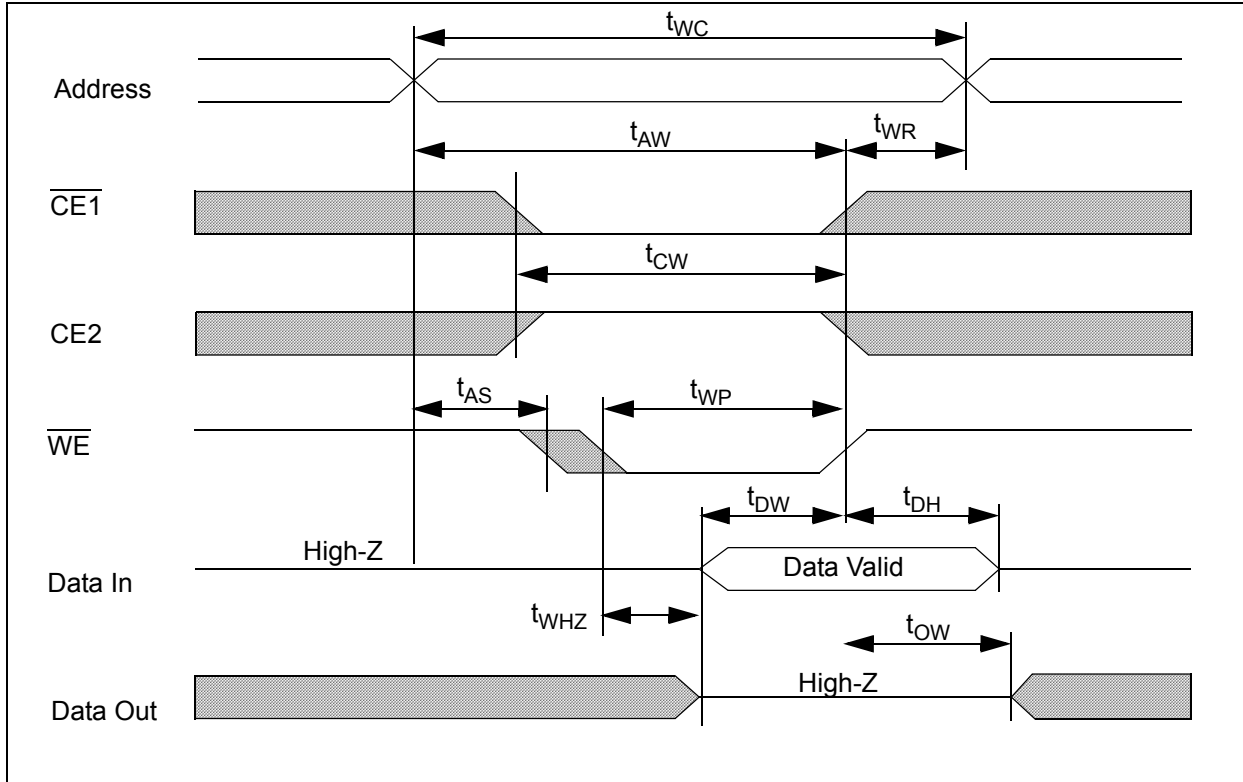


## Timing Waveform of Read Cycle ( $\overline{WE} = V_{IH}$ )

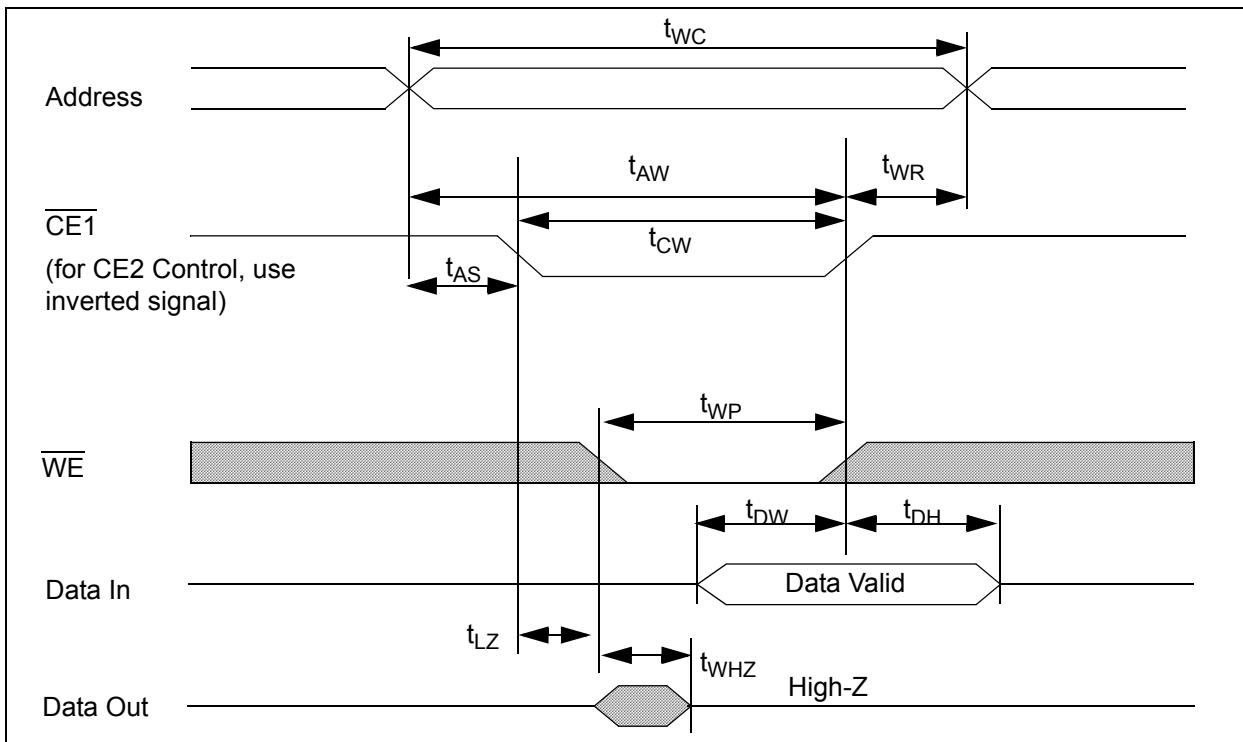


# N01L83W2A

## Timing Waveform of Write Cycle ( $\overline{\text{WE}}$ control)



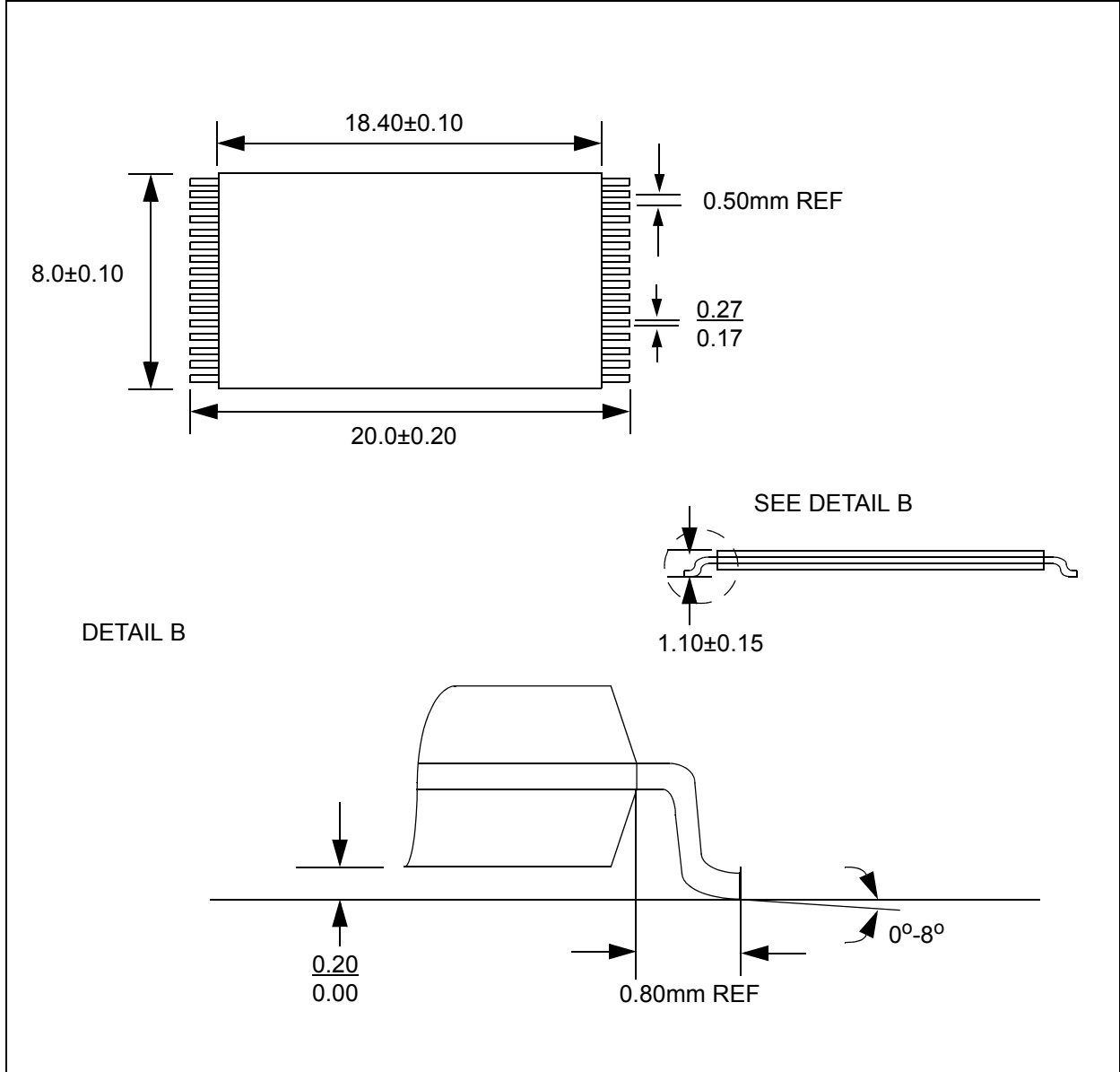
## Timing Waveform of Write Cycle ( $\overline{\text{CE1}}$ Control)





# N01L83W2A

## 32-Lead TSOP-I Package (T32)

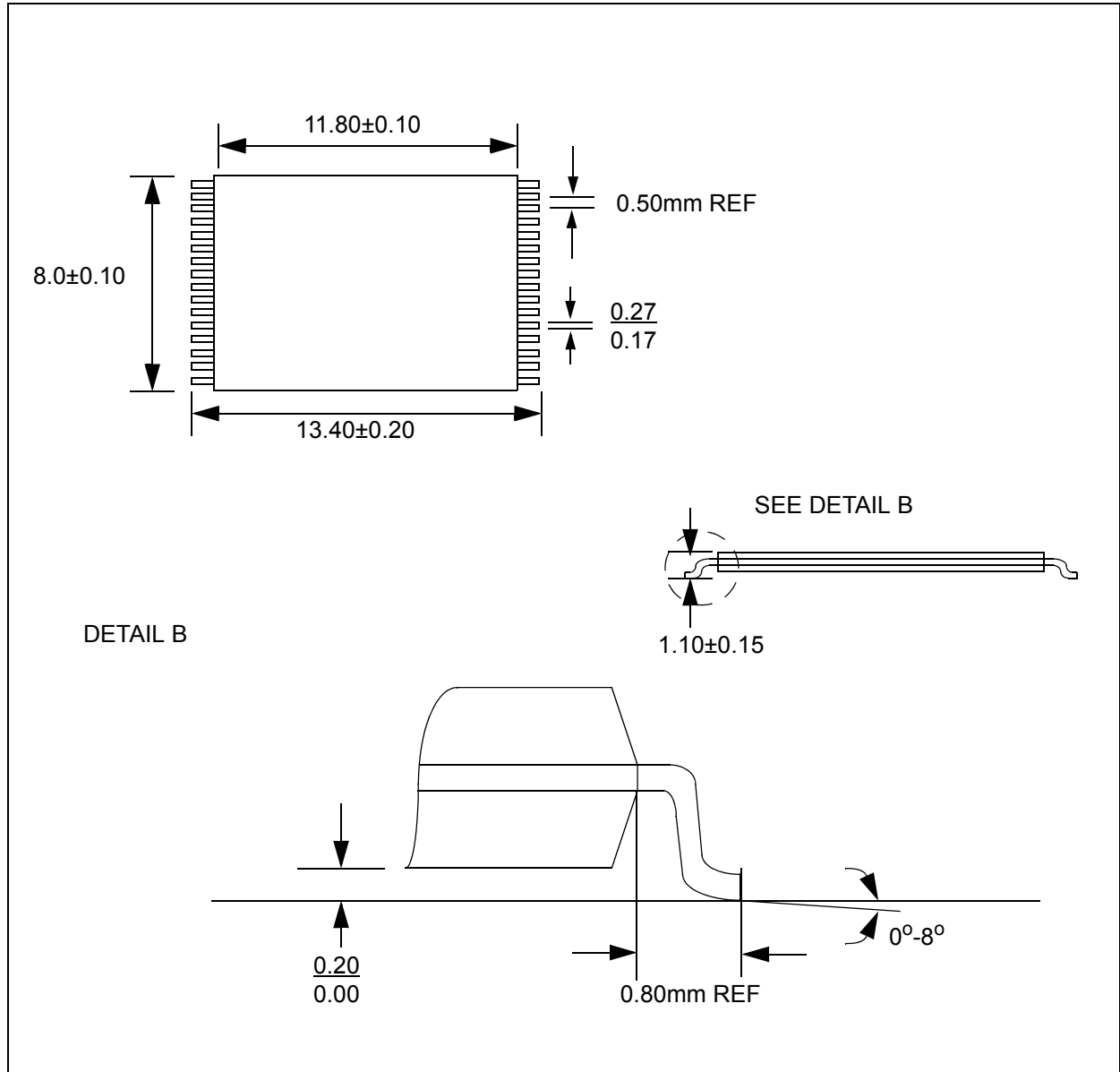


### Note:

1. All dimensions in millimeters
2. Package dimensions exclude molding flash

# N01L83W2A

## 32-Lead STSOP-I Package (N32)



### Note:

1. All dimensions in millimeters
2. Package dimensions exclude molding flash


# N01L83W2A

## Ordering Information

| Part Number    | Package           | Shipping Method |
|----------------|-------------------|-----------------|
| N01L83W2AT5I   | Leaded 32-TSOP I  | Tray            |
| N01L83W2AT25I  | Green 32-TSOP I   | Tray            |
| N01L83W2AN5I   | Leaded 32-sTSOP I | Tray            |
| N01L83W2AN25I  | Green 32-sTSOP I  | Tray            |
| N01L83W2AT5IT  | Leaded 32-TSOP I  | Tape & Reel     |
| N01L83W2AT25IT | Green 32-TSOP I   | Tape & Reel     |
| N01L83W2AN5IT  | Leaded 32-sTSOP I | Tape & Reel     |
| N01L83W2AN25IT | Green 32-sTSOP I  | Tape & Reel     |

## Revision History

| Revision # | Date           | Change Description   |
|------------|----------------|--|
| A          | Jan 2001       | Initial Advance Release  |
| B          | Mar 2001       | Added Table 3: Capacitance. Revised quiescent operating current, changed pin 31 to CE1, modified Pin Description and Pin Configuration, other minor edits  |
| C          | Dec. 2001      | Part number change from EM128L08, modified Overview and Features, added Page Mode Operation diagram and Package diagrams, revised Operating Characteristics table, Functional Description table, Timing diagrams, and Ordering Information diagram |
| D          | Nov. 2002      | Replaced Isb and Icc on Product Family table with typical values   |
| E          | Dec. 2002      | Add 32-pin SOP package   |
| F          | Aug, 2004      | Changed tWP to 32.5ns and tDW to 30ns for 55ns sort  |
| G          | Oct, 2004      | Added Green Package Option   |
| H          | Dec. 2005      | Added RoHS Compliant   |
| I          | September 2006 | Converted to AMI Semiconductor   |
| 10         | July 2008      | Converted to ON Semiconductor and new part numbers   |

ON Semiconductor and  are registered trademarks of Semiconductor Components Industries, LLC (SCILLC). SCILLC reserves the right to make changes without further notice to any products herein. SCILLC makes no warranty, representation or guarantee regarding the suitability of its products for any particular purpose, nor does SCILLC assume any liability arising out of the application or use of any product or circuit, and specifically disclaims any and all liability, including without limitation special, consequential or incidental damages. "Typical" parameters which may be provided in SCILLC data sheets and/or specifications can and do vary in different applications and actual performance may vary over time. All operating parameters, including "Typicals" must be validated for each customer application by customer's technical experts. SCILLC does not convey any license under its patent rights nor the rights of others. SCILLC products are not designed, intended, or authorized for use as components in systems intended for surgical implant into the body, or other applications intended to support or sustain life, or for any other application in which the failure of the SCILLC product could create a situation where personal injury or death may occur. Should Buyer purchase or use SCILLC products for any such unintended or unauthorized application, Buyer shall indemnify and hold SCILLC and its officers, employees, subsidiaries, affiliates, and distributors harmless against all claims, costs, damages, and expenses, and reasonable attorney fees arising out of, directly or indirectly, any claim of personal injury or death associated with such unintended or unauthorized use, even if such claim alleges that SCILLC was negligent regarding the design or manufacture of the part. SCILLC is an Equal Opportunity/Affirmative Action Employer. This literature is subject to all applicable copyright laws and is not for resale in any manner.

## PUBLICATION ORDERING INFORMATION

### LITERATURE FULFILLMENT:

Literature Distribution Center for ON Semiconductor  
PO Box 5163, Denver, Colorado 80217 USA  
Phone: 303-675-2175 or 800-344-3860 Toll Free USA/Canada  
Fax: 303-675-2176 or 800-344-3867 Toll Free USA/Canada  
Email: [orderlit@onsemi.com](mailto:orderlit@onsemi.com)

**N. American Technical Support:** 800-282-9855 Toll Free USA/Canada  
**Europe, Middle East & Africa Technical Support:** Phone 421-33-790-2910  
**Japan Customer Focus Center:** Phone 81-3-5773-3850

ON Semiconductor Website: [www.onsemi.com](http://www.onsemi.com)

Order Literature: <http://www.onsemi.com/orderlit>

For additional information, please contact your local Sales Representative