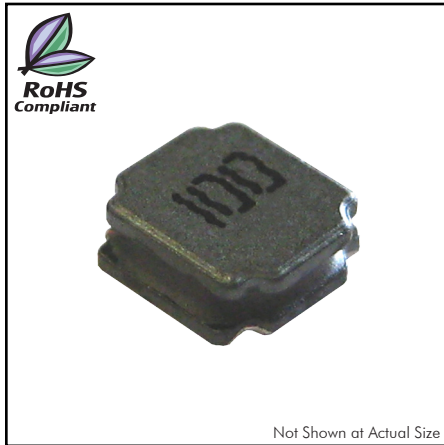


CTLVC5020F Series

From 1.0 μ H to 47 μ H



CHARACTERISTICS

Description: SMD power inductors sealed with magnetic resin.

Applications: Smart phones, DSC, Tablet PC's, DC/DC converters, etc.

Operating Temperature: -55°C to 125°C (including self - temperature rise)

Inductance Tolerance: $\pm 20\%$, $\pm 30\%$

Testing: Inductance is tested on an HP4284A at 100kHz, 1V

Packaging: Tape & Reel.

Marking: Parts are marked with inductance code.

Miscellaneous: **RoHS Compliant.**

Additional Information: Additional electrical & physical information available upon request.

Samples available. See website for ordering information.

SPECIFICATIONS

Please specify inductance tolerance code when ordering.

CTLVC5020F-2R2_ \leftarrow M = $\pm 20\%$, N = $\pm 30\%$

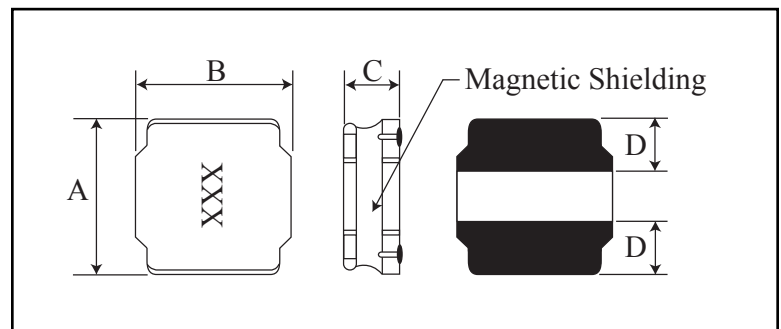
*Isat: DC current (A) that will cause L to drop approximately 30%.

**Irms: DC current (A) that will cause an approximate ΔT of 40°C.

Part Number	Inductance (μ H)	L Test Freq. (kHz)	DCR $\pm 20\%$ (m Ω)	*Isat Typ.(Max.) (A)	**Irms Typ.(Max.) (A)
CTLVC5020F-1R0N	1.0	100	21	5.1(4.59)	4.0(3.60)
CTLVC5020F-1R2N	1.2	100	21	4.8(4.32)	3.8(3.42)
CTLVC5020F-1R5N	1.5	100	26	4.2(3.78)	3.5(3.15)
CTLVC5020F-2R2_	2.2	100	35	3.4(3.06)	3.2(2.88)
CTLVC5020F-2R7_	2.7	100	38	3.05(2.70)	2.9(2.60)
CTLVC5020F-3R3_	3.3	100	48	3.0(2.70)	2.8(2.52)
CTLVC5020F-4R7_	4.7	100	60	2.2(1.98)	2.2(1.98)
CTLVC5020F-5R6_	5.6	100	82	2.05(1.84)	2.0(1.80)
CTLVC5020F-6R8_	6.8	100	90	2.0(1.80)	1.8(1.62)
CTLVC5020F-100_	10	100	120	1.6(1.44)	1.6(1.44)
CTLVC5020F-150_	15	100	190	1.3(1.17)	1.2(1.08)
CTLVC5020F-220_	22	100	260	1.0(0.90)	1.0(0.90)
CTLVC5020F-330_	33	100	460	0.8(0.72)	0.75(0.67)
CTLVC5020F-470_	47	100	580	0.65(0.58)	0.65(0.58)

PHYSICAL DIMENSIONS

Size	A	B	C	D
mm	5.0 \pm 0.2	5.0 \pm 0.2	2.0 \pm 0.2, -0.3	1.8 \pm 0.3
inches	0.197 \pm 0.008	0.197 \pm 0.008	0.079 \pm 0.008, -0.012	0.071 \pm 0.012



PAD LAYOUT

Unit: mm

